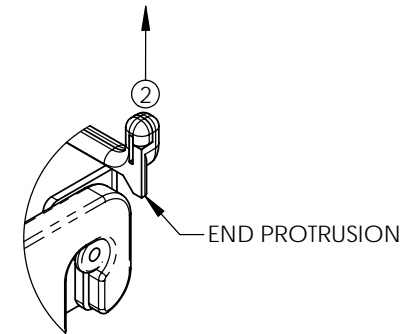
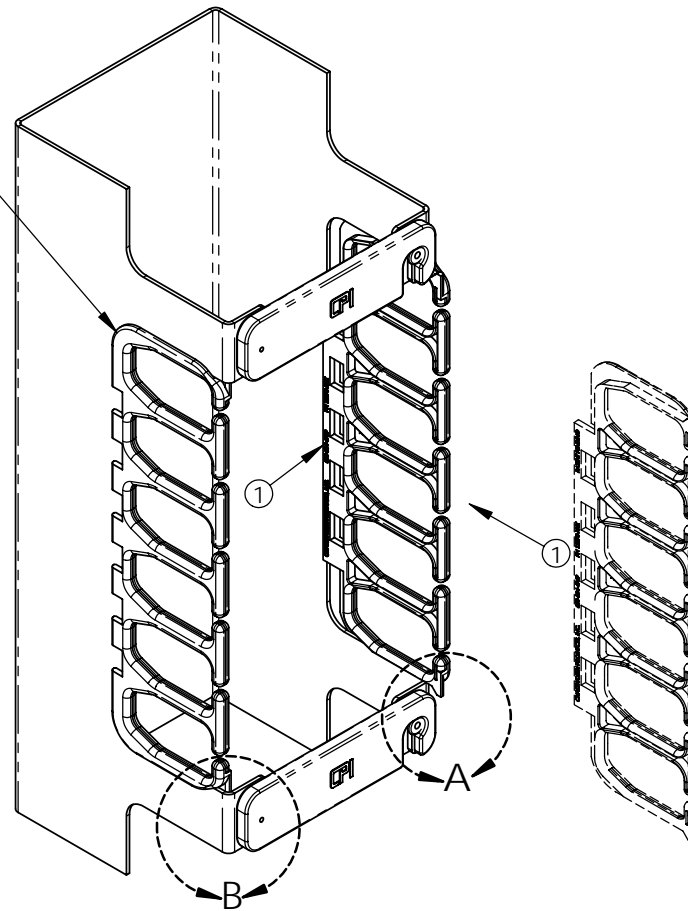
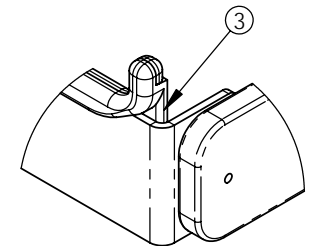


THIS FLANGE MUST BE ON OUTSIDE OF CABLING SECTION



DETAIL A



DETAIL B

REMOVING EXISTING EDGE PROTECTOR

1. REMOVE EXISTING EDGE PROTECTOR BY BENDING ONE END AWAY FROM THE EDGE SO THAT IT CLEARS THE BENT TAB.
2. PULL EDGE PROTECTOR TOWARDS THE FRONT TO REMOVE.

INSTALLING FINGER SNAPS

1. SLIDE FINGER SNAPS INTO OPENING UNTIL INSIDE FLANGE IS HOOKED OVER CABLING SECTION EDGE. THE FINGER SNAPS CAN NOW BE PUSHED IN UNTIL FULLY SEATED.
2. BEND THE END FINGERS TOWARDS THE INSIDE FINGERS UNTIL THE END PROTRUSIONS CLEAR THE BENT TABS OF THE CABLING SECTION. (SEE DETAIL A)
3. HOOK THE END PROTRUSIONS UNDER THE BENT TABS OF THE CABLING SECTION. (SEE DETAIL B)

CPI CHATSWORTH PRODUCTS, INC.

INSTALLATION INSTRUCTIONS,
FINGER SNAPS

THIS DRAWING CONTAINS INFORMATION PROPRIETARY TO CHATSWORTH PRODUCTS, INC. ANY REPRODUCTION DISCLOSURE OR USE OF THIS DRAWING IS EXPRESSLY FORBIDDEN EXCEPT AS AGREED TO IN WRITING BY CHATSWORTH PRODUCTS, INC.