

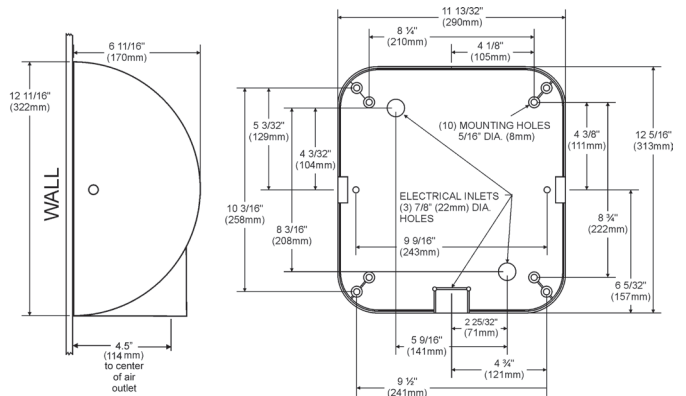
XLERATOR® HAND DRYER SPECIFICATIONS



*Note: Exclusive digital image technology allows for the addition of Company, School or Team logos with any color, design or a 'green message'

Suggested Mounting Heights From floor to Bottom of Dryer	
	Hand Dryers
Mens'	45" (114 cm)
Ladies'	43" (109 cm)
Teenagers'	41" (104 cm)
Sm. Children	35" (89 cm)
Handicapped	37" (94 cm)

Units are 1500 Watts and available as Specified in:			
110/120V	12.5 Amp	60 Hz	
208V	7.0 Amp	60 Hz	
220/240V	6.5 Amp	60 Hz	
277V	5.5 Amp	60 Hz	
220/240V	6.5 Amp	50 Hz	



**Dimensions: 11 3/4" lg. X 12 11/16" high x 6 11/16" deep
(298 mm lg. X 322 mm high x 170 mm deep)**

**Weight: XL-BW - 15 lbs. (6.80 kgs.) XL-SB 16 lbs. (7.26 kgs.)
XL-W, XL-GR, XL-C, XL-SI - 17 lbs. (7.71 kgs.)**

MECHANISM

- Motor shall be a thermally protected, series commutated, through-flow discharge vacuum motor/blower (5/8 hp / 20,000 rpm) which provides air velocity of up to 19,000 lfm (linear feet per minute) at the air outlet and 16,000 lfm at the hands (4 inches [102 mm] below air outlet).
- Heating element (970 w) is constructed of Nichrome wire and mounted inside the blower housing, thereby being vandal proof. It shall be protected by an automatic resetting thermostat, which shall open whenever air flow is cut off and shall close when flow of air is resumed. It shall produce an air temperature of up to 135°F (57°C) at a 72°F (22°C) ambient room temperature at the hands (4 inches [102 mm] below air outlet).
- Control assembly is activated by an infrared optical sensor located next to the air outlet. The dryer shall operate as long as hands are under the air outlet. There is a 35-second lockout feature if hands are not removed.

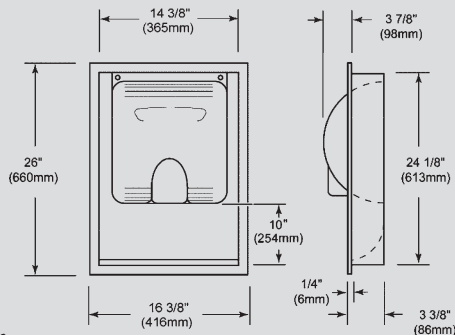
LIMITED WARRANTY

The dryer shall be guaranteed to be free from defects for a period of five (5) years. Warranty shall include labor performed at factory as well as the repair or exchange of defective parts, at manufacturer's option.

QUANTITY RECOMMENDATIONS

One dryer for every two washbasins is sufficient for most applications. If restroom traffic is unusually heavy, we suggest one dryer per washbasin in small installations and two dryers for every three washbasins in larger installations. When a 54" washfountain is used, we suggest four to five dryers.

Recess Kit - Meets ADA Protrusion Requirement of 4 inches (102 mm)



RECESS KIT (Optional)

**Dimensions: 16 3/8" wide x 26" high x 3 3/8" deep
(416 mm wide x 660 mm high x 86 mm deep)**
Weight: 11 lbs. (4.99 kgs.)

Note: Bottom of recessed wall box should be 10" (254 mm) below suggested mounting height for dryer (see chart).

XLERATOR® HAND DRYER CONSTRUCTION

- Cover shall be one of the following: **Die-cast zinc alloy** - One-piece, heavy-duty, rib-reinforced, lightweight, unbreakable, rustproof and all exposed surfaces shall be bright chrome plated or finished with chip-proof, electrostatically applied epoxy paint. **Bulk Molding Compound (BMC)** - White reinforced thermoset polymer. **Stainless Steel** - with a brushed finish. **Special Image** - Digital image applied to cover using patented Kolorfusion Sublimation Decoration process. All covers will be fastened to a wall plate by two chrome plated tamper-proof bolts.
- Wall plate shall be equipped with (3) 7/8" (22 mm) diameter holes, one of which shall be suitable for use with surface conduit, for ease of wiring.
- All internal parts shall be coated according to Underwriters' Laboratories, Inc. requirements.
- Entire mechanism shall be internally grounded.
- Optional recess kit includes a wall box (22 ga) and dryer mounting plate (16 ga) made from 18-8 Type 304 brushed stainless steel. A stainless steel tether is connected to the dryer mounting plate to hold the dryer in position when servicing.



Printed on recycled paper
Printed in the U.S.A.



EXCEL DRYER Inc.

357 Chestnut Street • P.O. Box 365
East Longmeadow, MA 01028 U.S.A.
Tel: (413) 525-4531, Fax: (413) 525-2853
Email: sales@exceldryer.com
www.exceldryer.com

