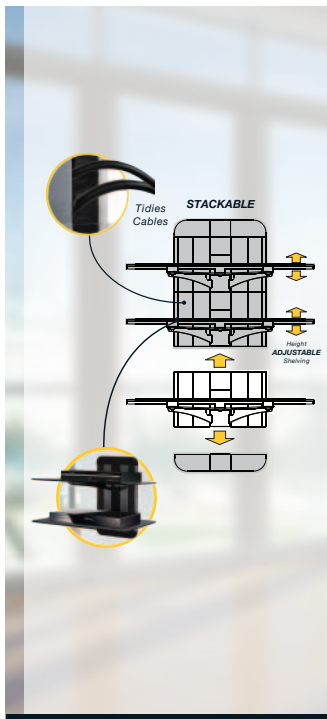


ZMS1200



ADJUSTABLE
2
SHELF



- Plaster Board ✓
- Dot & Dab ✓
- Concrete ✓
- Brick ✓
- Wood Studs ✓
- Metal Studs ✓



ANY WALL

TV & AV ACCESSORY SHELVING

Perfect for mounting components anywhere on any type of wall, you are no longer restricted by stud location. It is easy to install with a high strength tempered glass shelf. The modular/stackable design in a Metallic black and brushed aluminium finish, hides and manages unsightly cables. Compatible with AVF low profile paintable cable management.

Product Specification

Brand	AVF UNIMAX
Model	ZMS1200
Screen Size	N/A

Product Specification

Weight Capacity	10kg per shelf
VESA	N/A
Colour	Metallic Black

Packaging - Single Pack

Type	Full Colour Gift Box
Dimensions (L x W x H)	55cm x 40.5cm x 10.5cm
Weight	7.8kg
Barcode (EAN)	5014117001367

Packaging - Master Pack

Master Quantity	2
Dimensions (L x W x H)	57.5cm x 23cm x 25cm
Weight	16.8kg

www.anywall.tv

