

FRIGIDAIRE

GALLERY®



Top Mount Refrigerators

FGHT1832P F/P/E

18 Cu. Ft. Top Mount



Product Dimensions

| | |
|--|---------|
| Height (Including Hinges & Rollers) | 66-5/8" |
| Width | 30" |
| Depth | 30-1/8" |

More Easy-To-Use Features

Humidity-Controlled Crisper Drawers

Keep your fruits and vegetables fresh in our humidity-controlled crisper drawers.

Cool Zone™ Drawer

Clear Dairy Door

Attractive Stainless Steel Exterior¹

Reversible Door

Door can be installed to open left or right based on your needs.



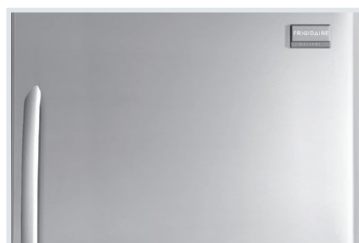
ENERGY STAR®

Signature Features



SpaceWise® Organization System

Our SpaceWise® Organization system makes it easy to keep food organized and easy to find when you need it.



Smudge-Proof™ Stainless Steel¹

Real Stainless Steel with a protective coating reduces fingerprints and smudges so it's easy to clean.



SpillSafe® Shelves

Designed to keep spills contained, making cleanup a breeze.



Bright Lighting

Our bright lighting makes it easy to see what's inside.

Available in:



Stainless
(F)



Pearl
(P)

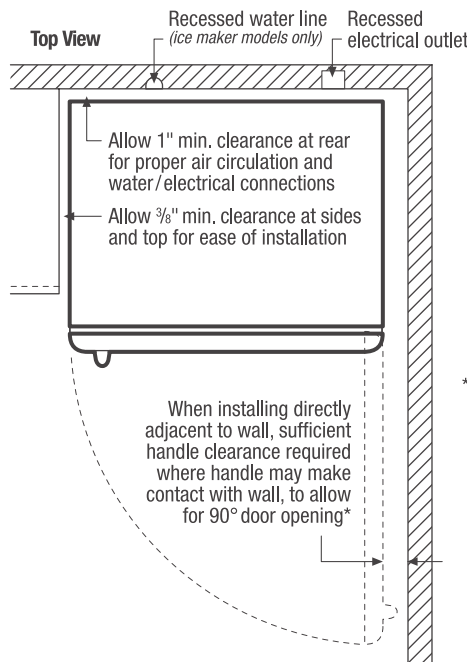
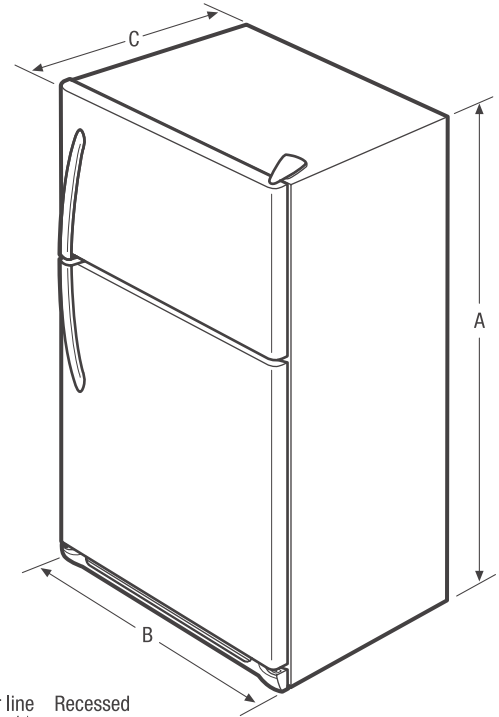


Ebony
(E)

¹Select models only.

| Features | |
|---|---|
| Door Design | UltraSoft™ |
| Door Handle Design | Stainless Steel (F), Color-Coordinated (P/E) |
| Cabinet Finish (Textured) | Grey (F), Color-Coordinated (P/E) |
| Door Stops | Yes |
| Door Hinge Covers | Grey (F), Color-Coordinated (P/E) |
| Door Reverse Option | Yes |
| Rollers - Front/Rear | Adjustable/Yes |
| Sound Package | Quiet Pack |
| Toe Grille | Grey (F), Color-Coordinated (P/E) |
| Refrigerator Features | |
| Interior Lighting | Designer |
| Refrigerator Shelves | 2 Sliding SpillSafe® Adjustable Glass |
| Cool Zone™ Drawer | 1 Full-Width Clear |
| Wine/Can Rack | |
| Store-More™ Crisper Drawers | 2 Clear |
| Humidity Controls | 2 |
| Dairy Compartment | Clear Dairy Door |
| Door Bins | 4 Adj. Half-Width Clear 1 Fixed Full-Width White |
| Door Racks | |
| Non-Slip Bin Liner | |
| Tall Bottle Retainers | |
| Gallon Door Storage | 4 |
| Freezer Features | |
| Door Bins | 2 Full-Width Clear |
| Door Racks | |
| Freezer Shelves | 1 Full-Width Wire |
| Factory Ice Maker w/ Large Ice Bin | Optional (PN# IM115) |
| Lighting | Yes |
| Certifications | |
| ENERGY STAR® | Yes |
| Specifications | |
| Total Capacity (Cu. Ft.) | 18.3 |
| Refrigerator Capacity (Cu. Ft.) | 14.2 |
| Freezer Capacity (Cu. Ft.) | 4.1 |
| Power Supply Connection Location | Right Bottom Rear |
| Water Inlet Connection Location | Bottom Right |
| Voltage Rating | 120V / 60Hz / 15 or 20A |
| Connected Load (kW Rating) @ 120 Volts¹ | .72 |
| Amps @ 120 Volts | 6.0 |
| Minimum Circuit Required (Amps) | 15 |
| Shipping Weight (Approx.) | 205 Lbs. |

¹For use on adequately wired 120V, dedicated circuit having 2-wire service with a separate ground wire. Appliance must be grounded for safe operation.



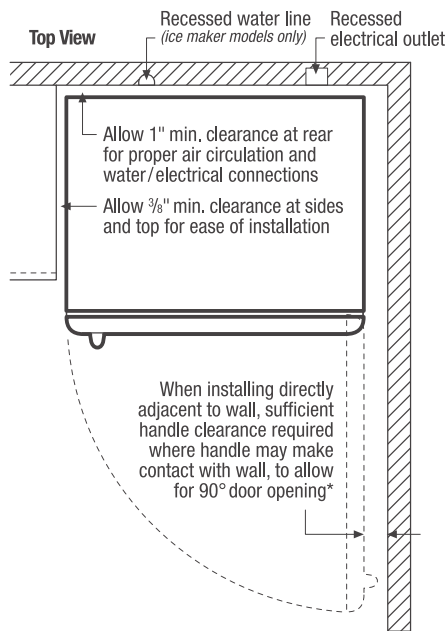
*When installing refrigerator adjacent to wall, cabinet or other appliance that extends beyond front edge of unit, 20" minimum clearance recommended to allow for optimum 140° door swing, providing complete crisper access and removal. (Absolute 3" minimum clearance will ONLY allow for 90° door swing which will provide limited crisper access with restricted removal.)

NOTE: For planning purposes only. Always consult local and national electric and plumbing codes. Refer to Product Installation Guide for detailed installation instructions on the web at frigidaire.com.

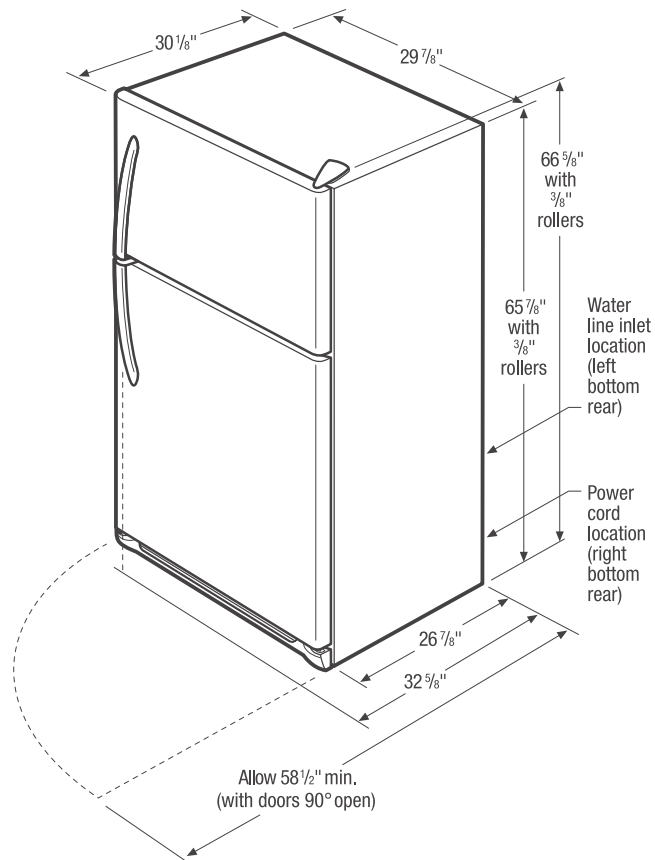


| Product Dimensions | |
|-------------------------------------|---------|
| A - Height (Incl. Hinges & Rollers) | 66-5/8" |
| B - Width | 30" |
| C - Depth (Incl. Door) | 30-1/8" |
| Depth with Door Open 90° | 58-1/2" |

Accessories information available on the web at frigidaire.com



* When installing refrigerator adjacent to wall, cabinet or other appliance that extends beyond front edge of unit, 20" minimum clearance recommended to allow for optimum 140° door swing, providing complete crisper access and removal. (Absolute 3" minimum clearance will ONLY allow for 90° door swing which will provide limited crisper access with restricted removal.)



Top Mount Refrigerator Specifications

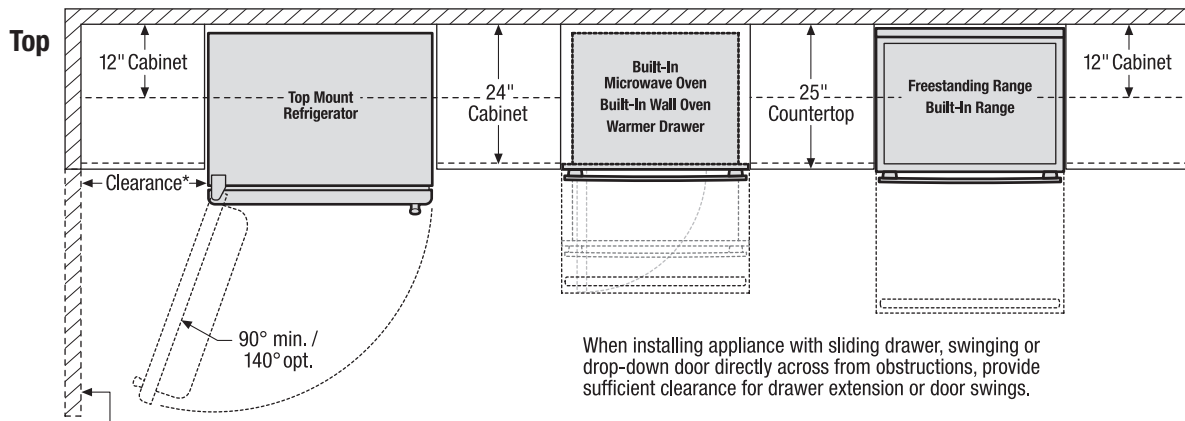
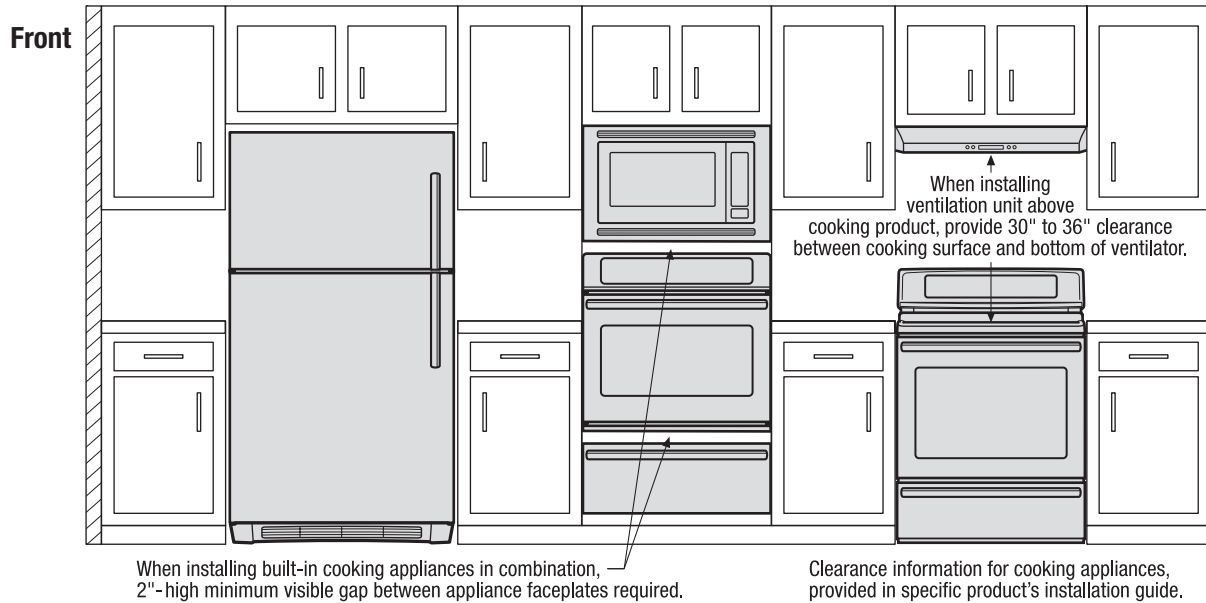
- Product Shipping Weight (approx.) - 205 Lbs.
- An electrical supply with grounded three-prong receptacle is required. The power supply circuit must be installed in accordance with current edition of National Electrical Code (NFPA 70) and local codes & ordinances.
- Voltage Rating - 120V/60 Hz/15 or 20 Amps
- Connected Load (kW Rating) @ 120 Volts = .72kW
- Amps @ 120 Volts = 6.0 Amps
- Always consult local and national electric & plumbing codes.
- Floor should be level surface of hard material, capable of supporting fully loaded refrigerator.
- Minimum 3/8" clearance required for sides and top of refrigerator with 1" clearance at rear to allow for ease of installation, proper air circulation, and plumbing/electrical connections.
- When installing refrigerator adjacent to wall, cabinet or other appliance that extends beyond front edge of unit, 20" minimum clearance recommended to allow for optimum 140° door swing, providing complete crisper access and removal. (Absolute 3" minimum clearance will ONLY allow for 90° door swing which will provide limited crisper access with restricted removal.)
- To ensure optimum performance, do not install in areas where temperature drops below 55° F or rises above 110° F and avoid installing in direct sunlight or close proximity to range, dishwasher or other heat source.
- For proper ventilation, front grille MUST remain unobstructed.
- Recess electrical outlet when possible.
- Optional Ice Maker Kit (PN# IM115) available for installation in ice maker-ready models only.
- Water recess on rear wall recommended to prevent water line damage.
- Water Pressure - Cold water line must provide between 30 and 100 pounds per square inch (psi).
- Copper tubing with 1/4" O.D. recommended for water supply line with length equal to distance from rear of unit to household water supply line plus 7 additional feet. Optional Water Supply Installation Kits available.
- Adjustable front rollers to assist with door alignment.

Note: For planning purposes only. Refer to Product Installation Guide on the web at frigidaire.com for detailed instructions.

Optional Accessories

- Ice Maker Kit - (PN# IM115)

Use these dimensions and clearance instructions for planning purposes only. For detailed installation instructions, refer to installation guide, packed with product, or on the web at frigidaire.com.



*When installing top mount refrigerator adjacent to wall, cabinet or other appliance that extends beyond front edge of unit, 20" minimum clearance recommended to allow for optimum 140° door swing, providing complete crisper access and removal. (Absolute 3" minimum clearance will ONLY allow for 90° door swing which will provide limited crisper access with restricted removal.)

