

# 30" ELECTRIC RANGE INSTALLATION INSTRUCTIONS



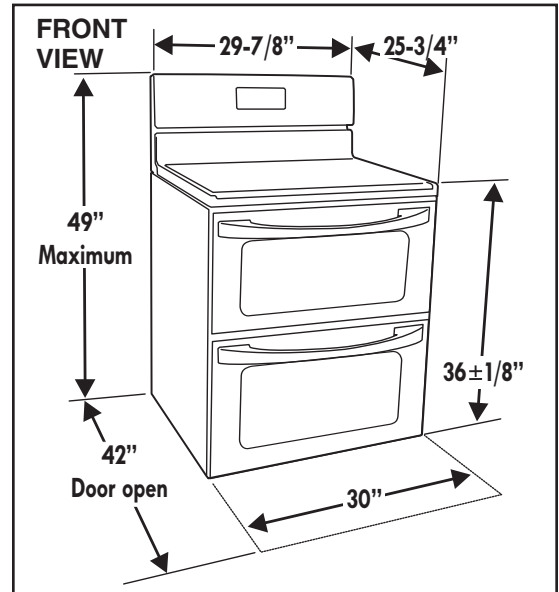
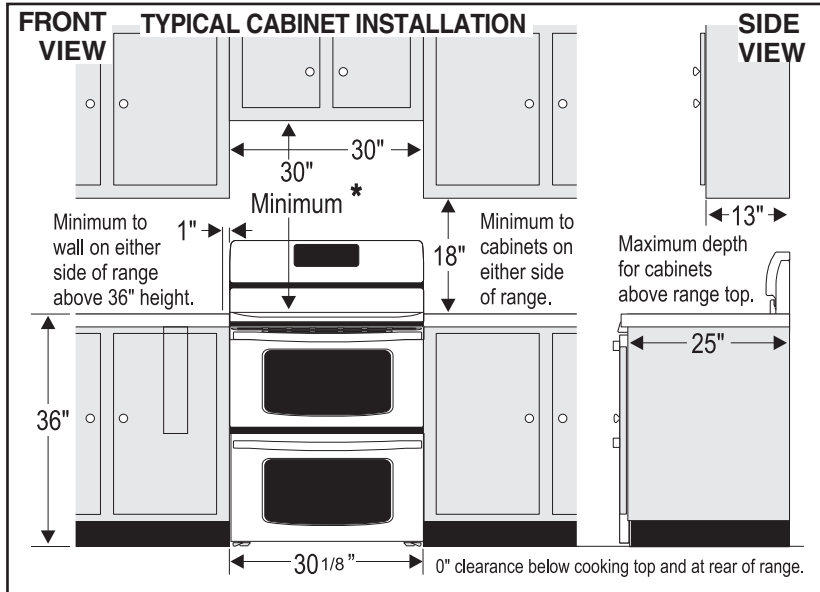
United States

**INSTALLATION AND SERVICE MUST BE PERFORMED BY A QUALIFIED INSTALLER. IMPORTANT: SAVE FOR LOCAL ELECTRICAL INSPECTOR'S USE. READ AND SAVE THESE INSTRUCTIONS FOR FUTURE REFERENCE.**

**⚠ WARNING FOR YOUR SAFETY: Do not store or use gasoline or other flammable vapors and liquids in the vicinity of this or any other appliance.**

## 1. Clearances and Dimensions

- Provide adequate clearances between the range and adjacent combustible surfaces.
- Location—Check location where the range will be installed. Check for proper electrical supply and the stability of floor.
- Dimensions that are shown must be used. Given dimensions provide minimum clearance. Contact surface must be solid and level.



\* 30" minimum clearance between the top of the cooking surface and the bottom of an unprotected wood or metal cabinet; or 24" minimum when bottom of wood or metal cabinet is protected by not less than 1/4" flame retardant millboard covered with not less than no. 28 MSG sheet steel, 0.015" stainless steel, 0.024" aluminum or 0.020" copper. The minimum clearance is 0" for the rear of the range. Follow all dimension requirements provided above to prevent property damage, potential fire hazard, and incorrect countertop and cabinet cuts.

**Avoid locating cabinet storage space above the surface units to eliminate the possibility of cabinets catching on fire, or personal burns from reaching for the cabinets over the heated units. If cabinet storage is to be provided, risk can be reduced by installing a range hood that projects horizontally a minimum of 5" beyond the bottom of the cabinets.**

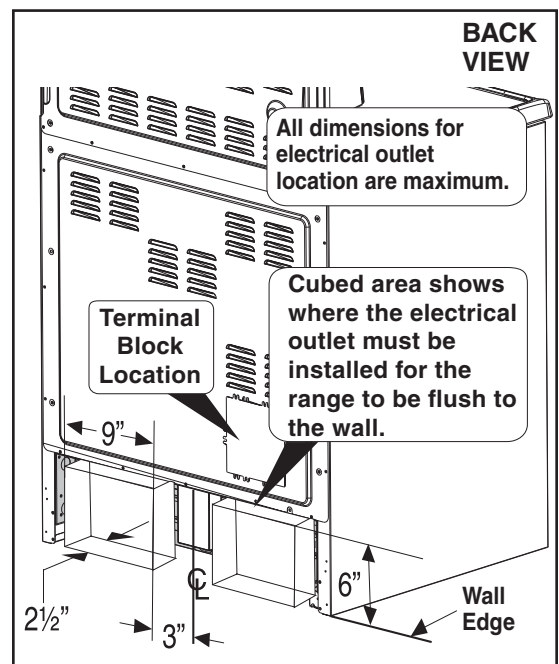
### Important Notes to the Installer

- Read all instructions contained in these installation instructions before installing the appliance.
- Remove all packing material before connecting the electrical supply to the appliance.
- Observe all governing codes and ordinances.
- Be sure to leave these instructions with the consumer.

### Important Note to the Consumer

Keep these instructions with your Use and Care Guide for future reference.

Printed in Canada


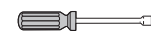
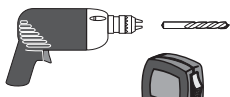



318201737 (1201) Rev. A

# 30" ELECTRIC RANGE INSTALLATION INSTRUCTIONS

## 2. Tools You Will Need


For leveling legs and Anti-Tip Bracket:

- Adjustable wrench or channel lock pliers 
- 5/16" Nutdriver or Flat Head Screwdriver 
- Electric Drill & 1/8" Diameter Drill Bit (Masonry Drill Bit if installing in concrete) 
- Level & Measuring Tape 

For electrical supply connection:

- 1/4" & 3/8" Socket driver or Nutdriver 

Additional Materials You Will Need:

- Power Supply Cord or 
- Copper Electrical Wiring & Metal Conduit (for hard wiring)

## 3. Anti-tip Bracket Installation Instructions

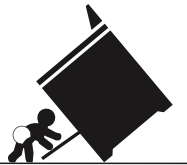
### Important Safety Warning

To reduce the risk of tipping of the range, the range must be secured to the floor by the properly installed anti-tip bracket and screws packed with the range. Failure to install the anti-tip bracket will allow the range to tip over if excessive weight is placed on an open door or if child climbs upon it. Serious injury might result from spilled hot liquids or from the range itself.

If range is ever moved to a different location, the anti-tip brackets must also be moved and installed with the range.

Instructions are provided for installation in wood or cement floor. When fastening to floor, be sure that screws do not penetrate electrical wiring or plumbing.

### **! WARNING** Tip Over Hazard



- A child or adult can tip the range and be killed.
- Verify the anti-tip device has been installed to floor or wall.

- Ensure the anti-tip device is re-engaged to floor or wall when the range is moved.
- Do not operate the range without the anti-tip device in place and engaged.
- Failure to follow these instructions can result in death or serious burns to children and adults.

## A. Locate the Bracket Using the Template -

Locate the bracket position (right or left side) by placing the template symmetrically to the center of the final range position. Mark the location of the screw holes, shown on template.

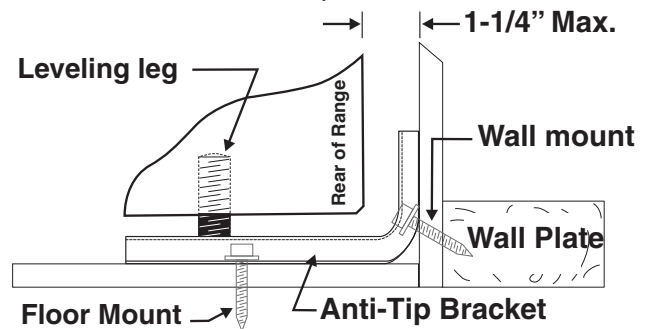


Figure 1

## B. Drill Pilot Holes and Fasten Bracket -

Drill a 1/8" pilot hole where screws are to be located. If bracket is to be mounted to the wall, drill pilot hole at an approximate 20° downward angle. If bracket is to be mounted to masonry or ceramic floors, drill a 3/16" pilot hole 1-3/4" deep. The screws provided may be used in wood or concrete material. Use a 5/16" nut-driver or flat head screwdriver to secure the bracket in place.

### FASTEN BRACKET (WALL OR FLOOR MOUNTING)



### FASTEN BRACKET (FLOOR MOUNTING ONLY)

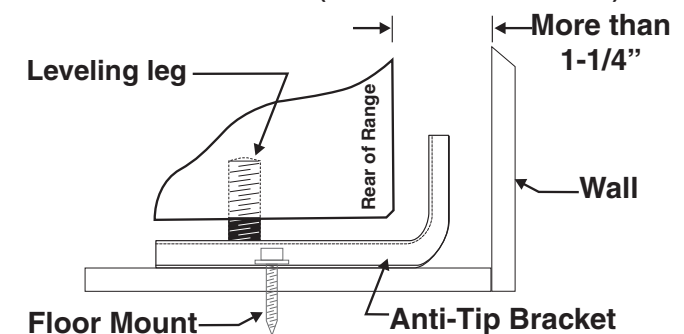


Figure 2

# 30" ELECTRIC RANGE INSTALLATION INSTRUCTIONS

**C. Level and position the range** - Slide range to its final position. Insert the range leveling leg in the anti-tip bracket. Visually verify if the anti-tip bracket is engaged. Lower the range by adjusting the 4 leveling legs alternatively until the range is level. Check if the range is level by placing a spirit level on the oven rack. Take 2 readings with the spirit level placed diagonally; take a reading in one direction and then in the other direction. Level the range if necessary by adjusting the leveling legs.

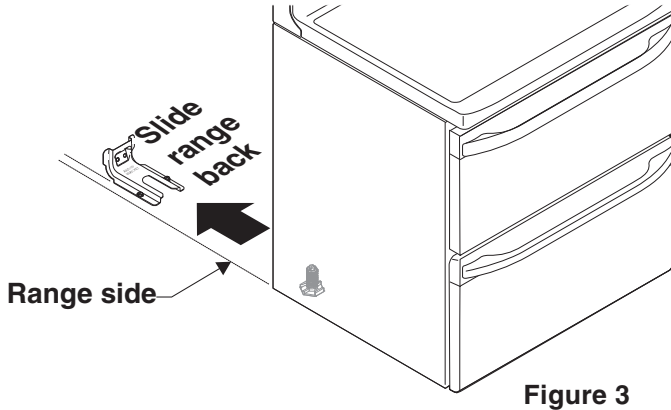


Figure 3

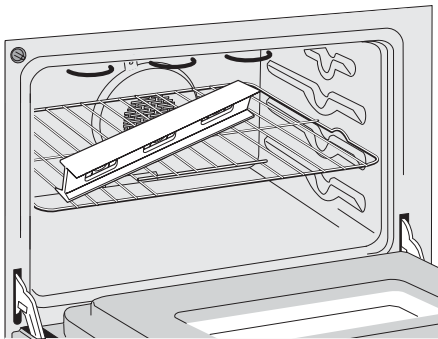


Figure 4

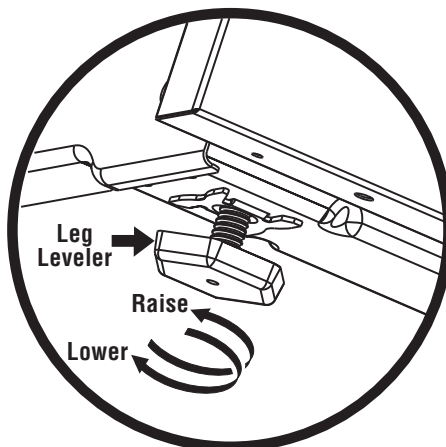


Figure 5

To check if the anti-tip bracket is installed properly, use both arms and grasp the rear edge of range back. Carefully attempt to tilt range forward. When properly installed, the range should not tilt forward.

## 4. Serial Plate Information

The serial plate is located as shown. See the serial plate for the following information:

- A. Model, lot and serial number of range.
- B. Kilowatt rating (power requirements).
- C. Voltage ratings.



Figure 6

# 30" ELECTRIC RANGE INSTALLATION INSTRUCTIONS

## 5. Electrical Connection Requirements

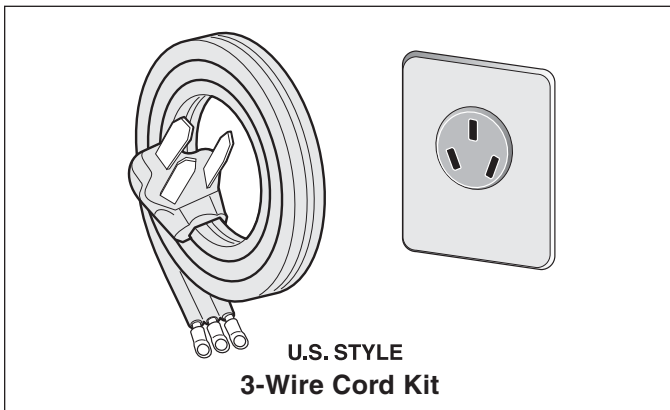
This appliance must be properly installed and grounded by a qualified technician in accordance with the National Electrical Code ANSI/NFPA No. 70--latest edition--and local electrical code requirements.

This appliance may be connected by means of permanent "Hard Wiring" or "Power Supply Cord Kit."

When hard wiring, do not leave excess wire in range compartment. Excess wire in the range compartment may not allow the access cover to be replaced properly, and could create a potential electrical hazard if wires become pinched. When using flexible conduit or range cable, use flex connector or range cable strain relief.

**NOTE:** Only use copper wire in connection to terminal block.

### 5.1 Models Requiring Power Supply Cord Kit



The user is responsible for connecting the power supply cord to the connection block located behind the back panel access cover.

This appliance may be connected by means of permanent "hard wiring"; flexible armored or nonmetallic shielded copper cable (when local code allow it) or by means of a power supply cord kit.

**NOTE:** Electric Slide-in Range is shipped from factory with 1 1/8" (2.9 cm) dia. hole as shown on figure 4. If a larger hole is required, punch out the knockout.

**⚠ WARNING** Risk of fire or electrical shock exists if an incorrect size range cord kit is used, the Installation Instructions are not followed, or the strain relief bracket is discarded.

For mobile homes, new installations or recreational vehicles, use only a power supply kit designed for a range at 125V/250V 50A recommended (minimum 40A). Cord must have either 3 (when local code permits grounding through neutral) or 4 conductors. Terminal on end of wires must be either closed loop or open spade lug with upturned ends. Cord must have strain-relief clamp. If a 50A circuit is used, a 50A power cord must be used.

**⚠ CAUTION** Do not loosen the nuts which secure the factory-installed range wiring to terminal block while connecting range. Electrical failure or loss of electrical connection may occur.

## ⚠ WARNING

### Electrical Shock Hazard

- Electrical ground is required on this appliance.
- Do not connect to the electrical supply until appliance is permanently grounded.
- Disconnect power to the circuit breaker or fuse box before making the electrical connection.
- This appliance must be connected to a grounded, metallic, permanent wiring system, or a grounding connector should be connected to the grounding terminal or wire lead on the appliance.

Failure to do any of the above could result in a fire, personal injury or electrical shock.

**⚠ WARNING** This appliance is manufactured with the frame grounded by connection of a grounding strap between the neutral power supply terminal and the frame. If used in USA, in a new branch circuit installation (1996 NEC), mobile home or recreational vehicle, where local code do not permit grounding through neutral (white) wire or in Canada; remove the grounding strap from the frame and cut the other end, near the neutral terminal. Connect the appliance in usual manner.

# 30" ELECTRIC RANGE INSTALLATION INSTRUCTIONS

## Three Conductor Wire Connection to Range

If local codes permit connection of the frame grounding conductor to the neutral wire of the copper power supply cord (see Figure 6):

1. Remove the screws from the access plate at the lower right end of the rear cover to expose range terminal connection block.
2. Using the nuts supplied in the literature package, connect the neutral of the copper power supply cord to the center silver-colored terminal of the terminal block, and connect the other wires to the outer terminals. Match wires and terminals by color (red wires connected to the right terminal, black wires connected to the left terminal) (see figure 6).
3. Replace the terminal cover and replace the screws.

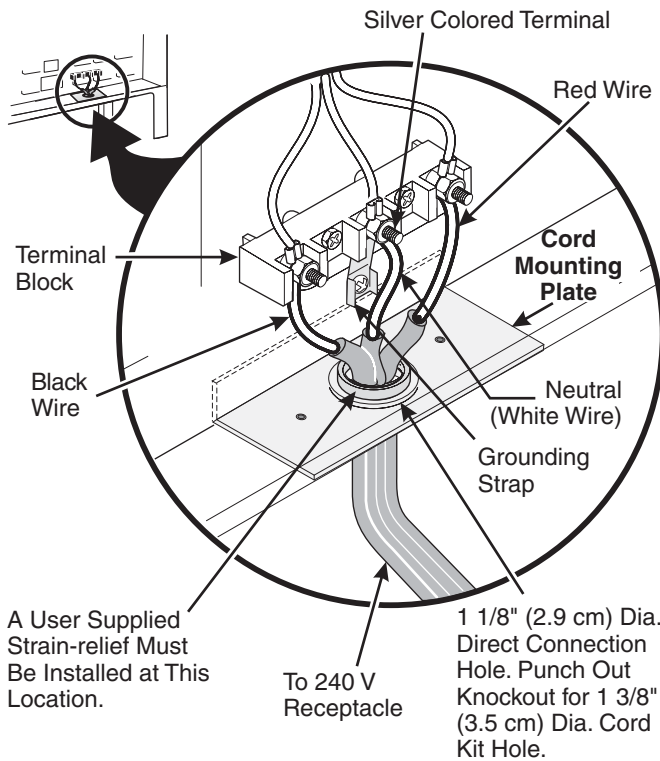
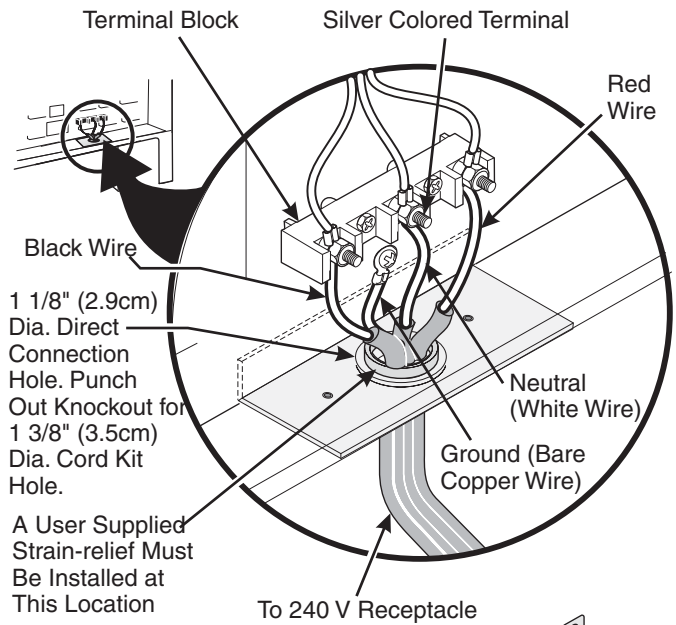


Figure 6

## Four Conductor Wire Connection to Range

Where local codes does NOT permit connection of the frame grounding conductor to the neutral wire of the copper power supply cord (see Figure 7):

1. Remove the screws from the access plate at the lower right end of the rear cover to expose range terminal connection block.
2. Remove the grounding strap from the terminal block and from the appliance frame.
3. Using the nuts supplied with the literature package, connect the ground wire (green) of the copper power supply cord to the frame of the appliance with the ground screw, using the hole in the frame where the ground strap was removed (see Figure 7).
4. Connect the neutral of the copper power supply cord to the center silver-colored terminal of the terminal block, and connect the other wires to the outer terminals. Match wires and terminals by color (red wires connected to the right terminal, black wires connected to the left terminal).
5. Replace the terminal cover and replace the screws.



**NOTE:** Be sure to remove the supplied grounding strap.

Figure 7

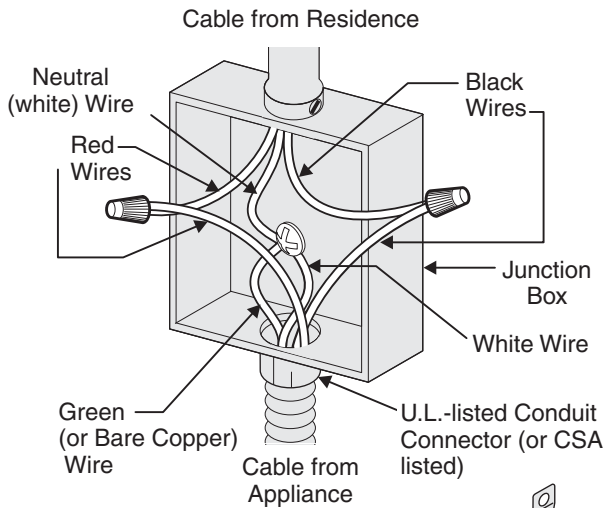
# 30" ELECTRIC RANGE INSTALLATION INSTRUCTIONS

## Direct Electrical Connection to the Circuit Breaker, Fuse Box or Junction Box

If the appliance is connected directly to the circuit breaker, fuse box or junction box, use flexible, armored or nonmetallic sheathed copper cable (with grounding wire). Supply a U.L. listed strain-relief at each end of the cable. At the appliance end, the cable goes through the Direct Connection Hole (see Figure 7) on the Cord Mounting Plate. Wire sizes (copper wire only) and connections must conform to the rating of the appliance.

### Where local codes permit connecting the appliance-grounding conductor to the neutral (white) wire (see Figure 8):

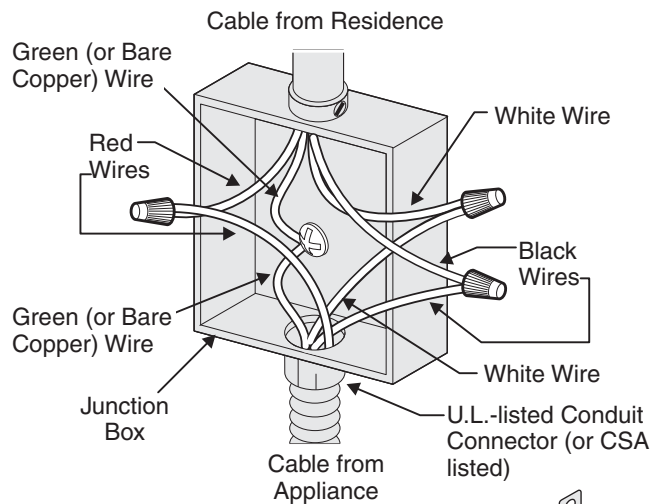
1. Be sure that no power is supplied on the cable from residence.
2. Follow instructions on previous page for Four Conductor Wire Connection to Range (Fig. 7).
3. In the circuit breaker, fuse box or junction box (Fig. 8):
  - a) Connect the green (or bare copper) wire, the white appliance cable wire, and the neutral (white) wire together.
  - b) Connect the 2 black wires together.
  - c) Connect the 2 red wires together.



**Figure 8**  
3-Wire (Grounded Neutral) Electrical System  
(Example: Junction Box)

### Where local codes DO NOT permit connecting the appliance-grounding conductor to the neutral (white) wire, or if connecting to 4-wire electrical system (see Figure 9):

1. Be sure that no power is supplied on the cable from residence.
2. Follow instructions on previous page for Four Conductor Wire Connection to Range (Fig. 7).
3. In the circuit breaker, fuse box or junction box (Fig. 9):
  - a) Connect the white appliance cable wire to the neutral (white) wire.
  - b) Connect the 2 black wires together.
  - c) Connect the 2 red wires together.
  - d) Connect the green (or bare copper) grounding wire to the grounding wire of the circuit breaker, fuse box or junction box.



**Figure 9 – 4-Wire Electrical System**  
(Example: Junction Box)

## 7. Checking Operation

Refer to the **Use and Care Guide** for operation.

**CAUTION** Do not touch cooktop glass or elements. They may be hot enough to burn you.

## Before You Call for Service

Read the Before You Call for Service Checklist and operating instructions in your **Use and Care Guide**. It may save you time and expense. The list includes common occurrences that are not the result of defective workmanship or materials in this appliance.

# INSTRUCCIONES PARA INSTALACIÓN DE LA ESTUFA ELÉCTRICA DE 30"



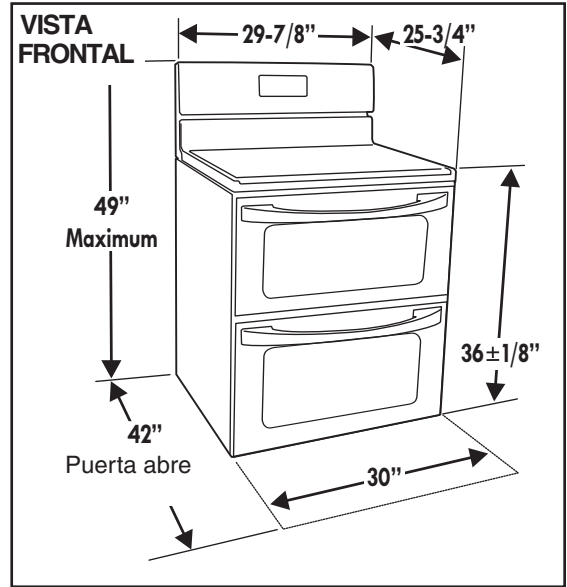
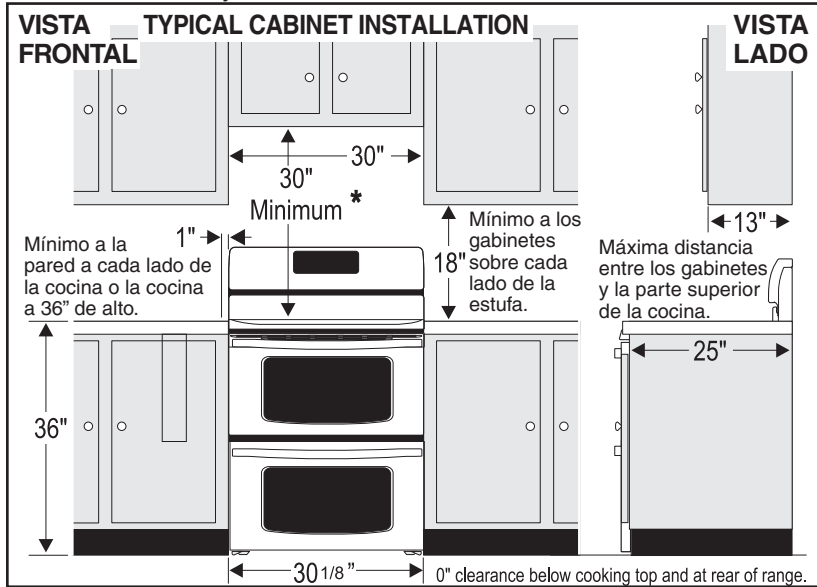
Estados Unidos

**LA INSTALACIÓN Y EL SERVICIO DEBEN SER EFECTUADOS POR UN INSTALADOR CALIFICADO. IMPORTANTE: GUARDE ESTAS INSTRUCCIONES PARA USO DEL INSPECTOR LOCAL DE ELECTRICIDAD. LEA Y GUARDE ESTAS INSTRUCCIONES PARA REFERENCIA FUTURA.**

**! WARNING PARA SU SEGURIDAD: No almacene ni utilice gasolina u otros vapores y líquidos inflamables en la proximidad de este o de cualquier otro artefacto.**

## 1. Espacios y dimensiones:

- Proporcione espacios adecuados entre la estufa y las superficies combustibles adyacentes.
- Ubicación—Examine el lugar en el cual va a ser instalada la estufa. Determine la existencia de suministro eléctrico adecuado y la estabilidad del piso.
- Se deben usar las medidas indicadas. Las dimensiones indicadas proporcionan espacio mínimo. La superficie de contacto debe ser sólida y estar a nivel.

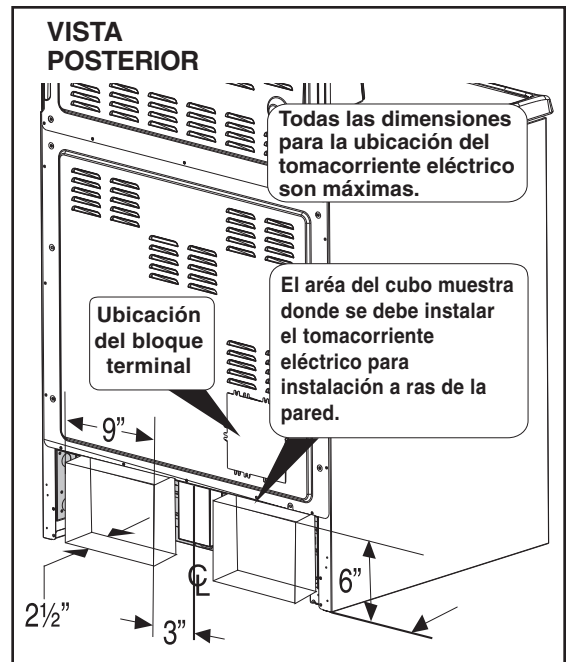


\* Un mínimo de 30" de espacio entre la parte superior de la superficie para estufa y el fondo no protegido de un gabinete de metal o madera; o un mínimo de 24" cuando el fondo de metal o madera del gabinete esta protegido por no menos de 1/4" de material retardante, con una hoja de acero de no menos MSG No.28, 0.015" de acero inoxidable, 0.024" de aluminio o 0.020" de cobre. 0" es el espacio mínimo para la parte trasera de la estufa. Siga todos los requerimientos de medidas antes proporcionados para evitar daños a la propiedad: peligro de encendidos potenciales o superficies y cortes de gabinetes que sean incorrectos.

**Para eliminar el riesgo de quemaduras o incendio cuando trate de alcanzar objetos por sobre unidades de superficie calentadas, debe evitarse que los gabinetes para almacenamiento están localizados encima de la superficie de la estufa. Si existen gabinetes de almacenamiento, el riesgo puede ser reducido instalando una campana de estufa que se proyecte en forma horizontal a una distancia mínima de 5" mas allá del fondo de los gabinetes.**

### Notas importantes para el instalador

- Lea todas las instrucciones contenidas en este manual antes de instalar la estufa.
- Saque todo el material usado en el embalaje de la estufa antes de conectar el suministro eléctrico a la estufa.
- Observe todos los códigos y reglamentos pertinentes.
- Deje estas instrucciones con el consumidor.



### Nota importante al consumidor

Conserve estas instrucciones y el Manual del usuario para referencia futura.

# INSTRUCCIONES PARA INSTALACIÓN DE LA ESTUFA ELÉCTRICA DE 30"

## 2. Herramientas que va a necesitar

### Para patas de nivelación y montura anti-vuelco:

- Llave ajustable o alicates
- Llave para apretar tuercas de 5/16" o un destornillador de cabeza plana
- Taladro eléctrico y una broca de 1/8" (broca de taladro de hormigón de 5/32" si se instala sobre hormigón)

- Nivel & Cinta de medición

### Para la conexión del suministro eléctrico:

- Llave de boca tubular o llave para tuercas de 1/4" y 3/8"

### Materiales adicionales necesarios

- Cordón eléctrico o
- Alambre eléctrico de cobre y conducto metálico (para alambrado permanente)

## 3. Instrucción para la instalación del braquete anti-basculante

### Nota importante de seguridad

Para reducir el riesgo de inclinación de la cocina, ésta debe ser asegurada hacia el piso con las fijaciones de anti-inclinación y los tornillos que vienen con la cocina. Si no instala las fijaciones, corre el riesgo que su cocina pueda inclinarse si pone demasiado peso sobre la puerta abierta o si un niño sube sobre ésta. Esto podría ocasionar graves lesiones causadas por derrames de líquidos calientes o por la propia cocina.

Si la cocina es trasladada a otro lugar, las fijaciones de anti-inclinación deben también ser trasladadas e instaladas con la cocina.

Las instrucciones provistas sirven para instalación en suelo de madera o concreto. Al fijar los tornillos al suelo, asegúrese que no atraviesen la instalación eléctrica o de fontanería.

### **ADVERTENCIA** Riesgo de volcamiento



- Un niño o adulto puede volcar la estufa y acabar muerto.
- Verifique que se haya instalado el dispositivo antivuelco en el piso o en la pared.
- Asegúrese de que el dispositivo antivuelco se haya reacomplado cuando mueva la estufa sobre el piso o a la pared.
- No utilice la estufa sin el dispositivo antivuelco instalado y acoplado.
- Si no se siguen estas instrucciones, se puede provocar la muerte o quemaduras graves en niños y adultos.

### A. Localice la fijación usando el papel modelo -

Localice la posición de la fijación colocando la plantilla simétricamente a la línea central de la apertura. El soporte antivuelco puede instalarse en el lado izquierdo o derecho en la parte posterior de la estufa. Marque la ubicación de los agujeros de tornillos como se muestra en el papel.

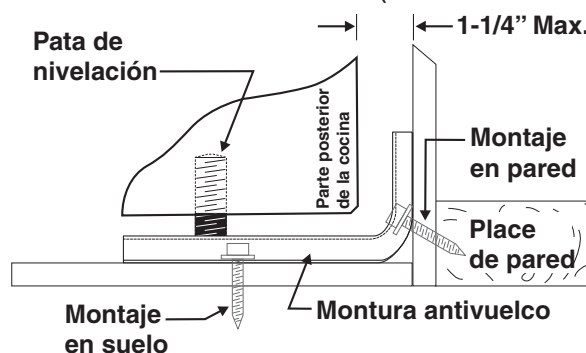


Figura 1

### B. Perforación de agujeros piloto y montura de sujeción –

Perfore un agujero piloto de 1/8" en el lugar en el que se vayan a instalar los tornillos. Si la montura se va a instalar a en la pared, practique un agujero piloto con una inclinación aproximada de 20° hacia abajo. Si la montura se va a instalar sobre hormigón para suelos cerámicos, practique un agujero de 3/16" con una profundidad de 1-3/4". Los tornillos que se suministran pueden utilizarse en hormigón o madera. Para fijar la montura en su sitio, utilice un destornillador de cabeza plana o una llave para apretar tuercas de 5/16".

### MONTURA DE SUJECIÓN (MONTAJE EN PARED O SUELO)



### MONTURA DE SUJECIÓN (SÓLO MONTAJE EN SUELO)

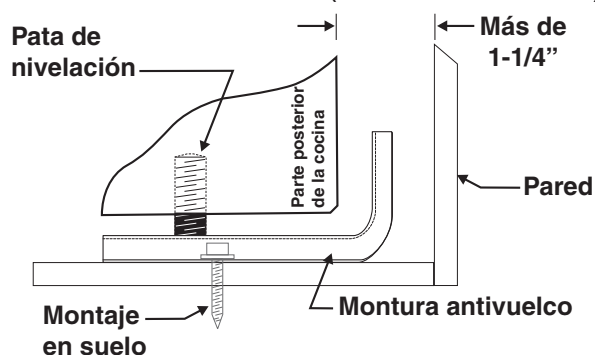


Figura 2



# INSTRUCCIONES PARA INSTALACIÓN DE LA ESTUFA ELÉCTRICA DE 30"

## C. Nivele la cocina y coloque la cocina en su lugar.

- Deslice la estufa a su lugar. Coloque la pata niveladora dentro del braquete anti-basculante. Verifique visualmente que los soportes antivuelco estén correctamente enganchados (anclados). Nivele la cocina. Nivele la estufa si es necesario, ajustando las 4 patas niveladoras con una llave ajustable. Para verificar que la cocina está nivelada, coloque un nivel en las parrillas interior del horno. Tome mínimo 2 lecturas con el nivel, coloque el nivel en diagonal para que la cocina esté nivelada de atrás hacia adelante, si es necesario ajuste las patas niveladoras.

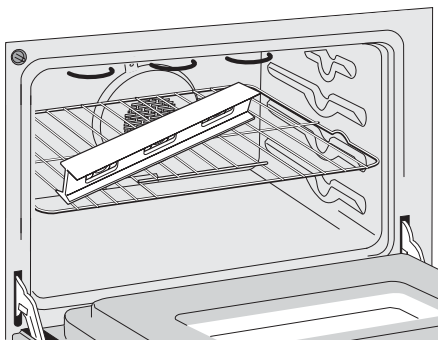
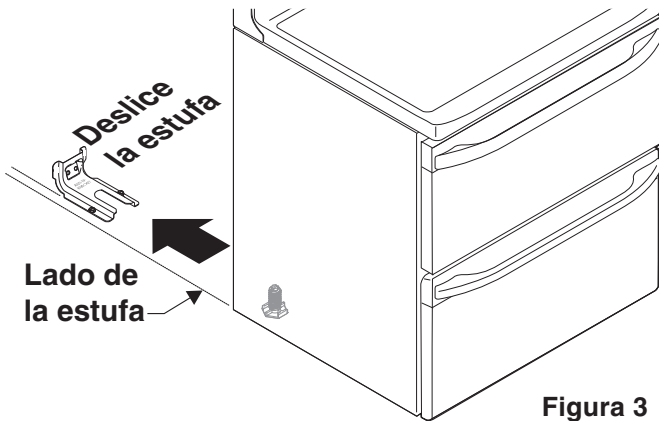
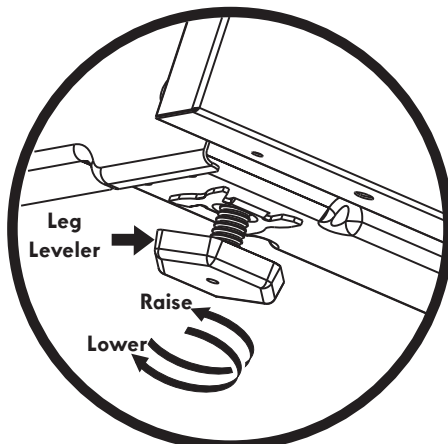


Figura 4



Para verificar si la fijaciones de anti-inclinación está instalado correctamente, sostenga el borde trasero de la parte trasera de la estufa usando ambos brazos. Intente inclinar la estufa hacia adelante con cuidado. Si está instalada correctamente, la estufa no debería inclinarse hacia adelante.

## 4. Placa de Identificación

Esta placa de identificación está localizada sobre el marco y se puede ver cuando la gaveta está abierta. Consulte la placa de identificación para obtener la siguiente información:

- A. Números de modelo, partida y serie de la estufa.
- B. Tasa de kilovatios (requerimientos de energía.)
- C. Tasa de voltaje.



# INSTRUCCIONES PARA INSTALACIÓN DE LA ESTUFA ELÉCTRICA DE 30"

## 5. Requisitos de conexión eléctrica

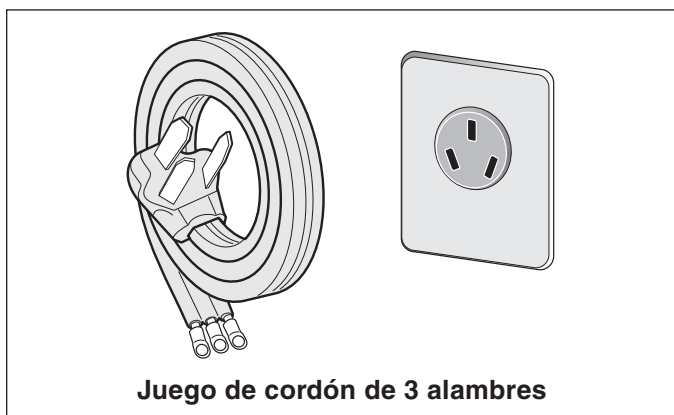
Este aparato debe estar instalado en forma apropiada y puesto a tierra por un técnico calificado, de acuerdo con el National Electric Code (Código Nacional de Electricidad) ANSI/NFPA No. 70 —última edición— y con los requerimientos de electricidad de los códigos locales.

Este aparato puede ser conectado por medio de una extensión a un tomacorriente local permanente o por medio de "Juego de Cordón para el Suministro de Energía"

Cuando se use la extensión, no deje exceso de alambre en el compartimiento de la estufa. Si se deja exceso de alambre en el compartimiento, ésta no permitirá que la cubierta de acceso sea cerrada en forma apropiada, lo cual puede crear un riesgo eléctrico potencial si se perforan los alambres. Cuando se use conduit flexible o cable para estufas, use un conector flexible o cable de estufa resistente a tensiones.

**NOTA:** Use solamente alambre de cobre en la conexión al bloque terminal.

### 5.1 Modelos que requieren Juego de Cordón para el Suministro de Energía



El utilizado es responsable de la conexión del cable del suministro eléctrico al bloque de conexión situado detrás del panel de acceso.

El electrodoméstico se puede conectar a través de un cableado permanente "cableado duro"; cable de cobre blindado armado o cable no-metálico flexible (cuando el código local lo permite) o por medio de un kit de cable de alimentación. Vea la gráfica (en la página siguiente) para encontrar el tamaño mínimo del cable a utilizarse (el listado general de la UL, código local puede diferenciar).

**NOTA:** La cocina corrediza eléctrica viene de fabrica con un agujero de diámetro 1 1/8" (2.9 cm) como se muestra en la figura 4. Si un agujero mas largo está necesario retire la arandela de la pre-cortada.

**⚠ ADVERTENCIA** El riesgo de fuego o de choque eléctrico puede aparecer si usa el tamaño de cable incorrecto, si las instrucciones de instalación no son seguidas o si retira la abrazadera de releva.

Para casas sobre ruedas, nuevas instalaciones, en los vehículos de recreativos o en las lugares donde los códigos locales no permiten la conexión del conductor de tierra al neutro, un ensamble de suministro eléctrico de 4 conductores para estufas, calificado a 125/250 voltios mínimo, 50 Amperes mínimo, debe de ser utilizado (ver la figura 5). Si se utiliza un circuito 50A, un cable eléctrico 50A debe ser utilizado.

**⚠ PRECAUCION** No desajuste las tuercas que aseguran la conexión de la cocina al bloque terminal cuando esté instalándola. El corte o la perdida de corriente eléctrica puede ocurrir.

## ⚠ ADVERTENCIA

### Peligro de choque eléctrico

- La conexión a tierra es requerida para este electrodoméstico.
- No conecte al suministro eléctrico hasta que el electrodoméstico este conectado a tierra de manera permanente.
- Desconecte el suministro eléctrico hacia la caja de empalmes antes de hacer la conexión eléctrica.
- Este electrodoméstico debe ser conectado a un sistema de alambres permanentes, metálicos, conectados a tierra o una puesta a tierra debe ser conectada al terminal de tierra o un emplomando al electrodoméstico.

El no seguir ninguna de estas instrucciones podría causar fuego, heridas personales o choques eléctricos.

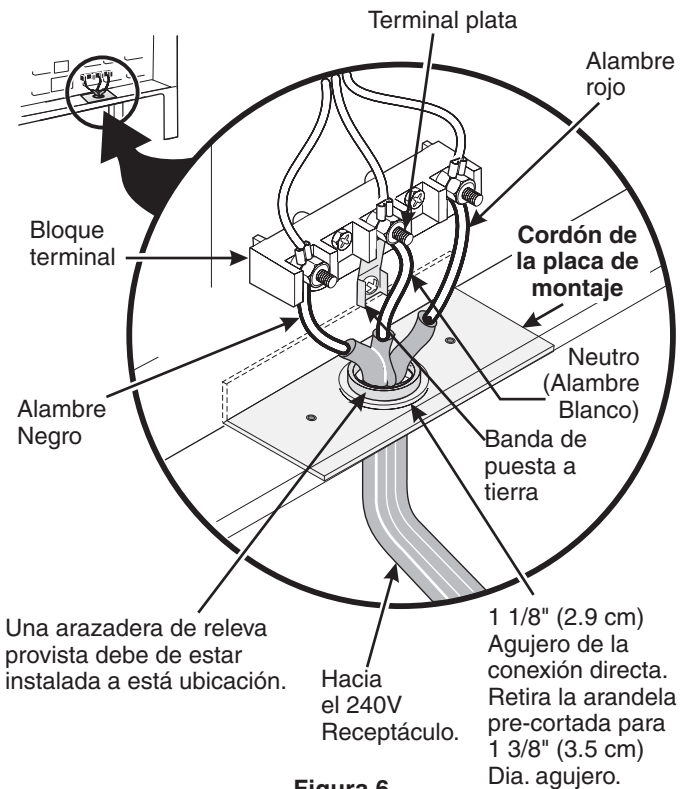
**⚠ ADVERTENCIA** Este electrodoméstico fue fabricado con el marco aterrizado a través de una correa de conexión entre el neutral de la fuente de alimentación y el marco. Si es utilizado en los E.E. U.U., con un circuito nuevo de instalación (1996 NEC), en casa sobre ruedas o vehículo recreativo, donde el código local no permite el aterrizaje a través del cable neutro (blanco) o en Canadá; remueva la correa de aterrizaje del marco y corte el otro extremo, cerca de la terminal de neutral. Conecte el electrodoméstico de la forma usual.

# INSTRUCCIONES PARA INSTALACIÓN DE LA ESTUFA ELÉCTRICA DE 30"

## Conexión del cable a tres alambres la cocina

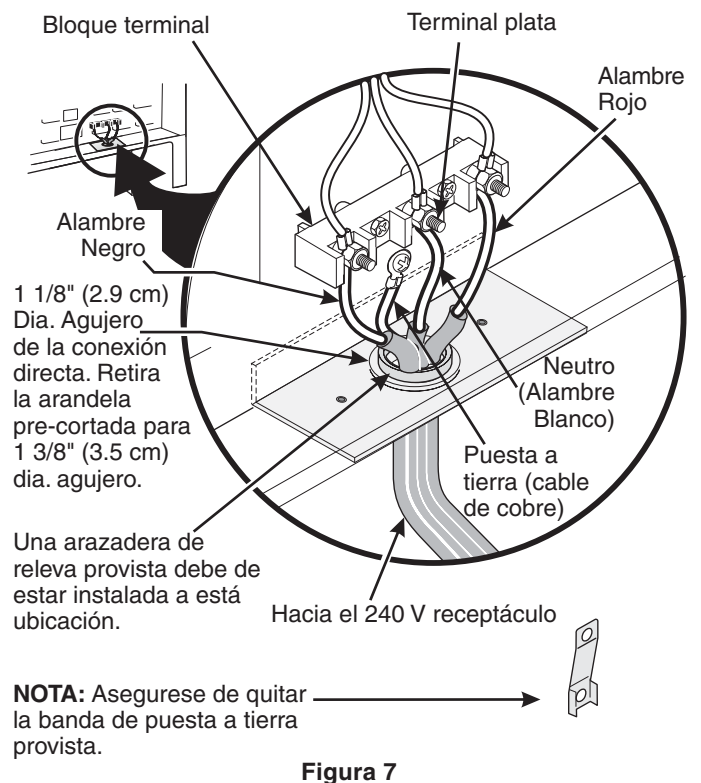
Si los códigos locales permiten la conexión del conductor a tierra del armazón al alambre neutral del cable de bronce del suministro eléctrico (vea figura 6).

1. Retire los tornillos de la parte baja de la cubierta del cable trasero (cubierta de acceso), para tener acceso al bloque de conexión del borne terminal.
2. Utilizar los tuercas suministraron en el paquete de la literatura para conectar la parte neutral del cable de bronce de suministro eléctrico al terminal plateado que se encuentra al centro del bloque terminal y, conectar los otros alambres a los terminales externos. Aparee los alambres y los terminales según el color (alambres rojos conectados al terminal derecho, alambres negros conectados al terminal izquierdo) (vea figura 6).
3. Baje la cubierta del terminal y vuelva al colocar los tornillos.



## Conexión del cable de cuatro conductores a la cocina.

1. Retire los tornillos de la parte baja de la cubierta del cable trasero (cubierta de acceso), para tener acceso al bloque de conexión del borne terminal.
2. Retire la correa de la base del bloque terminal y del armazón del electrodoméstico. Retenga el tornillo de la base.
3. Utilizar los tuercas suministraron en el paquete de la literatura para conectar el alambre de tierra (verde) del cable de bronce del suministro eléctrico al armazón del electrodoméstico con el tornillo de la base, usando el hoyo del armazón por donde retiró la correa de la base (vea figura 7).
4. Conecte el alambre neutro (blanco) del cable de cobre del suministro eléctrico al terminal plateado del centro del bloque terminal y, conecte los otros alambres a los terminales externos.
5. Baje la cubierta del terminal y vuelva al colocar los tornillos.



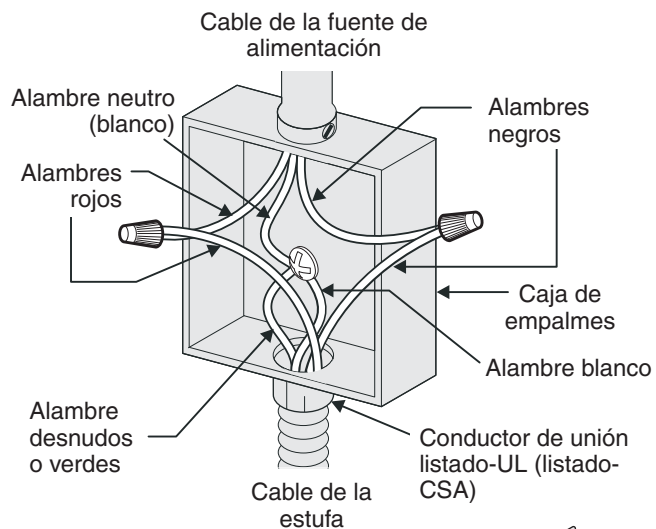
# INSTRUCCIONES PARA INSTALACIÓN DE LA ESTUFA ELÉCTRICA DE 30"

## Conexión eléctrica directa al cortacircuito, a la caja de fusibles o la caja de empalmes

Si el aparato está conectado directamente al cortacircuito, a la caja de fusibles o a la caja de empalmes, use un cable blindado flexible o no metálico recubierto de cobre (con alambre a tierra). Provee una abrazadera releva de anclaje homólogo UL a cada extremidad del cable. A la extremidad del electrodoméstico, el cable pase a través del agujero de la conexión directa (ver Figura 7) en el cordón de la placa de montaje. El tamaño de los alambres (**alambre de cobre solamente**) y las conexiones deben estar conforme al régimen del electrodoméstico.

## Donde los códigos locales permitan conectar el conductor de puesta a tierra del electrodoméstico al neutral (blanco) (vea Figura 8):

1. Desconecte el suministro eléctrico.
2. Siga las instrucciones en la página anterior para la conexión del alambre de cuatro conductores a la cocina (Fig. 7).
3. En el cortacircuito, la caja de fusibles o la caja de empalmes (Fig. 8):
  - a) Conecte el alambre verde (o cobre desnudo), el alambre blanco del cable del electrodoméstico y el alambre neutral (blanco) juntos.
  - b) Conecte los dos alambres negros juntos.
  - c) Conecte los dos alambres rojos juntos.

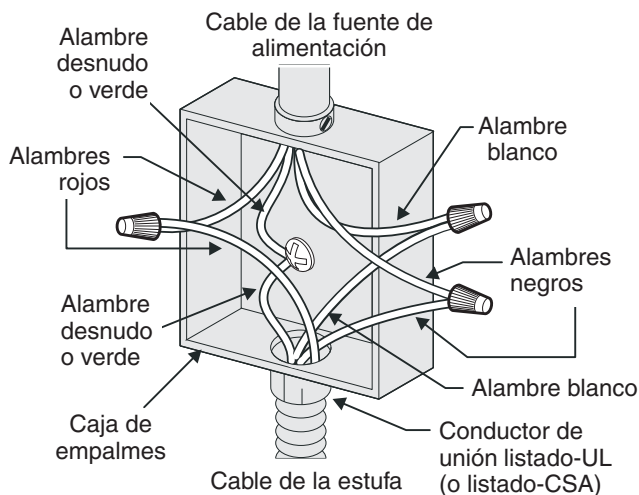


**NOTA:** Asegurese de quitar la banda de puesta a tierra provista.

Figura 8

## Donde los códigos locales NO permitan conectar el conductor de puesta a tierra del electrodoméstico al neutral (blanco), o si está conectado con un sistema a 4 alambres (vea Figura 9):

1. Desconecte el suministro eléctrico.
2. Siga las instrucciones en la página anterior para la conexión del alambre de cuatro conductores a la cocina (Fig. 7).
3. En el cortacircuito, la caja de fusibles o la caja de empalmes (Fig. 9):
  - a. Conecte el alambre blanco del cable del electrodoméstico al alambre neutral (blanco).
  - b. Conecte los 2 alambres negros juntos.
  - c. Conecte los 2 alambres rojos juntos.
  - d. Conecte el alambre verde (o de cobre desnudo) de la puesta a tierra del alambre al alambre de puesta a tierra del cortacircuito, de la caja de fusibles o de la caja de empalmes.



**NOTA:** Asegurese de quitar la banda de puesta a tierra provista.

Figura 9

## Antes de llamar al servicio

Lea la sección Lista de Antes de llamar en su Manual del Usuario. Esto le podrá ahorrar tiempo y gastos. Esta lista incluye ocurrencias comunes que no son el resultado de defectos de materiales o fabricación de este artefacto.