



**AMERICAN SPECIALTIES, INC.**

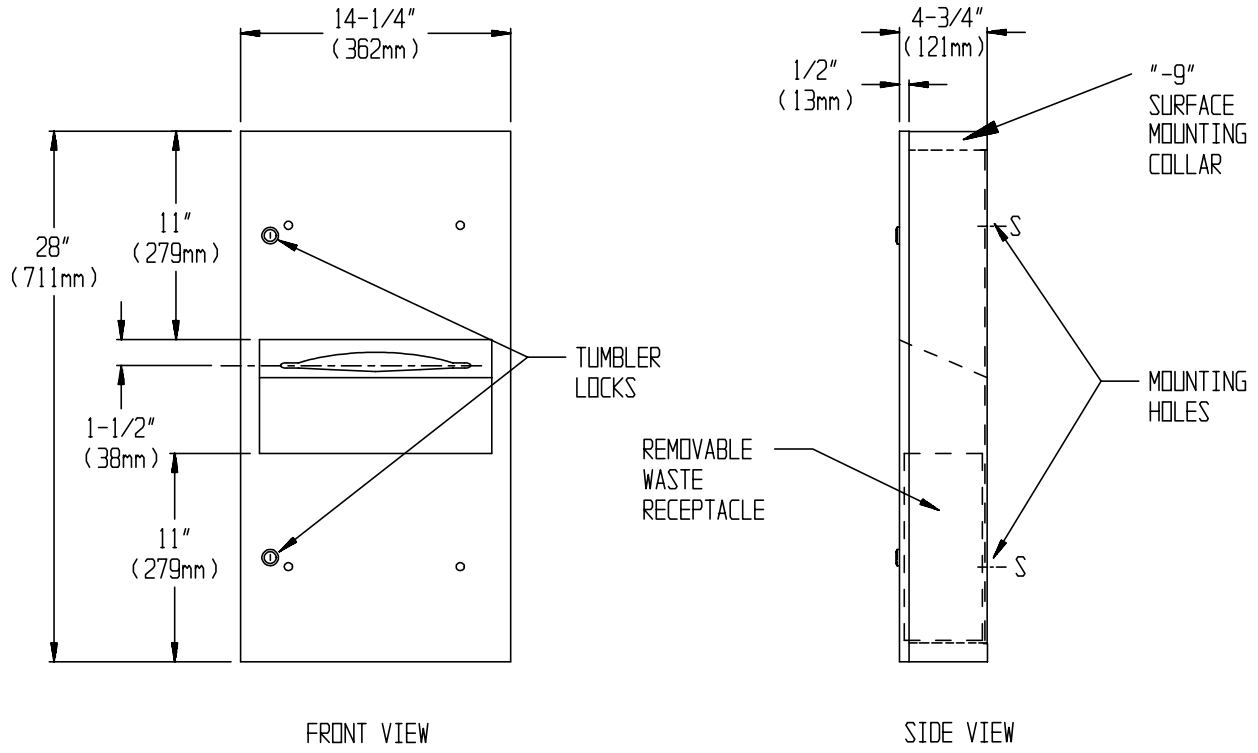
441 Saw Mill River Road, Yonkers, NY 10701 (914) 476-9000

MODEL No: 64623-9

ISSUED: 1-87

REVISED: 9-04

**PAPER TOWEL DISPENSER AND WASTE RECEPTACLE**



**SPECIFICATION**

Paper Towel Dispenser and Waste Receptacle unit shall hold and dispense 475 standard multi-fold or 350 standard C-fold paper towels and shall have a waste capacity of 2.2 gal. (8.4 liters). Cabinet, door, dispenser, and waste receptacle shall be fabricated of alloy 18-8 stainless steel, type 304. Cabinet shall be 20 gauge with a 1" (25mm) wide perimeter trim to lay flush against wall and shall have no exposed fastening devices. All exposed surfaces shall have a N° 4 satin finish and shall be protected by a PVC film easily removable after installation. Door shall be 18 gauge and shall be attached to the cabinet body with a full length 3/16" (5mm) dia. stainless steel multi-staked piano hinge, and shall be held closed with a tumbler lock keyed alike to other ASI washroom equipment. Towel dispensing slot shall have a fully deburred edge for snag free dispensing and user safety. Waste receptacle shall have a rolled edge finger hole for easy servicing and removal.

**Paper Towel Dispenser and Waste Receptacle unit shall be Model N°64623-9 as manufactured by American Specialties, Inc., 441 Saw Mill River Road, Yonkers, New York 10701-4913**

**INSTALLATION**

Unit is mounted on wall with N° 10 self-tapping screws (by others) through concealed mounting holes provided. For compliance with ADA Accessibility Guidelines unit should be installed so that towel dispenser slot is 54" (1372mm) maximum above finished floor (AFF) if clear floor side reach access is provided or 48" (1219mm) max. AFF if clear floor forward reach access is only provided. For general utility unit should be installed with its bottom edge 40-3/4" (1035mm) AFF.

**OPERATION**

Towels are self feeding until supply is depleted. Unit will continue to feed properly when reloaded with a partial load in place. Waste receptacle is emptied manually on a cycle determined by maintenance needs. Locked door prevents unauthorized access or removal.

**Accessory Specialties**

**AMERICAN DISPENSER**

**Desert Ray Products**

**WATROUS INC.**