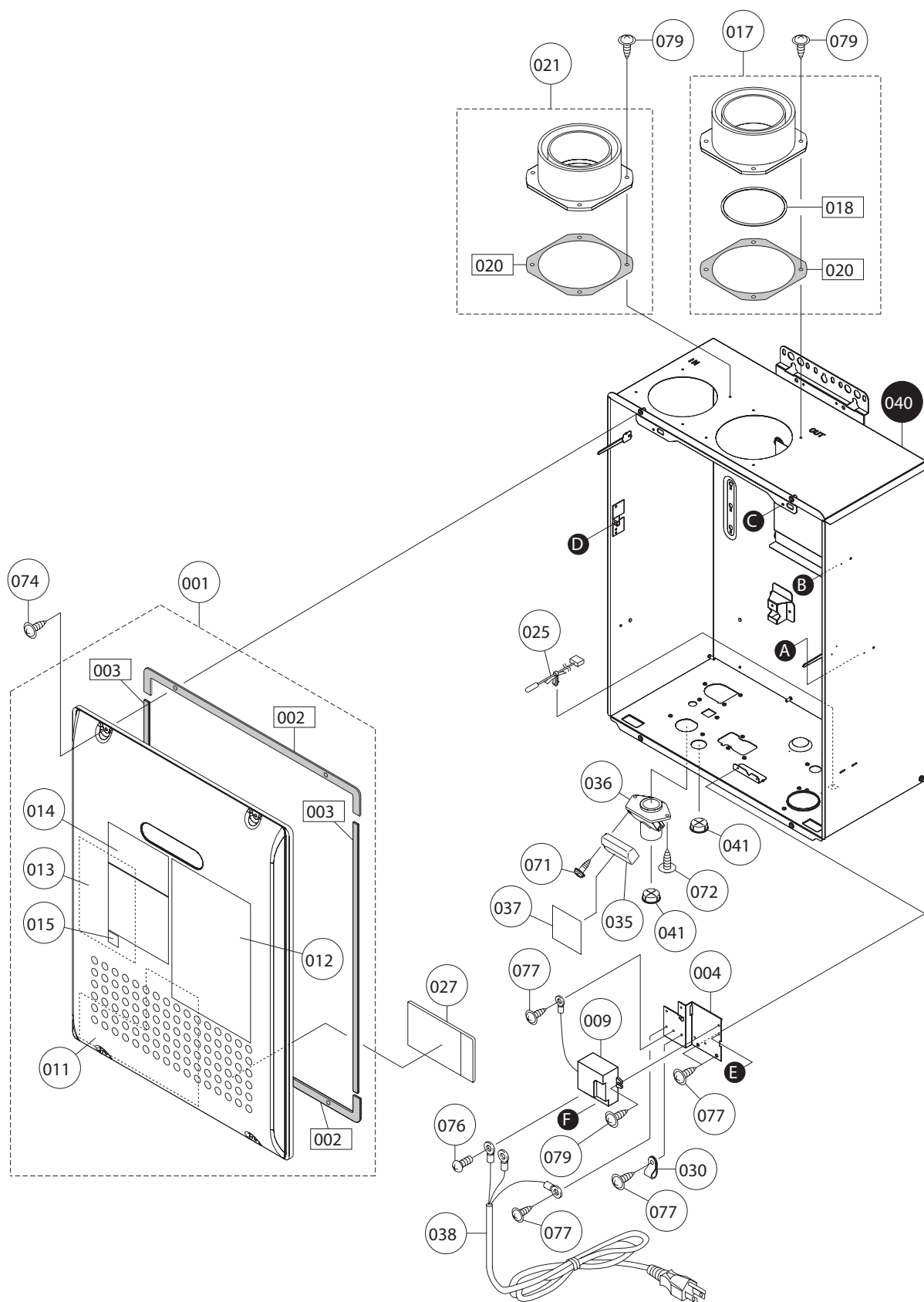
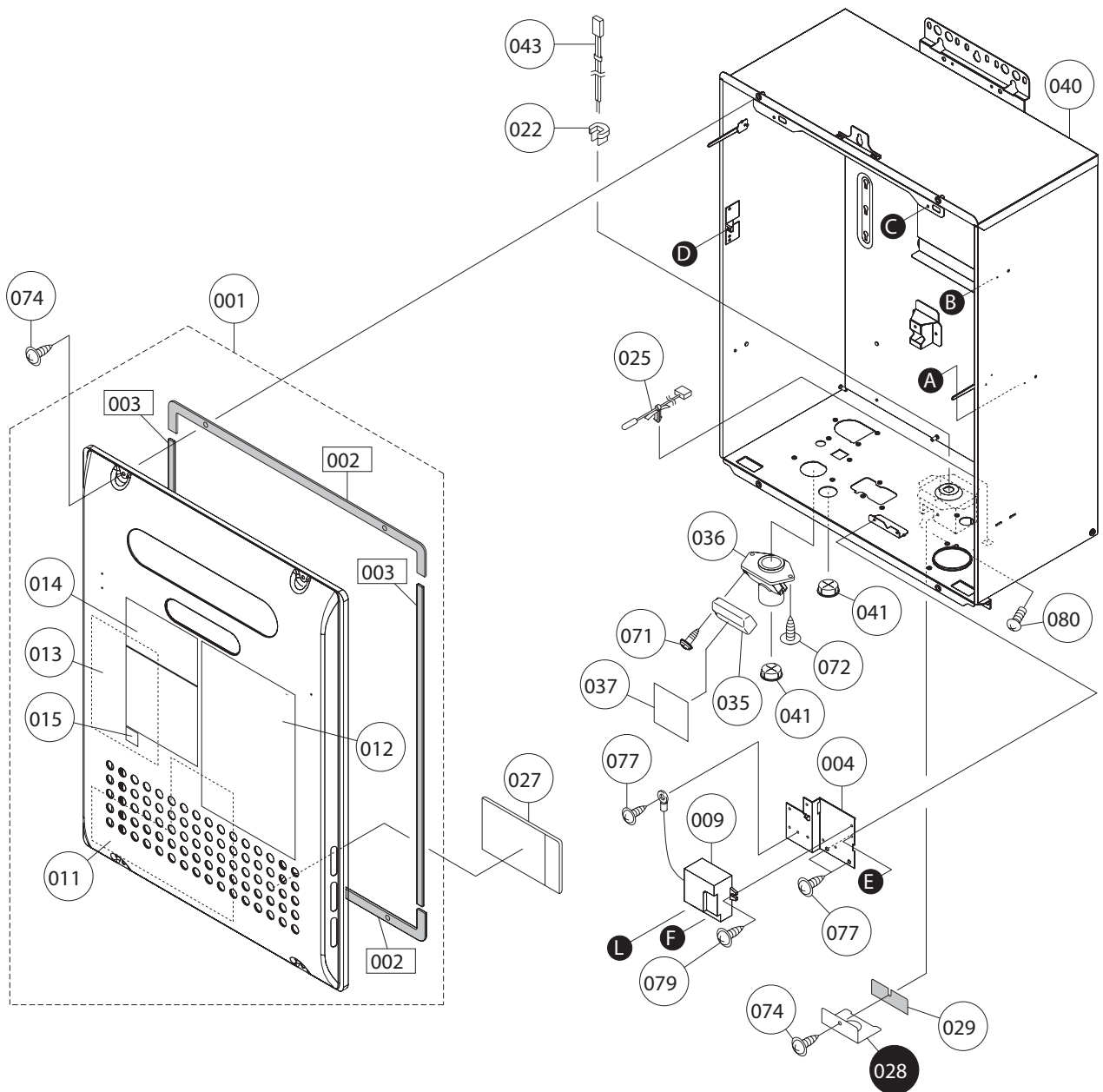


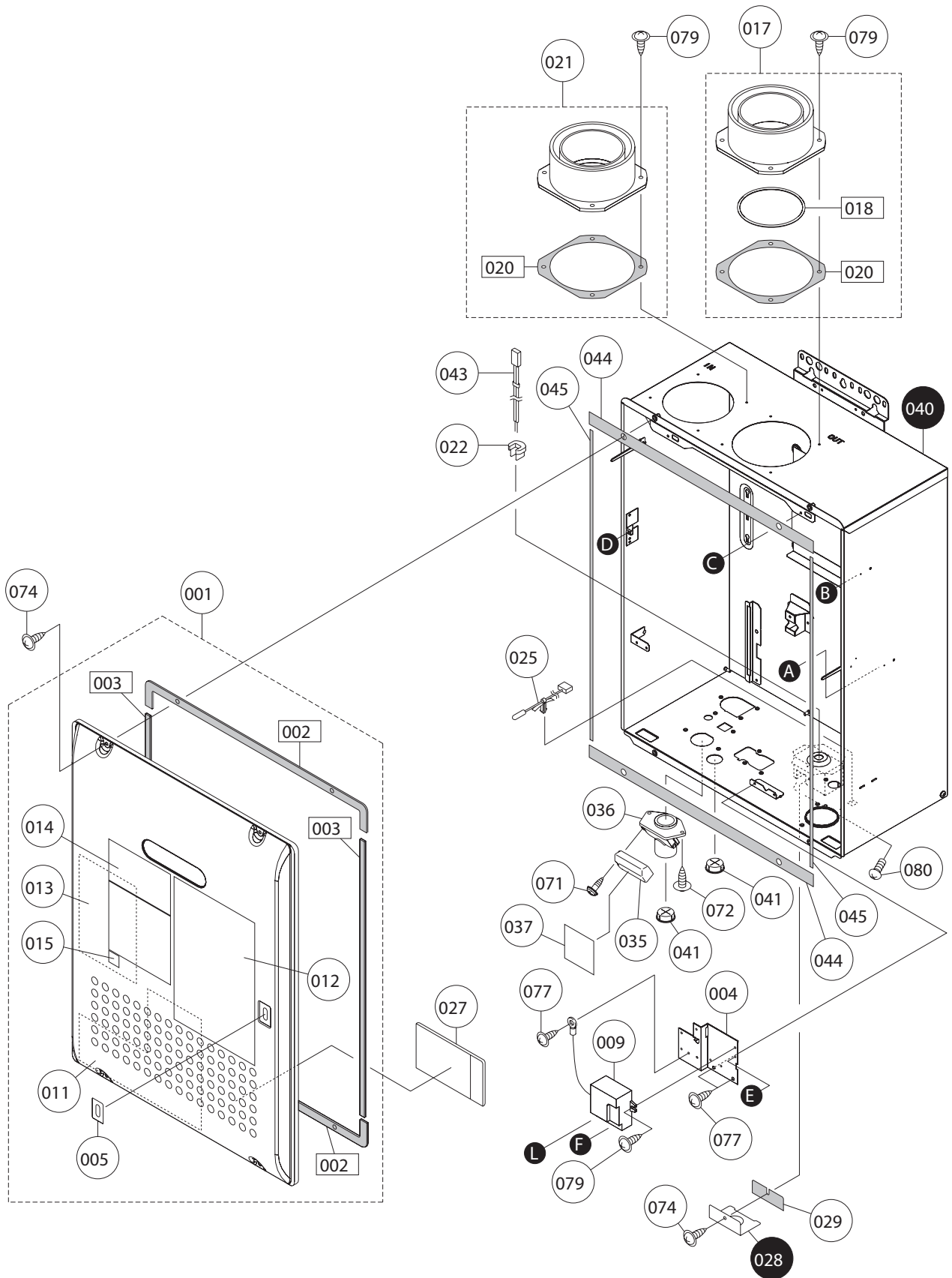
External outfitting NRC1111-DV



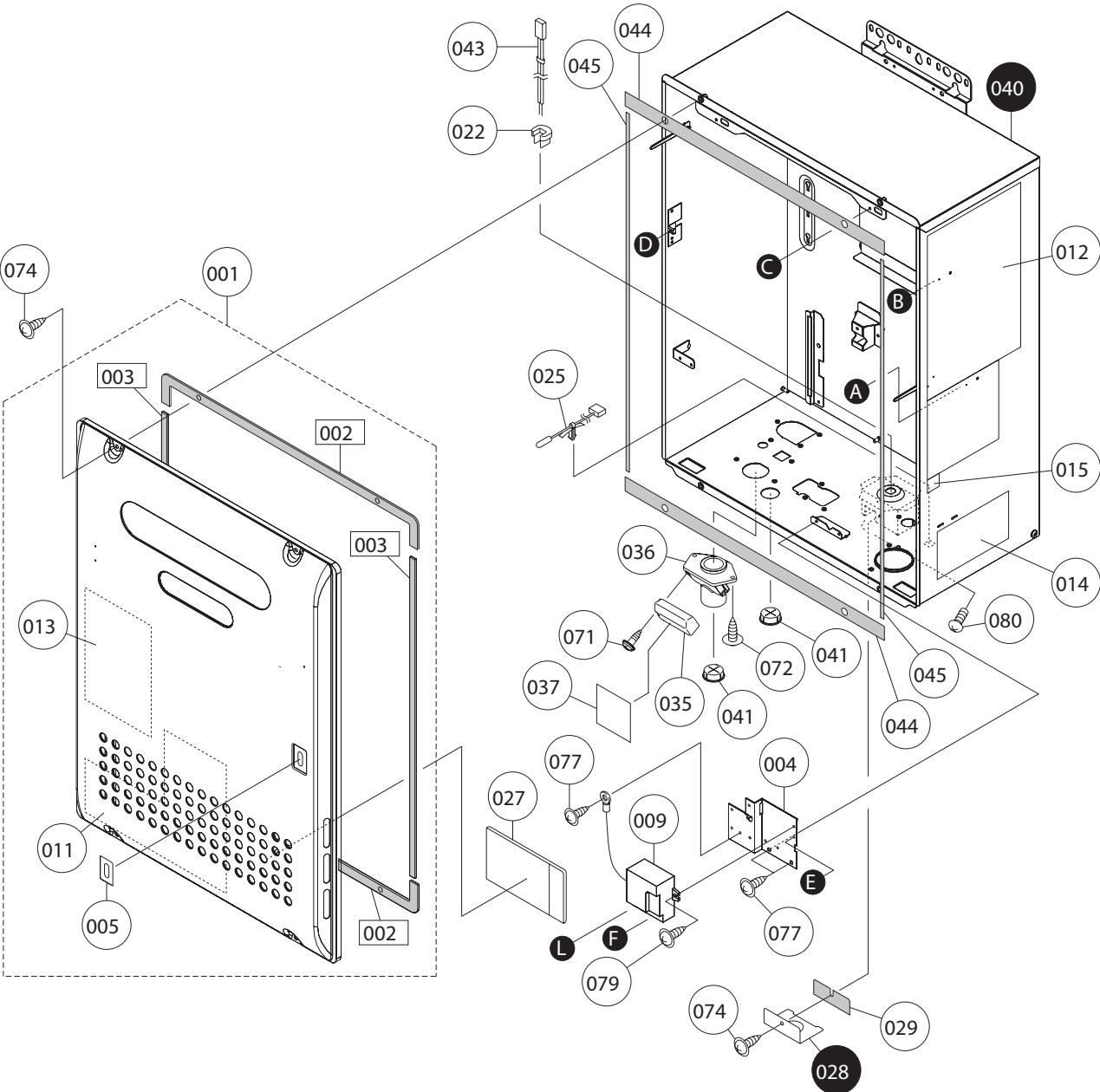
External outfitting NRC1111-OD



External outfitting NCC1991-DV



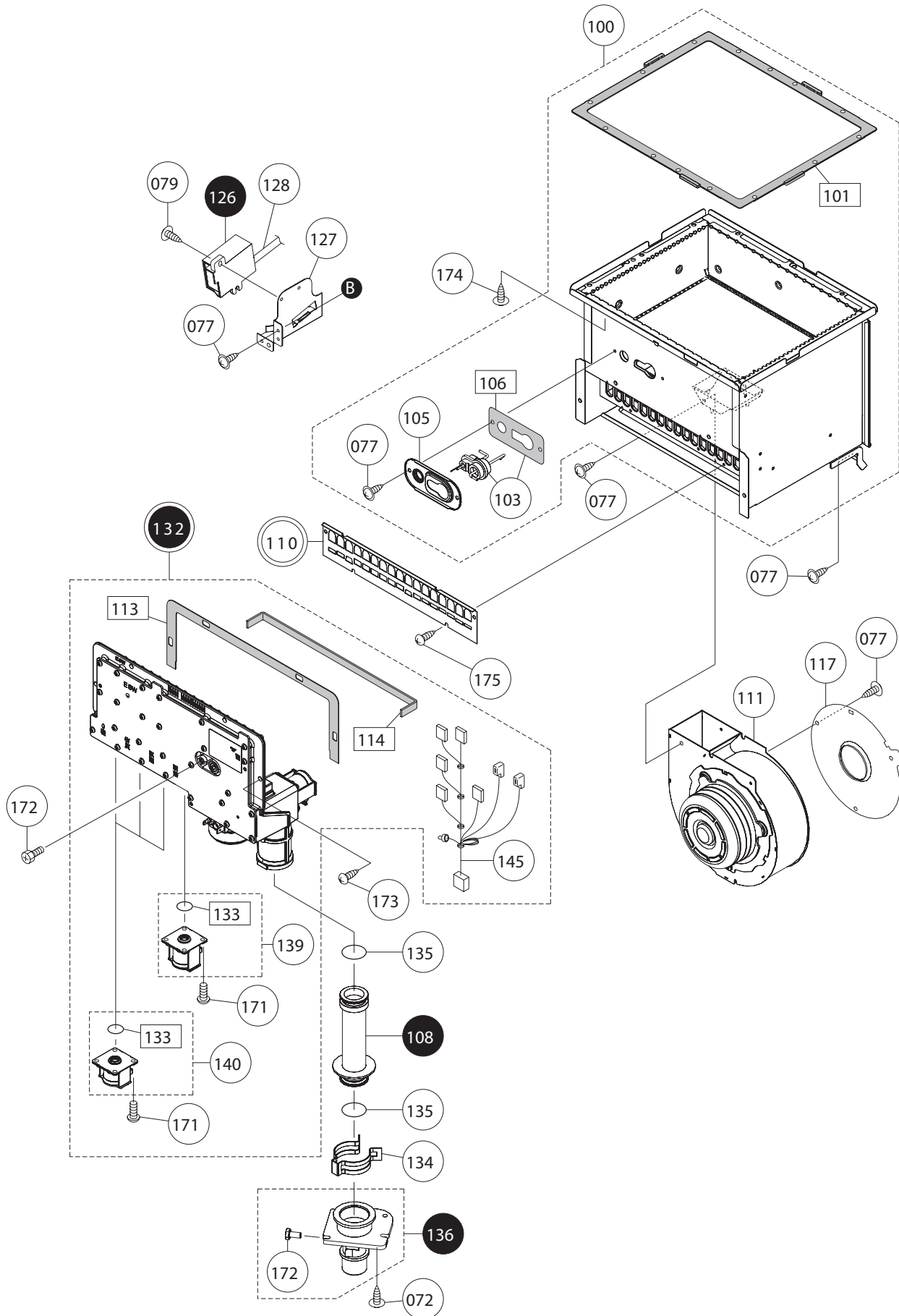
External outfitting NCC1991-OD



External outfitting NRC1111(-DV,-OD),NCC1991(-DV,-OD)

Part Nos.	Part Names	Order Nos.	Q'ty/unit
001	NRC1111-DV Front set-AS NRC1111-OD Front set-AS NCC1991-DV Front set-AS NCC1991-OD Front set-AS	SKH7180 SKH7181 SKH7182 SKH7183	1<NRC1111-DV> 1<NRC1111-OD> 1<NCC1991-DV> 1<NCC1991-OD>
002	Front packing S AAP	AAPL015	2
003	Front packing L AAP	AAPL017	2
004	Mounting plate for terminal block DZT	DZTA006	1
005	Lamp seal plate ENK	ENKK002	1<NCC1991>
009	Lightning arrester127 ERD	ERDJ011	1
011	Connection diagram label ETP	ETPK001	1
012	Caution label ENG ELV	ELVK003	1
013	Caution label FRE ELV	ELVK006	1
014	Rating plate 2 DV(FF) ELV Rating plate 2 OD(W) ELV	ELVK010 ELVK009	1<DV> 1<OD>
015	Energy star mark ENJ	ENJK071	1
017	Exhaust adapter ETH	ETHF021	1<DV>
018	O-ring Φ92 ETH	ETHF025	1<DV>
020	Flange packing ETH	ETHF024	2<DV>
021	Intake adapter ETH	ETHF031	1<DV>
022	Cord bushing SR-5P-4	SAE6198	1<NRC1111-OD>
025	Air thermistor BWC	BWCH003	1<NCC1991-DV> 1<NCC1991-OD>
027	Parts list label set ETP	ETPK051	1
028	Junction box cover(SUS ENJ-A	ENJA025	1<NRC1111-OD>
029	Junction box cover packing ENW	ENWL005	1<NCC1991-DV> 1<NCC1991-OD> 1<NRC1111-OD> 1<NCC1991-DV> 1<NCC1991-OD>
030	Nylon clamp HP-4N (NK-4N)	7287909	1<NRC1111-DV>
035	External connection terminal block cover DNS	DNSA025	1
036	External connection terminal block set DNS	DNSA026	1
037	Remoto controller connecting Caution label ENJ	ENJK002	1
038	Power supply cord ERD	ERDJ013	1<NRC1111-DV>
040	Case SET WX-FF ETP Case SET WX-W ETP Case SET WZ-FF ETP Case SET WZ-W ETP	ETPA011 ETPA001 ETPA111 ETPA101	1<NRC1111-DV> 1<NRC1111-OD> 1<NCC1991-DV> 1<NCC1991-OD>
041	Grommet CXP	CXPA026	2
043	Conduit 92-120V ENJ	ENJJ020	1<NRC1111-OD> 1<NCC1991-DV> 1<NCC1991-OD>
044	Guard packing side EMT	EMTA008	2<NCC1991>
045	Guard tape 590 EMT	EMTA009	2<NCC1991>
071	Cross recessed round-head collar P TIGHT screw 4X12 S410		
072	Cross recessed round-head collar EVERTIGHT tapping screw 4X1	2 S410	<NRC1111>
074	Cross & straight recessed truss type3 S TIGHT tapping screw 4X1	2 SUS410 Geomet	<NCC1991>
076	Cross recessed truss type3 EVERTIGHT tapping screw with PW 4	X12 S410 Geomet	
077	Cross recessed bind machine screw M3.5X6 S430		
079	Cross recessed round-head collar N-tapping screw 4X8 S410		
080	Cross recessed round-head collar N-tapping screw 4X12 S410 Cross recessed truss machine screw M4X8 S430		<NRC1111-OD> <NCC1991-DV> <NCC1991-OD>

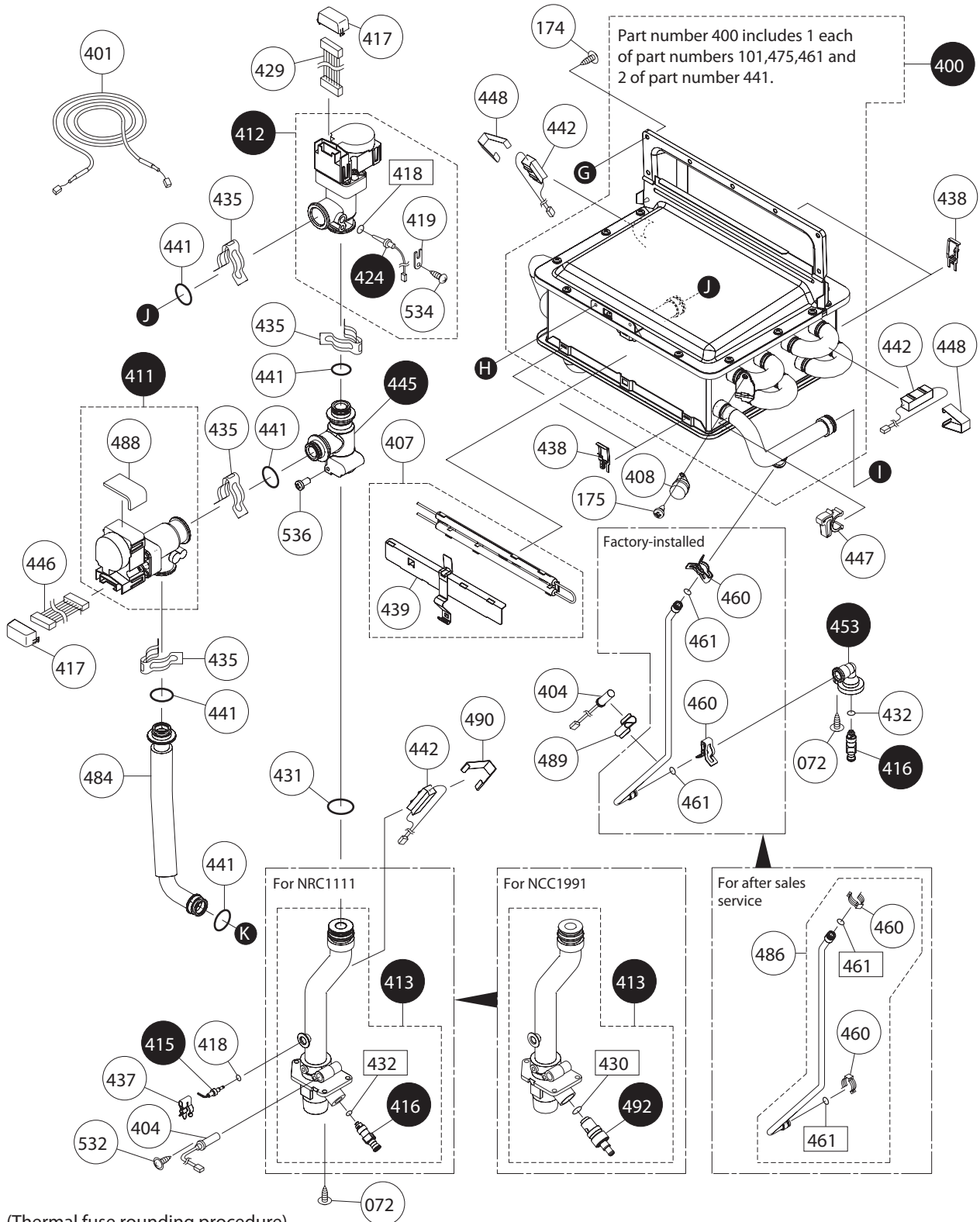
Combustion unit and gas route NRC1111(-DV,-OD),NCC1991(-DV,-OD)



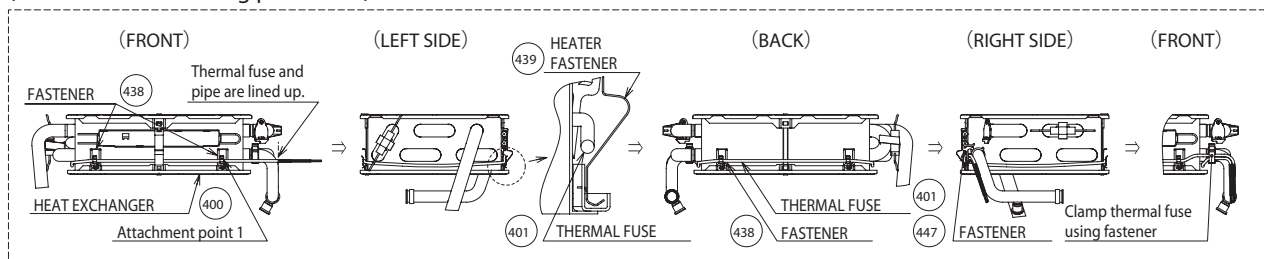
Combustion unit and gas route NRC1111(-DV,-OD),NCC1991(-DV,-OD)

Part Nos.	Part Names	Order Nos.	Q'ty/unit
100	Combustion tube set ETP SET-V	SKH7184	1
101	Suction air joint packing ESW	ESWL001	1
103	Ignition plug SET ESS SET-V	SKG7311	1
105	Mounting plate for plug SET ESW	ESWC011	1
106	Plug packing Q EHK	EHL001	1
108	Gas pipe ETP	ETPE011	1
110	Main damper 17-13 EFW	EFWC033	1<LP>
	Main damper 17-14 EFW	EFWC034	1<NG>
111	Fan motor 110 ENJ(ENG)SET-AS#	SKD7441	1<DV>
	Fan motor 100 EJA(ENG)SET-AS#	SKC7470	1<OD>
113	Manifold joint packing top ERD	ERDL007	1
114	Manifold joint packing bottom ERD	ERDL009	1
117	Bell-mouth 110 φ 40 EHK	EHKF424	1<DV>
	Bell-mouth φ48 CRU	CRUC046	1<OD>
126	Igniter ERD	ERDJ012	1
127	Mounting plate for igniter DTJ	DTJA015	1
128	High-voltage cord 470	SAC1229	1
132	Gas mech. manifold L17ESW SET-AS	SKH7186	1<LP>
	Gas mech. manifold L24ESW SET-AS	SKH7187	1<NG>
133	O-ring JASO 2030 type 1	SAA6044	4
134	Quick fastener 25.4	6340601	1
135	O-ring P25.5	SAB1512	2
136	Gas fitting 20A SET ELW	ELWE021	1
139	Solenoid S16ERCJASO2030SETV	SKG7181	1
140	Solenoid S06ERC SET-V	SKG7316	3
145	Conduit R10 ESW	ESWJ015	1
171	Cross recessed round-head SPAK machine screw with guide M4X12 SWCH22A Trivalent Chromate		
172	Cross recessed hexagon head machine screw M4X8 SWCH12A Trivalent Chromate pre-coating		
173	Cross recessed round-head type3 EVERTIGHT tapping screw 5X16 S410		
174	Cross recessed round-head collar N-tapping screw 4X10 S410		
175	Cross recessed round-head N-tapping screw 4X8 S410		

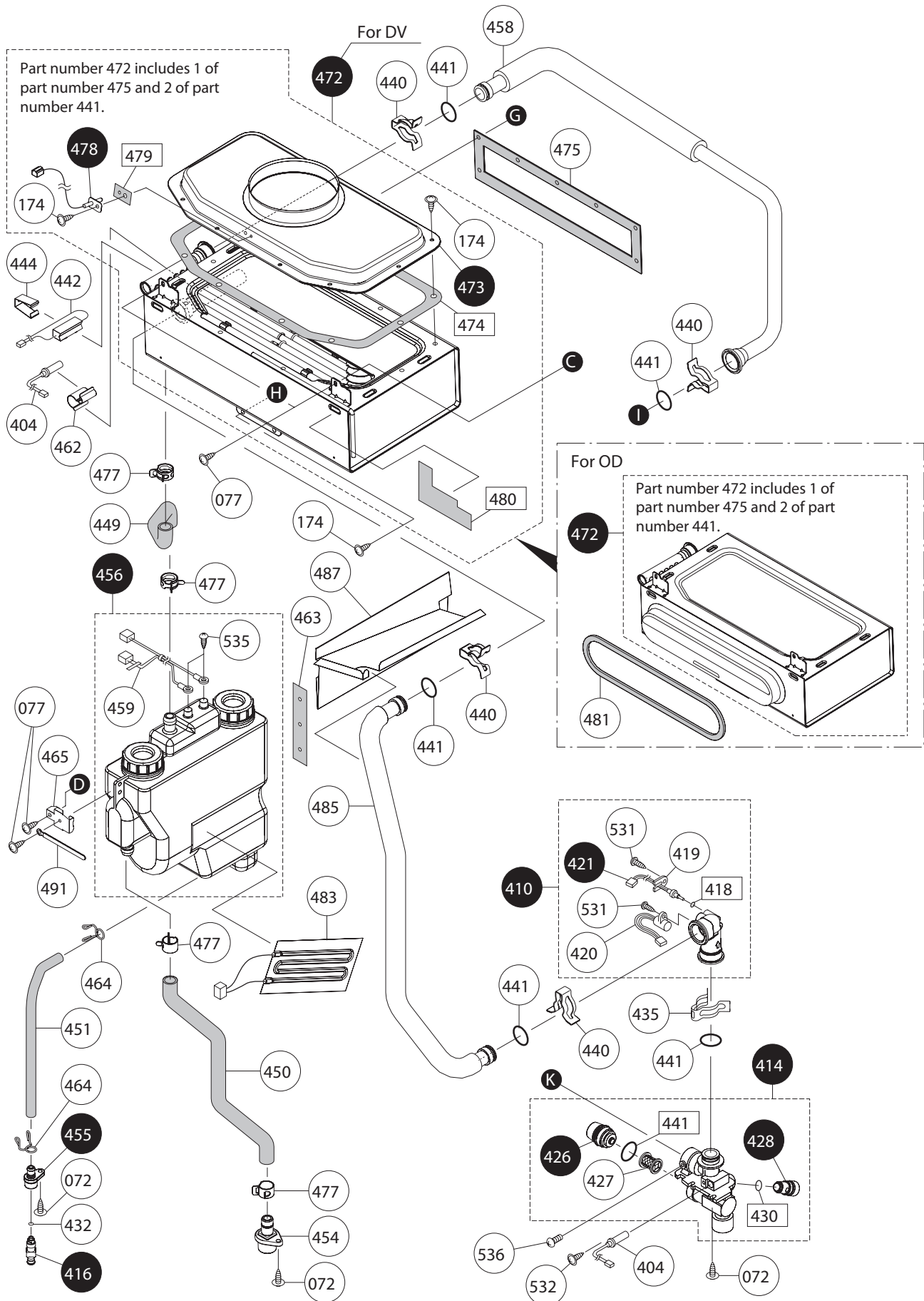
Hot-water feed route 1 NRC1111(-DV,-OD),NCC1991(-DV,-OD)



(Thermal fuse rounding procedure)



Hot-water feed route 2 NRC1111(-DV,-OD),NCC1991(-DV,-OD)



Hot-water feed route 1 NRC1111(-DV,-OD),NCC1991(-DV,-OD)

Part Nos.	Part Names	Order Nos.	Q'ty/unit
400	Heat exchanger & Exhaust box ETP SET-AS OPK	SKH7188	1
401	Thermal fuse F ERG label ETP SET-V	SKH7189	1
404	Freeze preventive heater 3 ERD	ERDH003	4
407	Freeze preventive heater Q ETP heater fastener ERDSETV	SKH7192	1
408	Remaining flame safety device 94 ELV	ELVH002	1
410	Water flow sensor SET ERD	ERDD011	1
411	Water flow servo 1 ETF label ETP SET-V	SKH7202	1
412	Water flow servo set 2 ETF	ETFD011	1
413	Hot-water feed pipe ENJ	ENJD003	1<NRC1111>
	Hot-water feed pipe ETP	ETPD003	1<NCC1991>
414	Water inlet fitting 20A SET EJM	EJMD002	1
415	Hot-water thermistor-300 BWC	BWCD096	1
416	Drain cock CRU	CRUD003	3<NRC1111>
	Drain cock CRU	CRUD003	2<NCC1991>
417	Waterproof cover EBT	EBTD023	2
418	Chlorinated water-resistant O-ring P 4	1323709	3
419	Thermistor holding plate ALS	ALSD088	2
420	Water outlet magnetic sensor BWC	BWCD090	1
421	Water inlet thermistor-300 BWC	BWCD097	1
424	Heat exchanger thermistor-300 BWC	BWCD098	1
426	Water filter cover DTJ	DTJD006	1
427	Water filter (SUS) EGB	EGBD032	1
428	QMF safety valve A(S)	SAA2811	1
429	Conduit R86 JBG	JBGJ024	1
430	Hot-water resistant O-ring P 9	SAD6635	1<NRC1111>
	Hot-water resistant O-ring P 9	SAD6635	2<NCC1991>
431	Chlorinated water-resistant O-ring P2 2	7573308	1
432	Hot-water resistant O-ring P 3	SAD6633	3<NRC1111>
	Hot-water resistant O-ring P 3	SAD6633	2<NCC1991>
435	Quick fastener 16A	6340300	5
437	Sensor fastener CRU	CRUD055	1
438	Thermal fuse fastener EGL	EGLH002	4
439	Heater fastener SET ERD	ERDH011	1
440	Quick fastener 16-25	SAD6593	4
441	Chlorinated water-resistant O-ring P1 6	3223302	11
442	Freeze preventive heater 2 ERD	ERDH002	4
444	Heater fastener L AMM	AMML001	1
445	Mixing room ELW	ELWD005	1
446	Conduit 86 ETF	ETFJ033	1
447	Harness clip 16	SAB2775	1
448	Heater fastener LL CPL	CPLL002	2
449	Drain hose ETP	ETPF011	1
450	Drain hose 2 ENJ	ENJF022	1
451	Water drain hose of neutralizer ENJ	ENJF023	1
453	Drain coupling CBN	CBND018	1
454	Drain coupling EPH	EPHF001	1
455	Draining coupling EMD	EMDF309	1
456	Drain trap SET ETP	ETPF031	1
458	Heat exchanger connecting pipe ETH	ETHD007	1
459	Water level electrode harness EPJ	EPJJ034	1
460	Quick fastener 6-13	SAD6594	2<Factory-installed>
	Quick fastener 6	6339905	2<For after sales service>
461	Chlorinated water-resistant O-ring P 6	3264408	2
462	Heater fastener 16 ETH	ETHH003	1
463	Neutralizer packing ENJ	ENJL007	1
464	Pin band for φ8 DEG	DEGD004	2
465	Mounting plate for neutralizer EHW	EHWA016	1
472	Secondary heat exchanger FF ETP SET-AS OPK	SKH7191	1<DV>
	Secondary heat exchanger W ETP SET-AS OPK	SKH7190	1<OD>
473	Exhaust box set ETP	ETPF101	1<DV>
474	Exhaust box packing ETP	ETPL001	1<DV>
475	Secondary heat exchanger joint packing ETH	ETHL003	1
477	Hose clamp NO.35	SAD6670	4
478	Exhaust thermistor ETH	ETHH002	1<DV>
479	Exhaust thermistor packing ETH	ETHL004	1<DV>

Hot-water feed route 2 NRC1111(-DV,-OD),NCC1991(-DV,-OD)

Part Nos.	Part Names	Order Nos.	Q'ty/unit
480	Exhaust thermistor fixing packing ETH	ETHL006	1<DV>
481	Front top packing Q CZR	CZRL001	1<OD>
483	Freeze preventive heater 120V ETH	ETHH004	1
484	Bypass pipe ENJ	ENJD005	1
485	Water inlet pipe ETP	ETPD001	1
486	Drain pipe ETP SET-AS	SKH7167	1<For after sales service>
487	Drain cover ETP	ETPA071	1
488	Waterproof cover DTJ	DTJL009	1
489	Heater fastener DLK	DLKH005	1
490	Heater fastener 22.2 ELV	ELVL011	1
491	Lead clasper 70 HBN	HBNL001	1
492	safety valve SET EGG	EGGD029	1<NCC1991>
531	Cross recessed round-head P TIGHT screw 4X10 S305		
532	Cross & straight recessed truss type3 S TIGHT tapping screw 4X6 S410		
534	Cross recessed round-head P TIGHT screw 4X10 S410		
535	Cross recessed truss P TIGHT screw 4X25 XM7		
536	Cross recessed round-head machine screw M4X8 S430 Trivalent Chromate (Black)		

Hot-water feed route 2 NRC1111(-DV,-OD),NCC1991(-DV,-OD)

Part Nos.	Part Names	Order Nos.	Q'ty/unit
480	Exhaust thermistor fixing packing ETH	ETHL006	1<DV>
481	Front top packing Q CZR	CZRL001	1<OD>
483	Freeze preventive heater 120V ETH	ETHH004	1
484	Bypass pipe ENJ	ENJD005	1
485	Water inlet pipe ETP	ETPD001	1
486	Drain pipe ETP SET-AS	SKH7167	1<For after sales service>
487	Drain cover ETP	ETPA071	1
488	Waterproof cover DTJ	DTJL009	1
489	Heater fastener DLK	DLKH005	1
490	Heater fastener 22.2 ELV	ELVL011	1
491	Lead clasper 70 HBN	HBNL001	1
492	safety valve SET EGG	EGGD029	1<NCC1991>
531	Cross recessed round-head P TIGHT screw 4X10 S305		
532	Cross & straight recessed truss type3 S TIGHT tapping screw 4X6 S410		
534	Cross recessed round-head P TIGHT screw 4X10 S410		
535	Cross recessed truss P TIGHT screw 4X25 XM7		
536	Cross recessed round-head machine screw M4X8 S430 Trivalent Chromate (Black)		

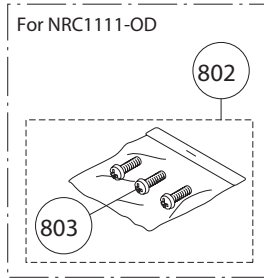
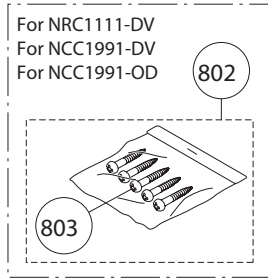
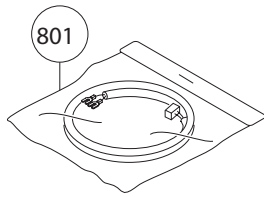
Electronic control unit and Remote controller

NRC1111(-DV,-OD),NCC1991(-DV,-OD)

Part Nos.	Part Names	Order Nos.	Q'ty/unit
700	Relay case ETP SET-AS	SHB7473	1
701	Relay case cover ERD-A	ERDJ008	1
702	Relay case waterproof cover ETH	ETHA023	1
705	Harness WX-FF ETP	ETPJ021	1<NRC1111-DV>
	Harness WX-W ETP	ETPJ011	1<NRC1111-OD>
	Harness WZ-FF ETP	ETPJ121	1<NCC1991-DV>
	Harness WZ-W ETP	ETPJ111	1<NCC1991-OD>
706	Lamp cable conduit CRP	CRPJ014	1<NCC1991>
750	RC-7651M body ENG QXU	QXUJ017	1<NRC1111>
	9018M body QNQ	QNQJ015	1<NCC1991>
751	M Dressed frame body NR Solid color QME	QMEA003	1<NRC1111>
	M Dressed frame body NR020 English character QMQ	QNQA020	1<NCC1991>
752	Wall packing QHU	QHUA115	1<NRC1111>
754	Remote controller fixture	QQNA021	1<NCC1991>
760	Shower remote controller screw set	SAD6448	1<NRC1111>
761	Cross recessed round wood screw 4.1X25 S305		<NRC1111>
762	Door plug 6X25		<NCC1991>
763	Cross recessed bind machine screw M3X6 S430		<NCC1991>
764	Main remotecontroller screw set (9100) (RS)	SHE6571	1<NCC1991>
765	Cross recessed flat-head screw M4X35 SWRM8 Trivalent chromate		<NCC1991>
766	Cross recessed flat-head wood screw (All screw)4.1X20 SWRM8 Trivalent chromate		<NCC1991>
767	Cross recessed bind machine screw S TIGHT 3X6 SWRM8 Trivalent chromate		<NCC1991>

Attached set NRC1111(-DV,-OD),NCC1991(-DV,-OD)

Attached set



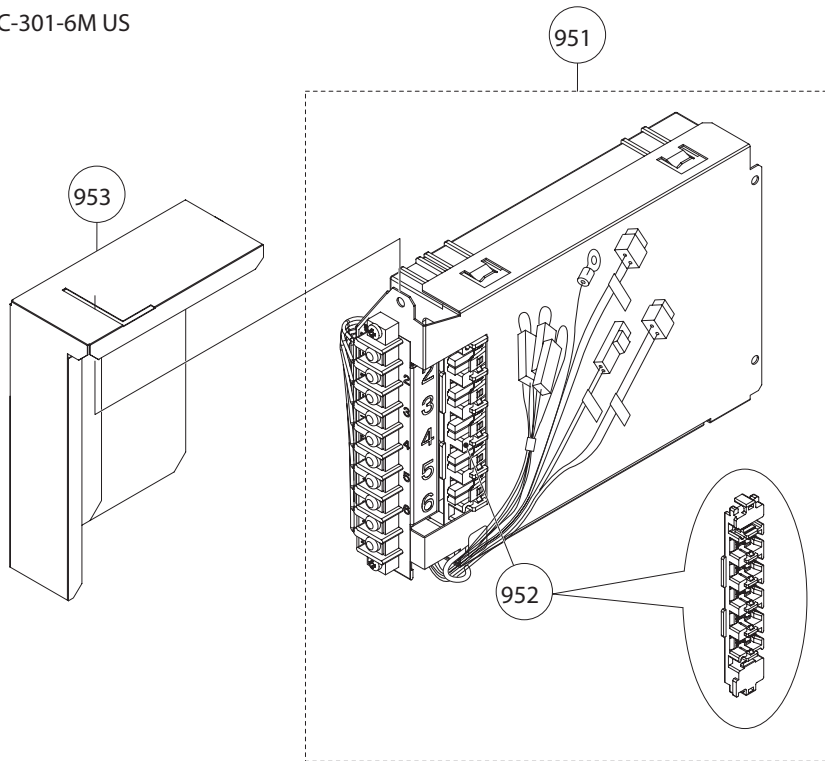
<Special part>

Special part	Special part no.
Owner's guide	888
Installation manual	889

※ To request a French version of the Owner's guide or Installation manual, contact Noritz America.

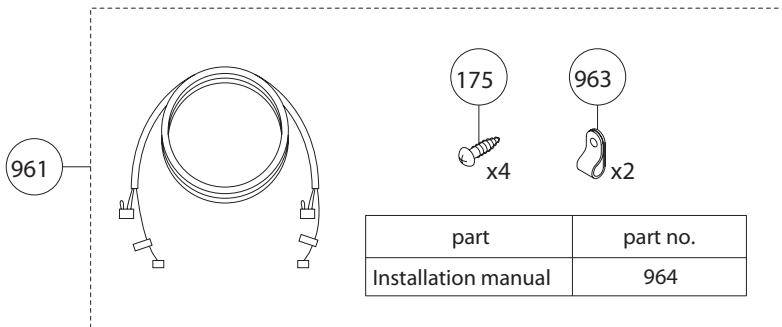
Optional

SC-301-6M US



part	part no.
Installation manual	954

Quick-Connect Cable QC-2



It is required for replacing one of two models that are connected by Quick Connect using QC-1 with NRC1111 / NCC1991.
(It is used for connecting QC-1, which has been constructed, with NRC1111 / NCC1991.)

