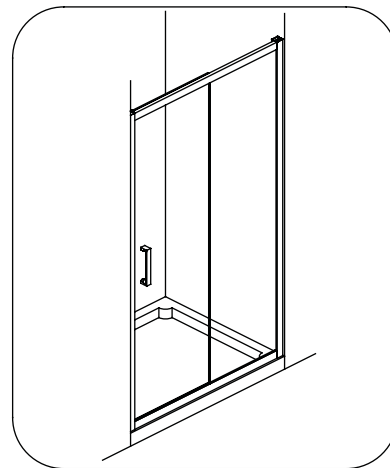
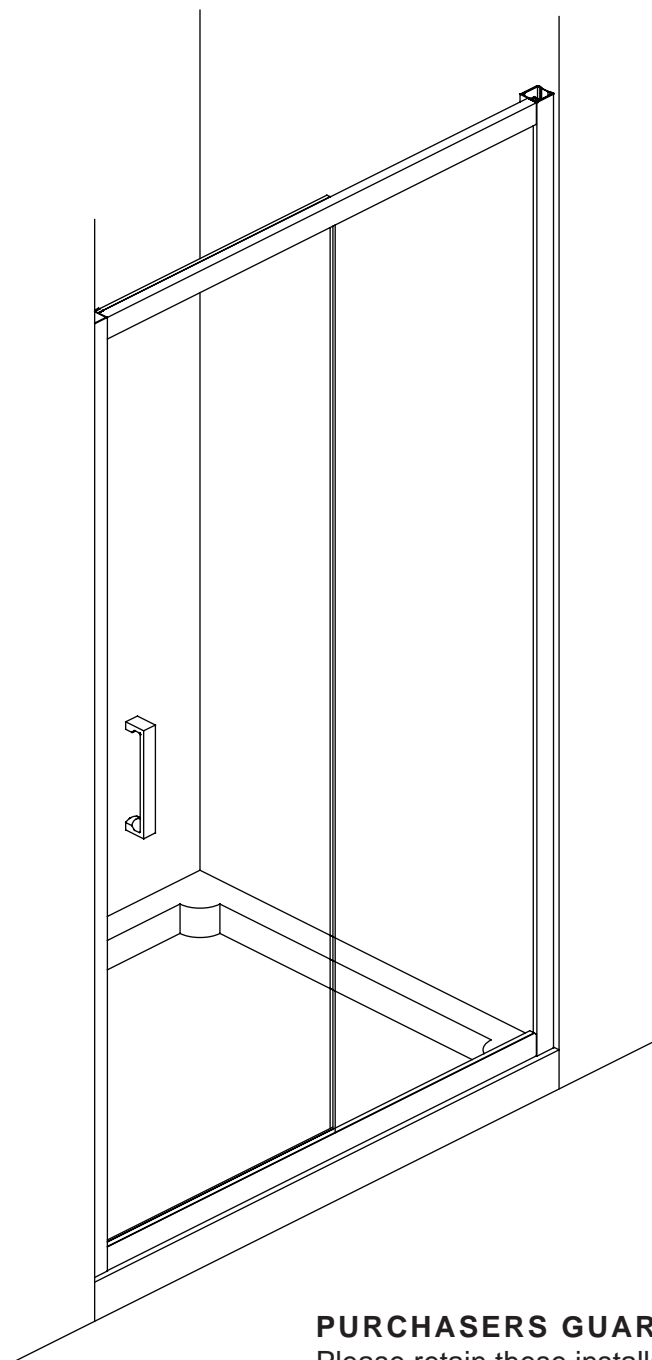


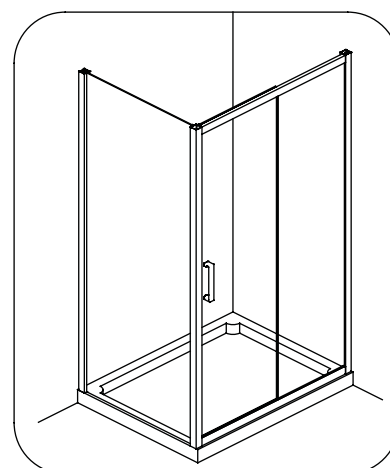
ELITE SLIDER DOOR

LSLSC1200
LSLSC1400
LSLSC1500
LSLSC1700

LSPSC0760
LSPSC0800
LSPSC0900
LSPSC1000



SLIDER DOOR IN ALCOVE



SLIDER DOOR & SIDE PANEL

PURCHASERS GUARANTEE

Please retain these installation instructions as important information concerning the cleaning and the maintenance is detailed within.

The product guarantee number is printed on the last page.

INSTALLATION INSTRUCTIONS

simpsons 

IMPORTANT - Please read before installation

Please read these instructions carefully before starting installation and keep in a safe place for future reference.

Check the contents of the pack carefully before installation. Simpsons will not be held responsible for any de-fit / re-fit costs where faulty product has been fitted.

If any fault is found with materials or workmanship, it must be reported immediately to the manufacturer. Remedial action will be taken, based on information received, on condition that:

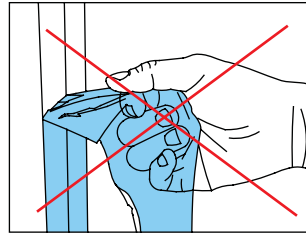
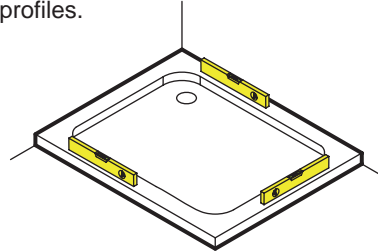
1. Full details are supplied to the manufacturer;
2. The enclosure has not been modified or tampered with;
3. The manufacturer is informed of any damage/shortages prior to installation.

We do not accept responsibility for any problems that may occur through incorrect installation.

The success of the installation and operation of any shower enclosure is, of course, dependant on the squareness, alignment and construction of the walls to which fixing is to be carried out.

VERY IMPORTANT

You must complete all tiling and grouting, and the shower tray **MUST** be level and fully sealed to the tiles before installation. If you do not fit the enclosure onto a tiled surface, or seal the tiles to the tray before installation, water may soak into the wall behind the wall profiles.



Blue protective plastic film has been placed on the metal profiles. This film should not be removed until installation is complete. This is to protect the plating finish and prevent profiles being scratched during fitting. A pair of gloves are also provided to wear during installation, this will reduce oils and silicon stains being transferred during installation.

INSTALLATION - Advice and safety

These products come with the two wall channels pushed onto each side of the glass panel frame. The side panels do **NOT** come with wall channels, you must use one of the channels from the door.

The installation instructions are based on typical use and conditions.

Please follow the installation instructions relevant to your enclosure.

These hints have been prepared for your guidance, you must exercise due care at all times.

For Health and Safety 2 people must carry out the installation of this enclosure.

Handle glass with care. Although the glass supplied is toughened safety glass (EN12150), impacts can damage both the glass and the frame.

Warning!

Please check for any hidden pipes or cables before drilling holes in the wall.

To stop the drill bit slipping, masking tape can be applied to the tiles when preparing the holes.

When using power tools always follow the manufacturers user instructions.

Do not sit the enclosure on a bed of silicone, as this will also stop any water from draining back into the tray.

DO NOT SEAL THE ENCLOSURE TO THE TRAY ON THE INSIDE.

If the enclosure is sealed to the tray on the inside, any water that may get into the framework will not be able to drain back into the tray, this may cause the enclosure to leak.

Leave the silicone sealant to dry for 24 hours before using the enclosure.

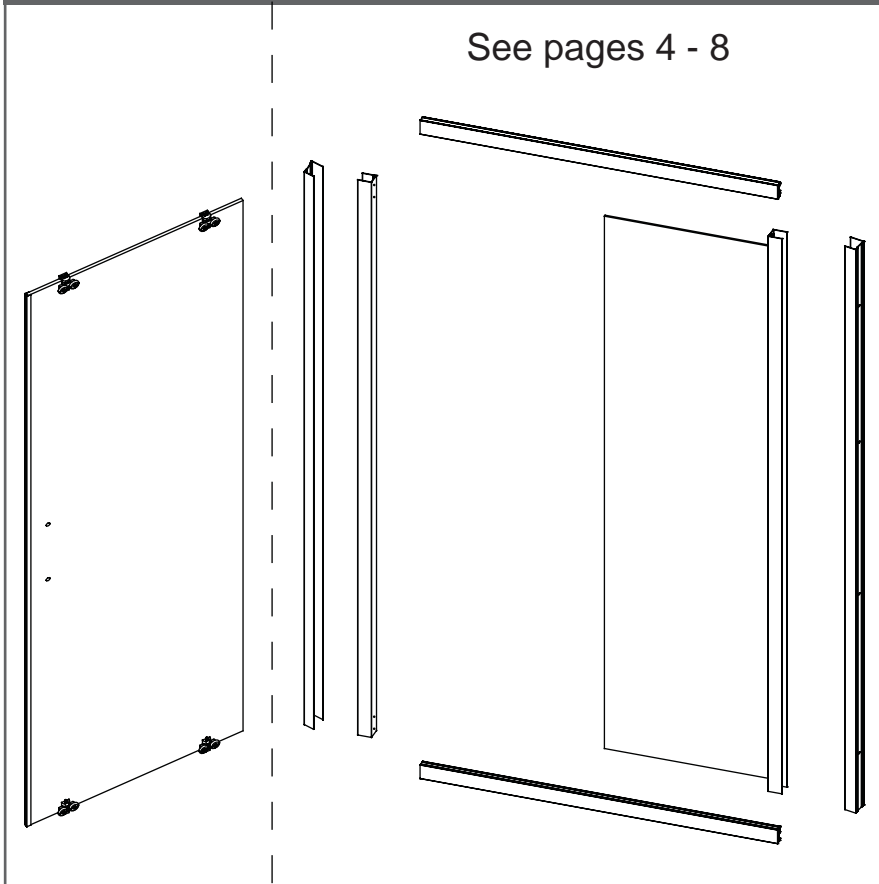
CARE AND CLEANING

Do not use solvents or abrasive material or chemicals to clean the enclosure.

Only clean using soapy water and a soft cloth, rinse thoroughly afterwards.

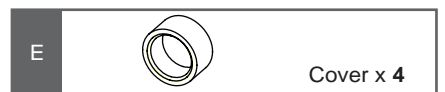
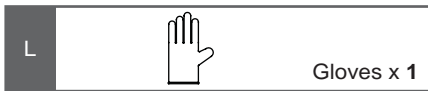
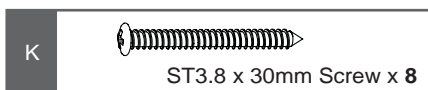
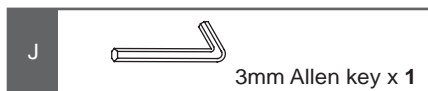
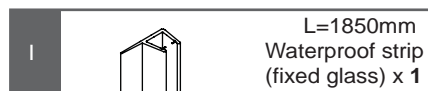
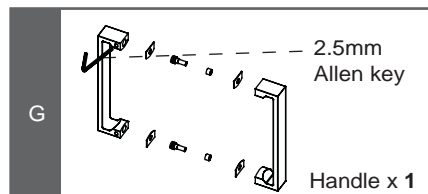
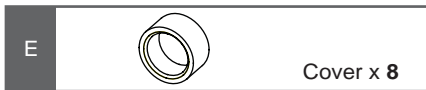
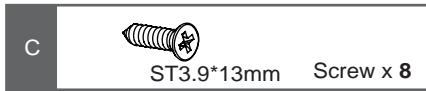
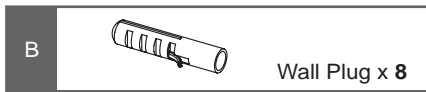
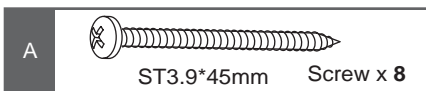
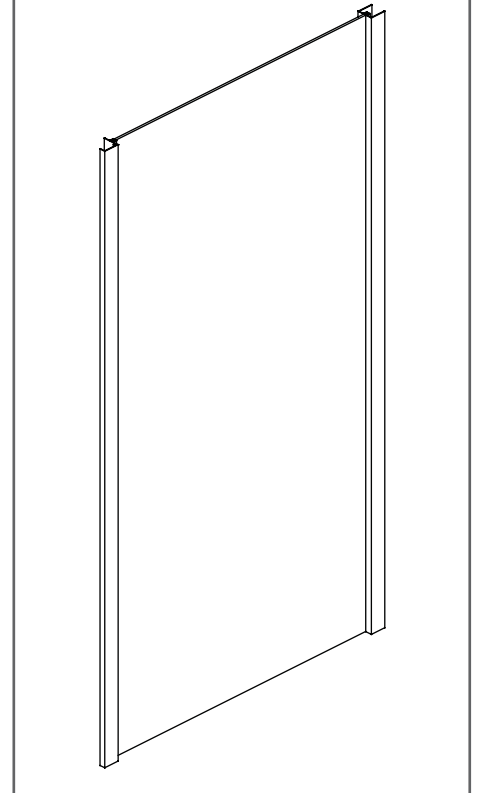
CONTENTS

DOOR IN ALCOVE



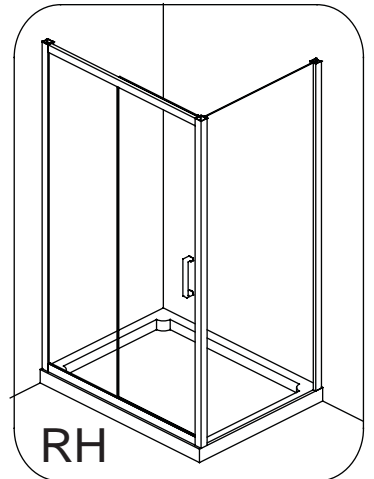
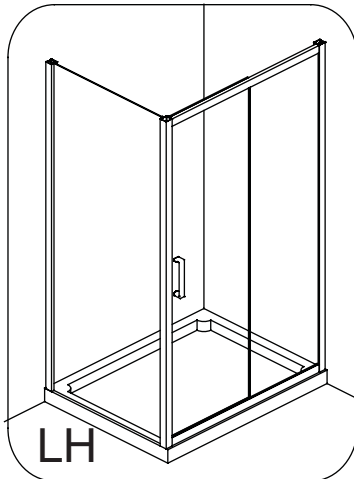
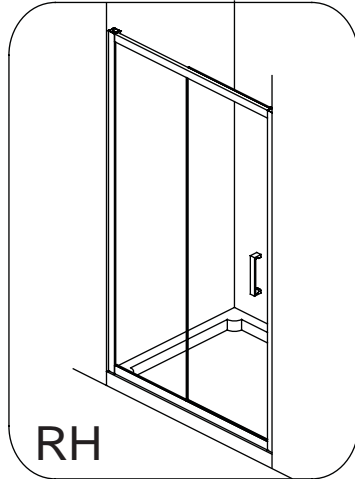
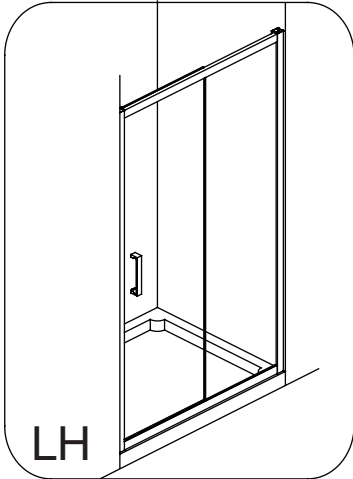
DOOR & SIDE PANEL

See pages 9 - 12



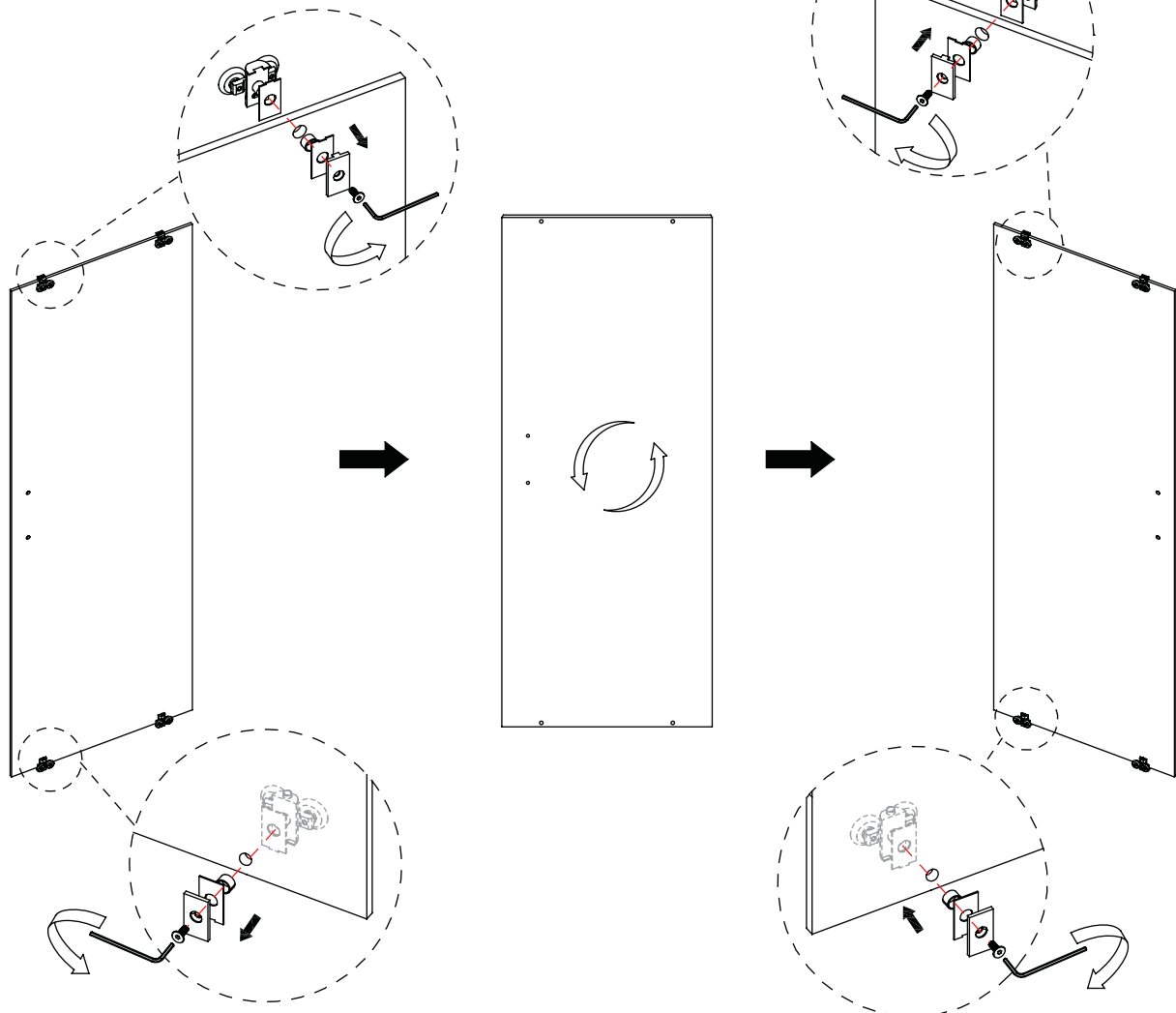
Tools and equipment needed

Drill, 6mm Masonry drill bit, 2.8mm General drill bit, Philips screwdriver, Slotted screwdriver, Spirit level, Pencil, Tape measure, Silicone sealant.



The Slider shower enclosure is reversible for left or right hand fitting. While the installation of the enclosure is LH, You just ignore the diagram below. For the RH installation, the diagram below should be followed.

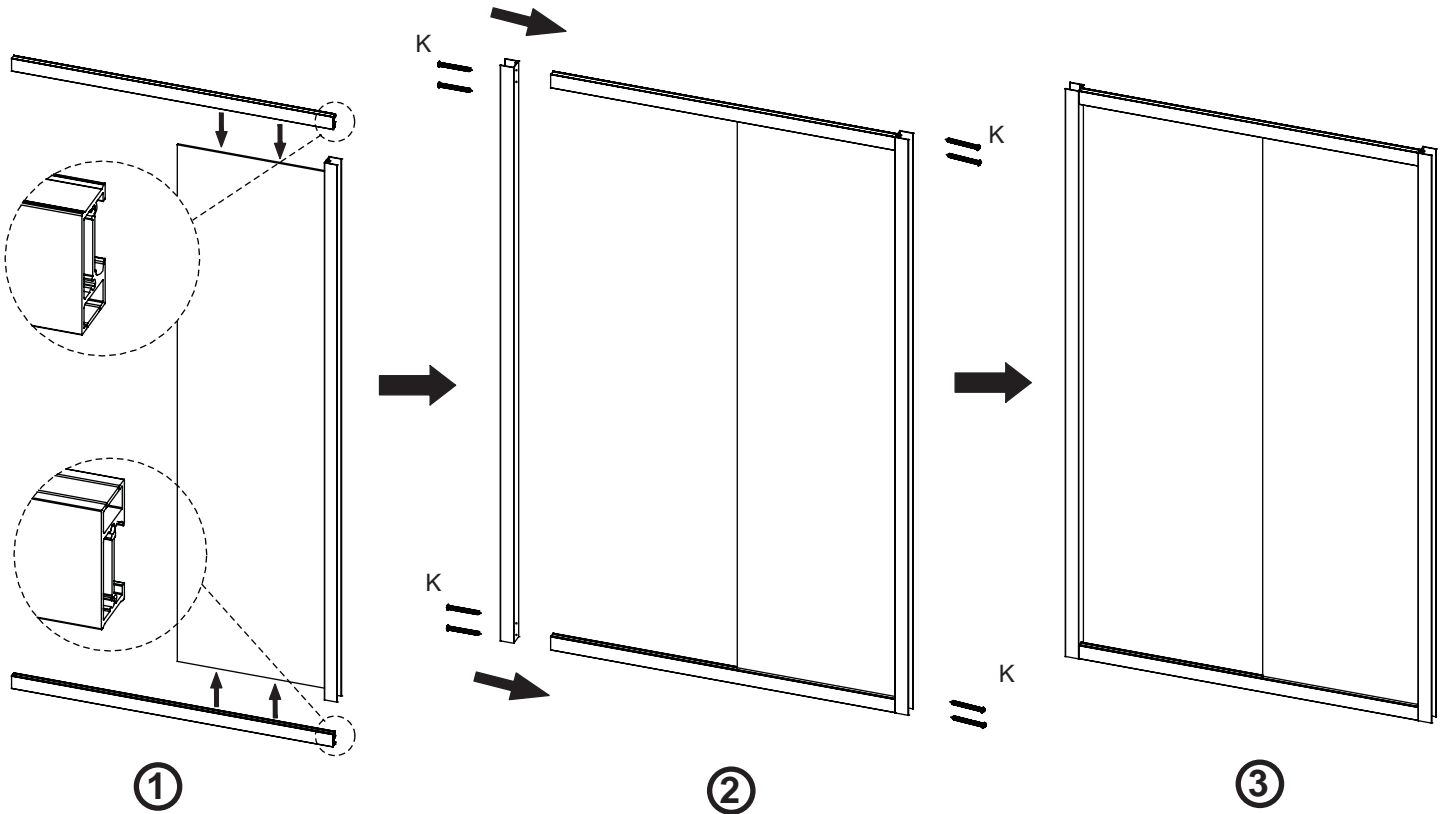
- 1: Disassemble the top and bottom roller using the tool (J).
- 2: Turn the glass up side down.
- 3: Reinstall the top and bottom roller.



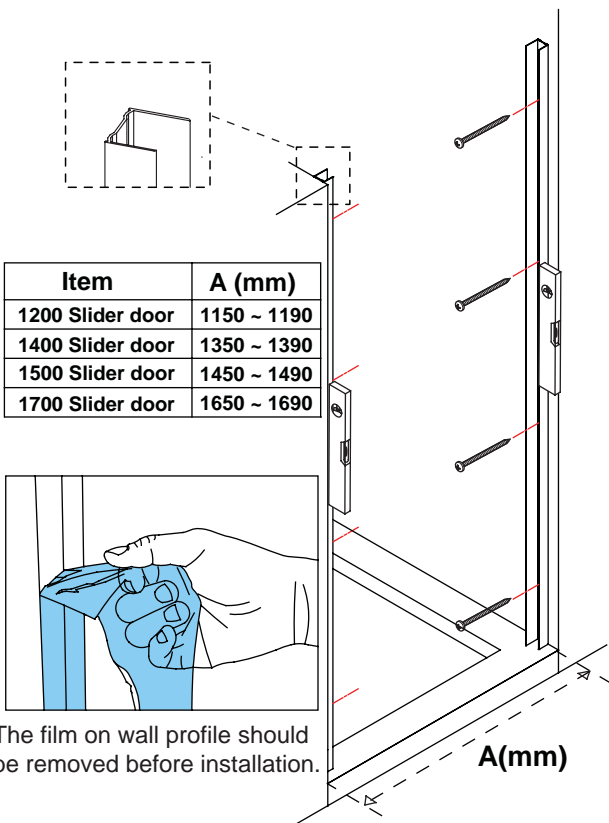
SLIDER DOOR IN ALCOVE

Step 1

Assemble the enclosure using the screws (K) as the diagram below.



Step 2 - FITTING AND POSITIONING WALL CHANNEL

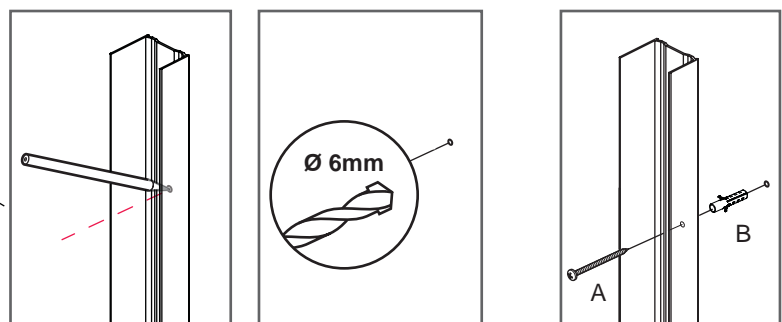


Remove both wall channels from the glass panel frame. **Note:** Ensure the longer leg of each wall channel is on the inside of the enclosure when fixing. Place each wall channel in position on the tray (10 - 15mm in from the outer edge of the tray), use a spirit level to ensure that they are vertical and mark all 8 fixing holes onto the wall.

Drill holes in the positions marked using a 6mm masonry drill bit. Insert wall plugs (B) into all of the holes (beyond the thickness of the tile).

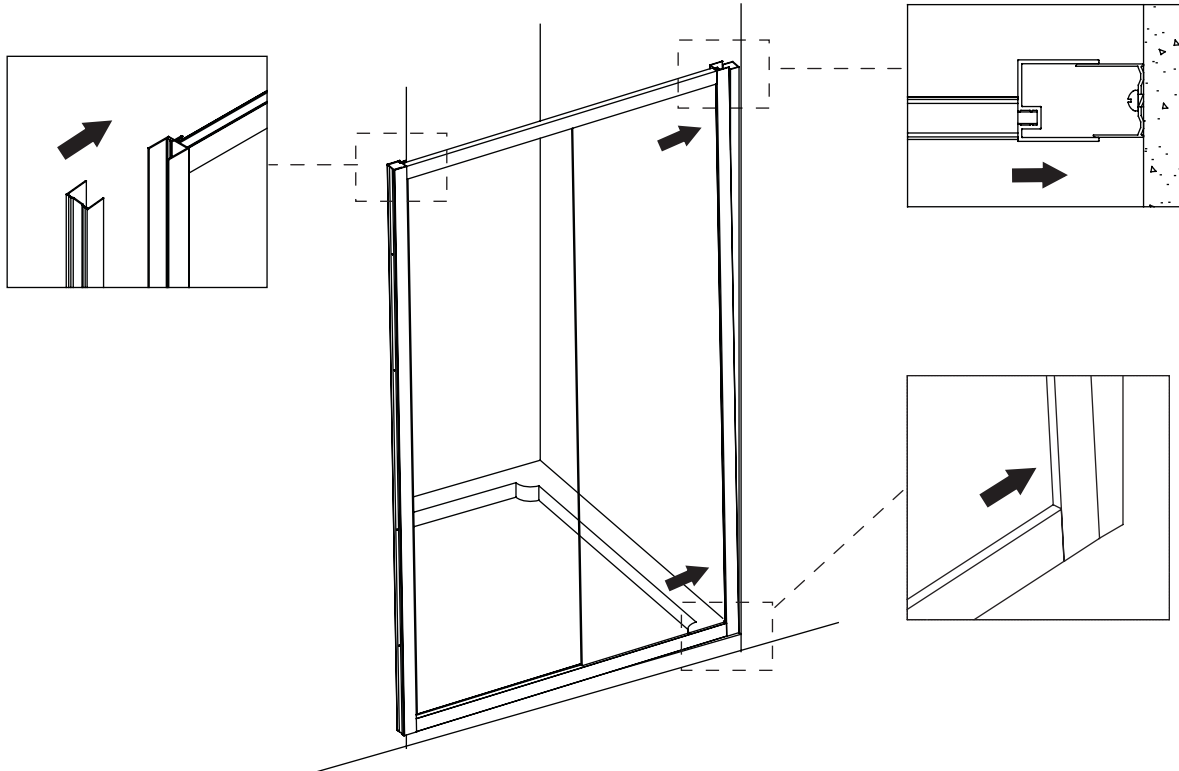
On fixed glass side only: Fix the wall channel to the wall using screws (A).

Note: Inject silicone sealant into the holes before inserting the screws to seal the holes.



Step 3

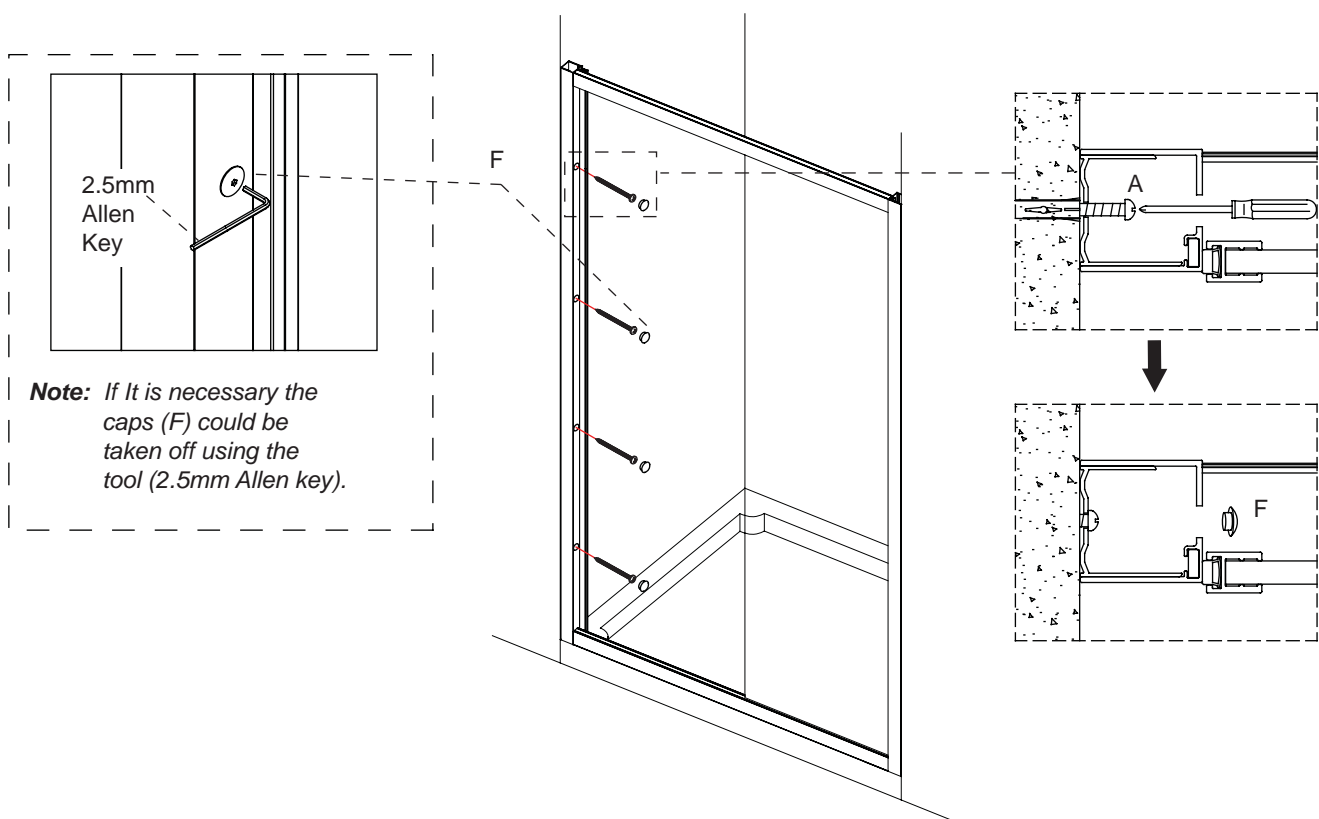
Push the remaining wall channel back onto the glass panel frame on the opening/handle side of the door (with the longer leg on the inside of the enclosure).
Insert the door into the 'fixed' wall channel and swing the free end into position on the opposite wall.



Step 4

Line up the fixing holes on the second wall channel with those on the wall and fix through the frame using screws (A) and push on all 4 hole caps (F).

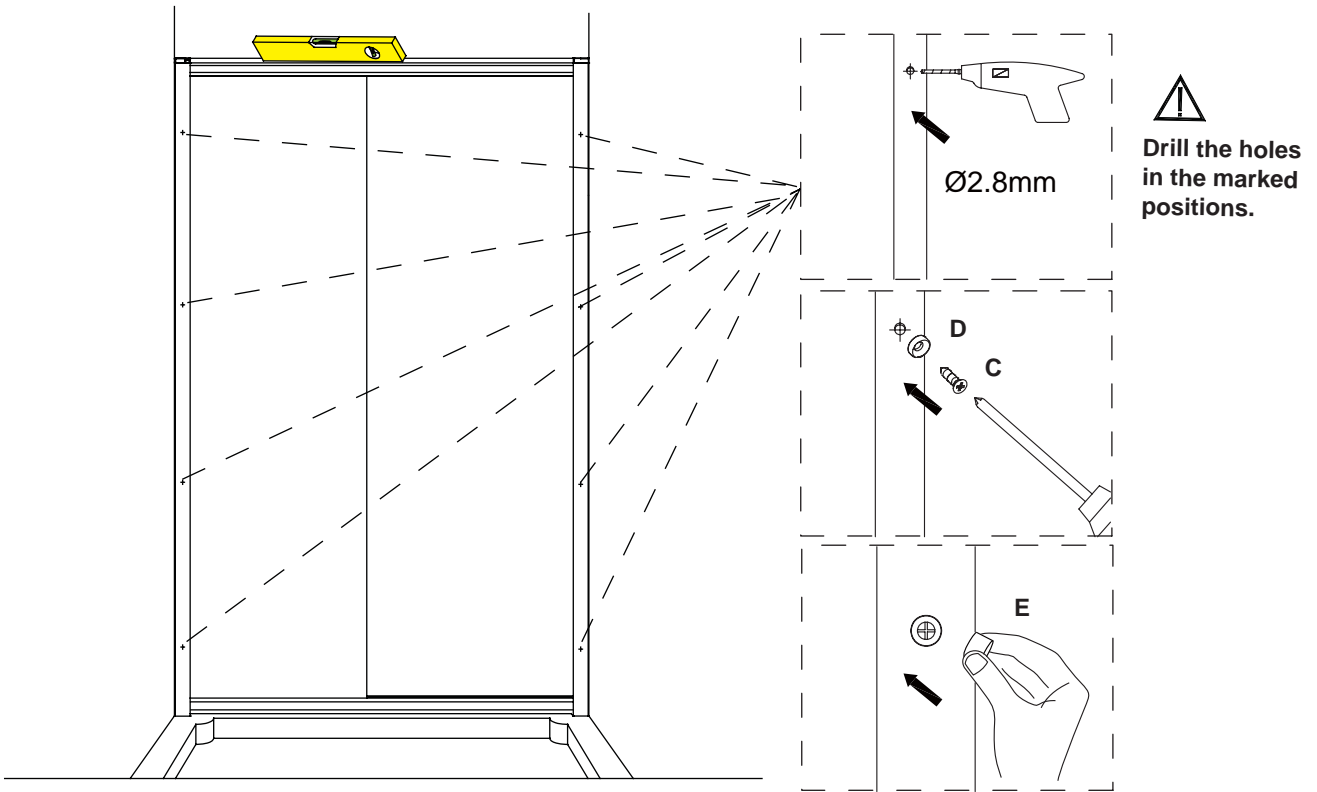
Note: inject silicone sealant into the holes before inserting the screws to seal the holes.



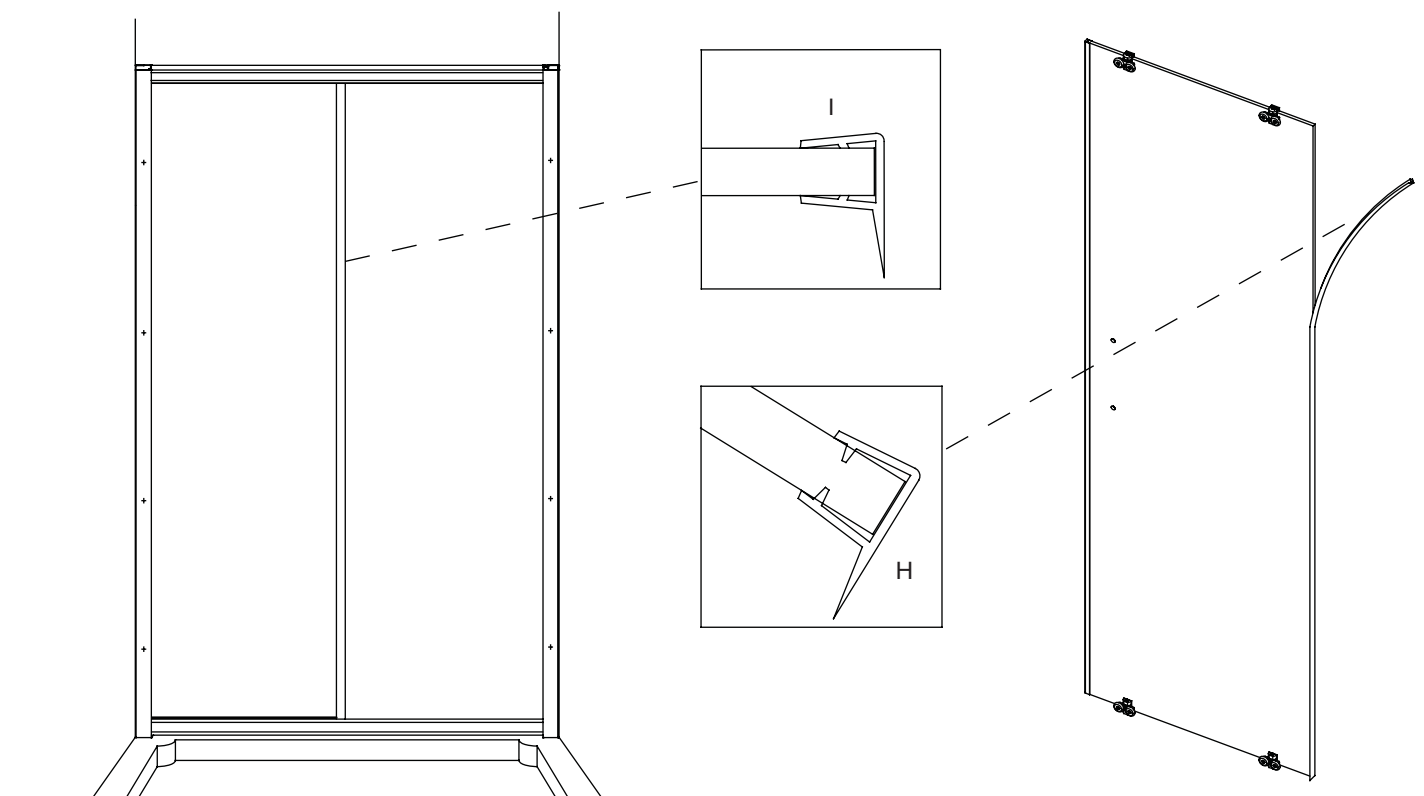
Step 5

Once you have checked that the glass panel frames centred between the wall channels and also sit horizontally and vertically, fix the glass panel frames to the wall channels.

From inside, drill 4 holes through the glass panel frame (**in the marked positions**) into the wall channels using a 2.8mm drill bit. Fix using washers (D), screws (C) and screw on the covers (E).

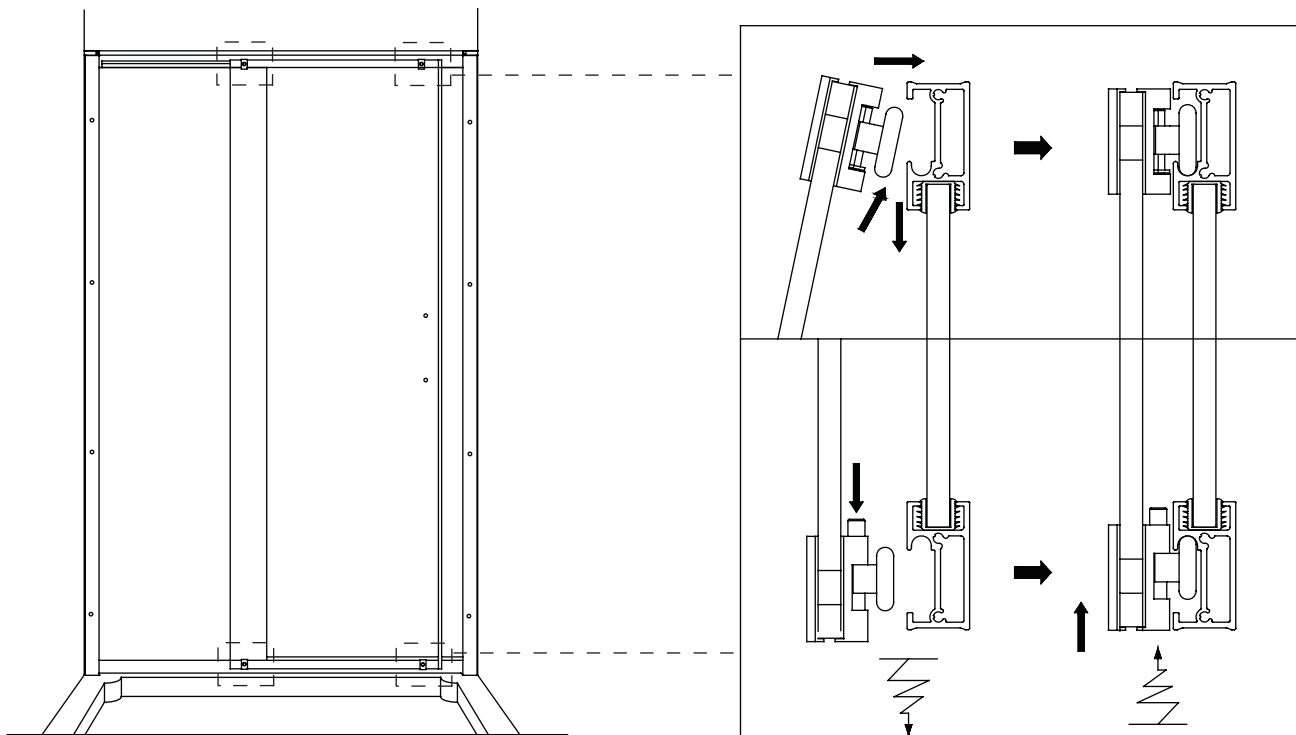


Step 6



Step 7

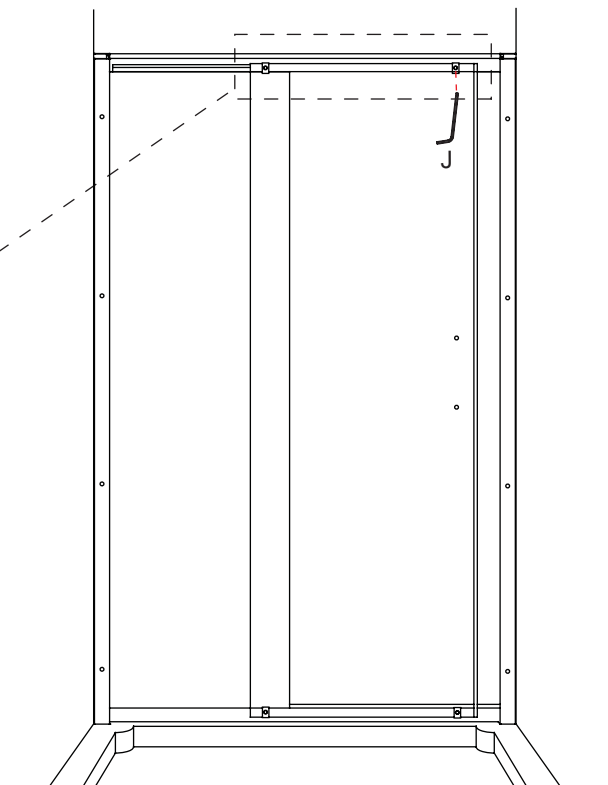
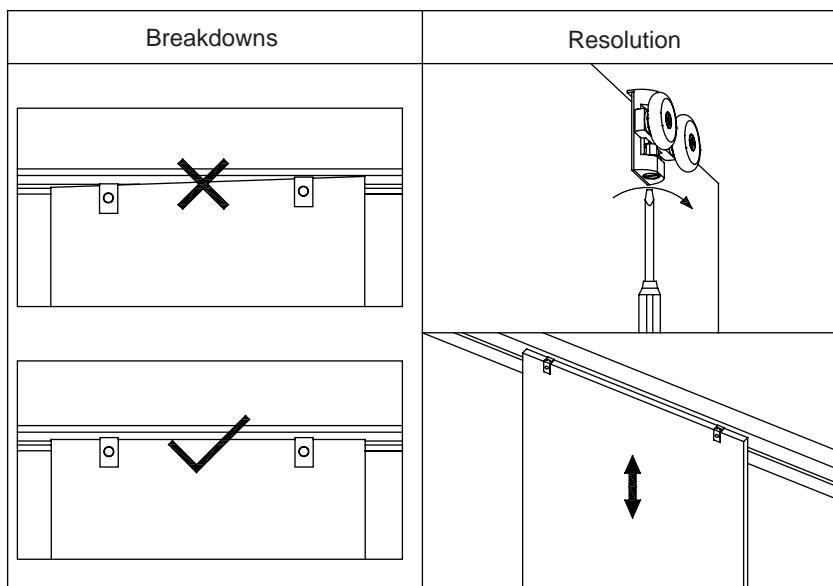
Firstly mount the top roller to the track, then press down the bottom roller to make it into the bottom track.



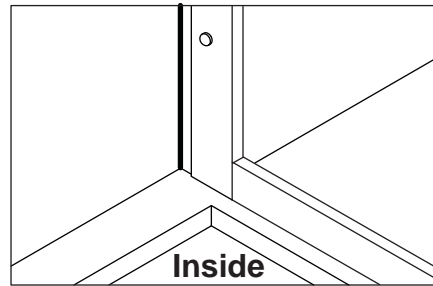
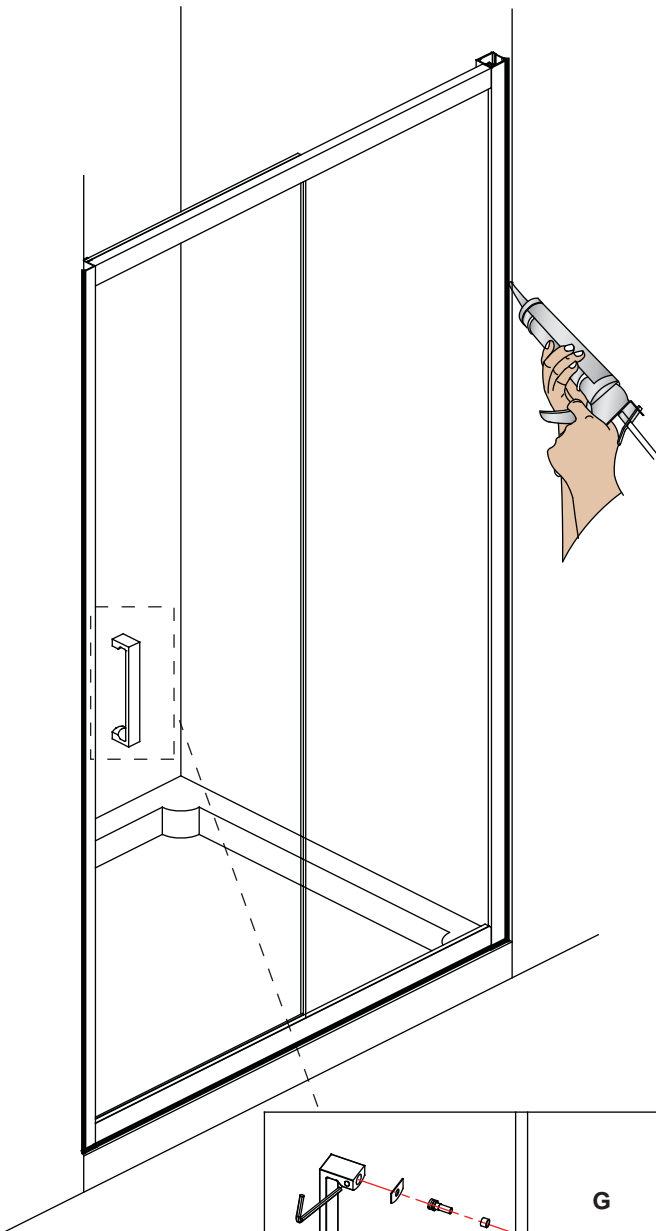
Only adjustment is required.

Please check that if the sliding door is skew or it can not work perfectly. Adjust the top roller, make the sliding door for fitness.

The top & bottom roller must be tightness, if not please use the allen key (J) to fix.



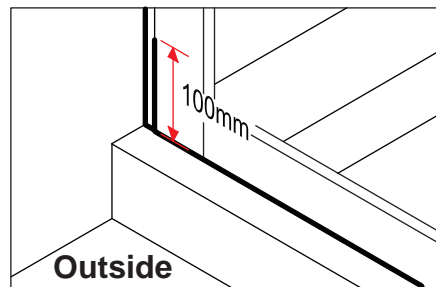
Step 8



Sealing inside:

Run a line of silicone sealant from top to bottom down the joint between the wall channels and tiles.

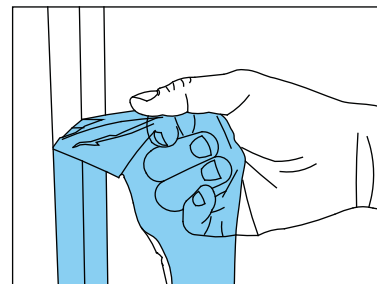
Do not seal the enclosure to the tray on the inside.



Sealing Outside:

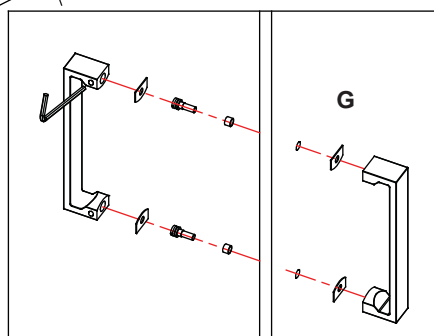
Run a line of silicone sealant from top to bottom down the joint between the wall channels and tiles.

Note: If required you can also run a line of silicone sealant 100mm up the joint where the door slots onto the wall channels.



Remove protecting film

Blue protective plastic film on profiles are used to protect the plating finish to avoid scratching during installation. Please remove them before sealing.



simpsons

For any further information please contact
Simpsons on: **0845 873 5808**

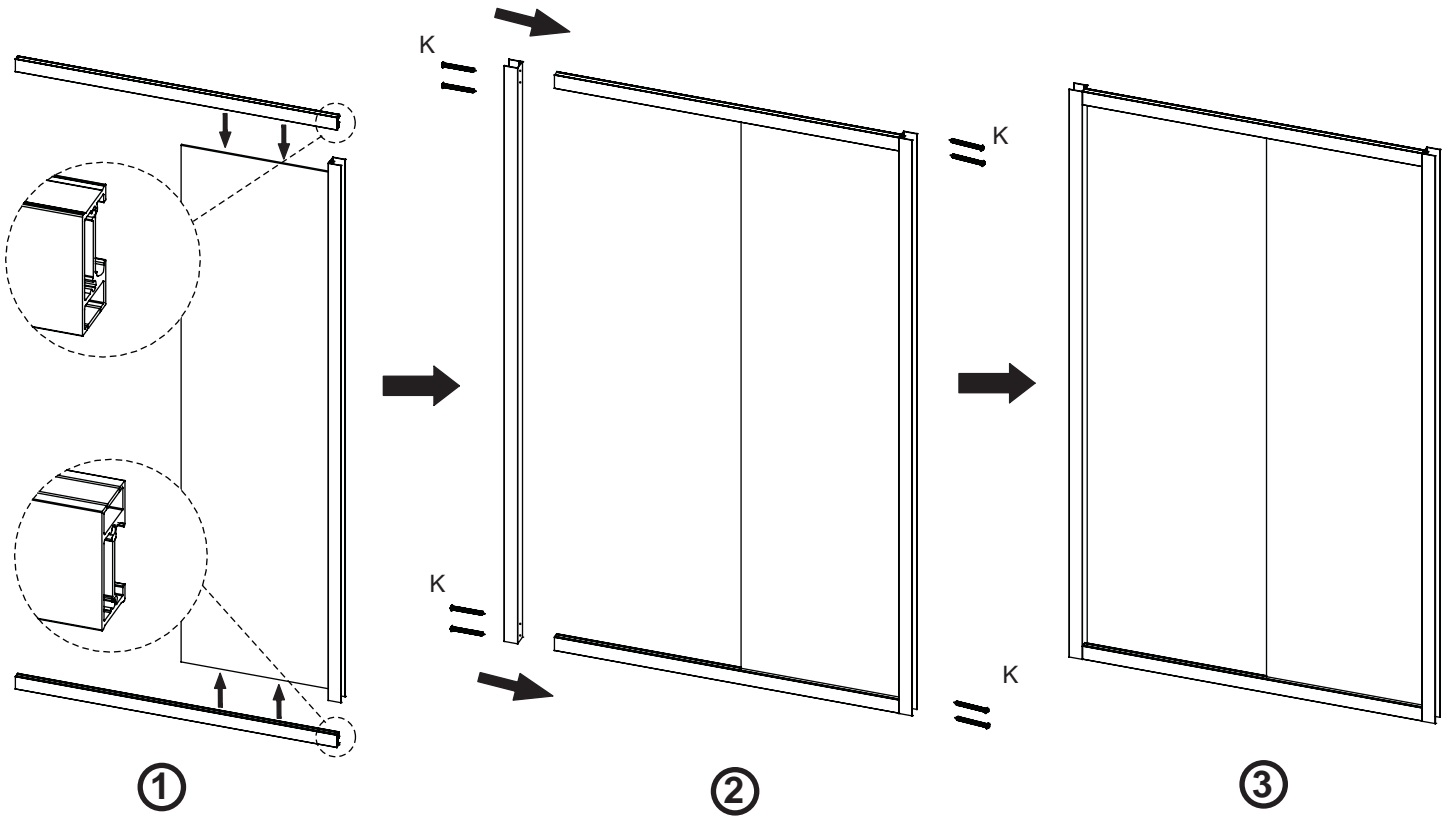
Or visit our web-site at:
www.simpsons-enclosures.co.uk

The manufacturer reserves the right to make
technical modifications without prior notice.

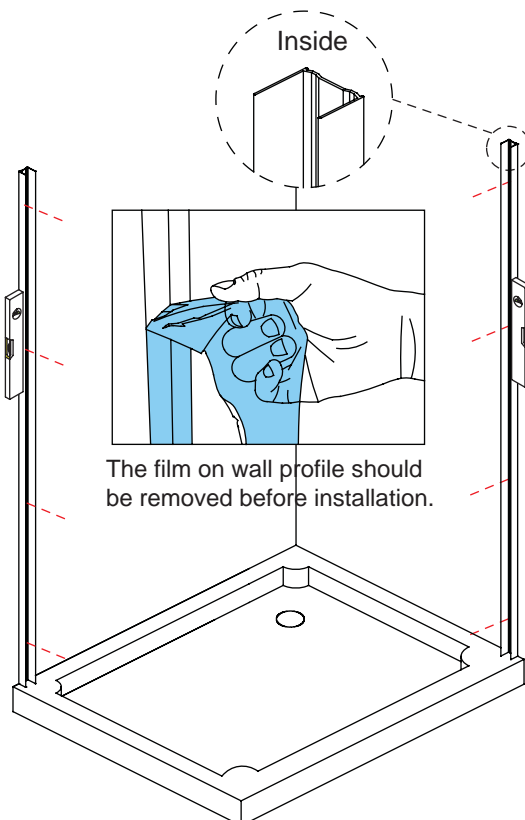
SLIDER DOOR & SIDE PANEL

Step 1

Assemble the enclosure using the screws (K) as the diagram below.



Step 2



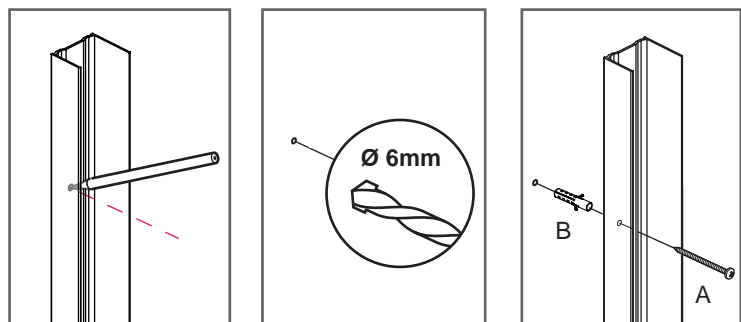
The film on wall profile should be removed before installation.

Remove both wall channels from the glass panel frame. **Note:** Ensure the longer leg of each wall channel is on the inside of the enclosure when fixing. Place each wall channel in position on the tray (10 - 15mm in from the outer edge of the tray), use a spirit level to ensure that they are vertical and mark all 8 fixing holes onto the wall.

Drill holes in the positions marked using a 6mm masonry drill bit. Insert wall plugs (B) into all of the holes (beyond the thickness of the tile).

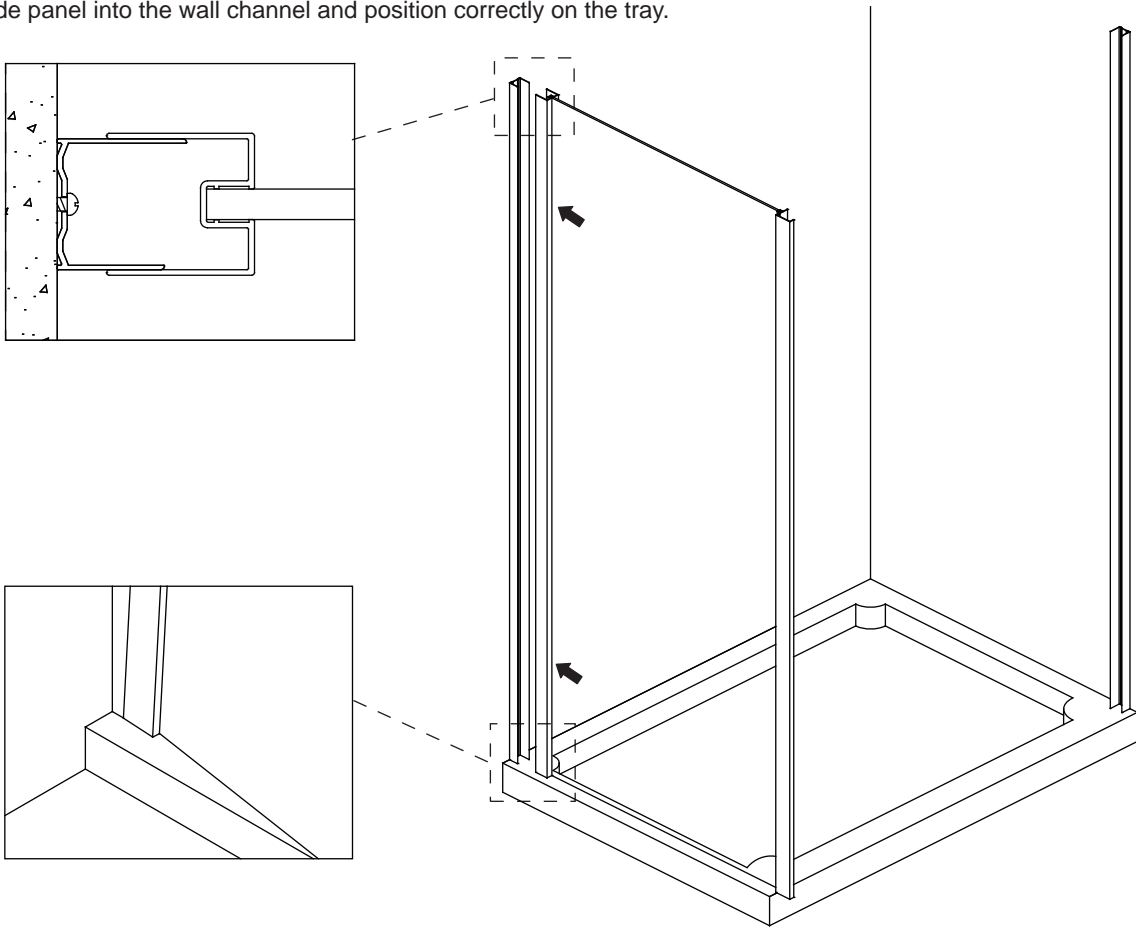
Fix the wall channels to the wall using screws (A).

Note: Inject silicone sealant into the holes before inserting the screws to seal the holes.



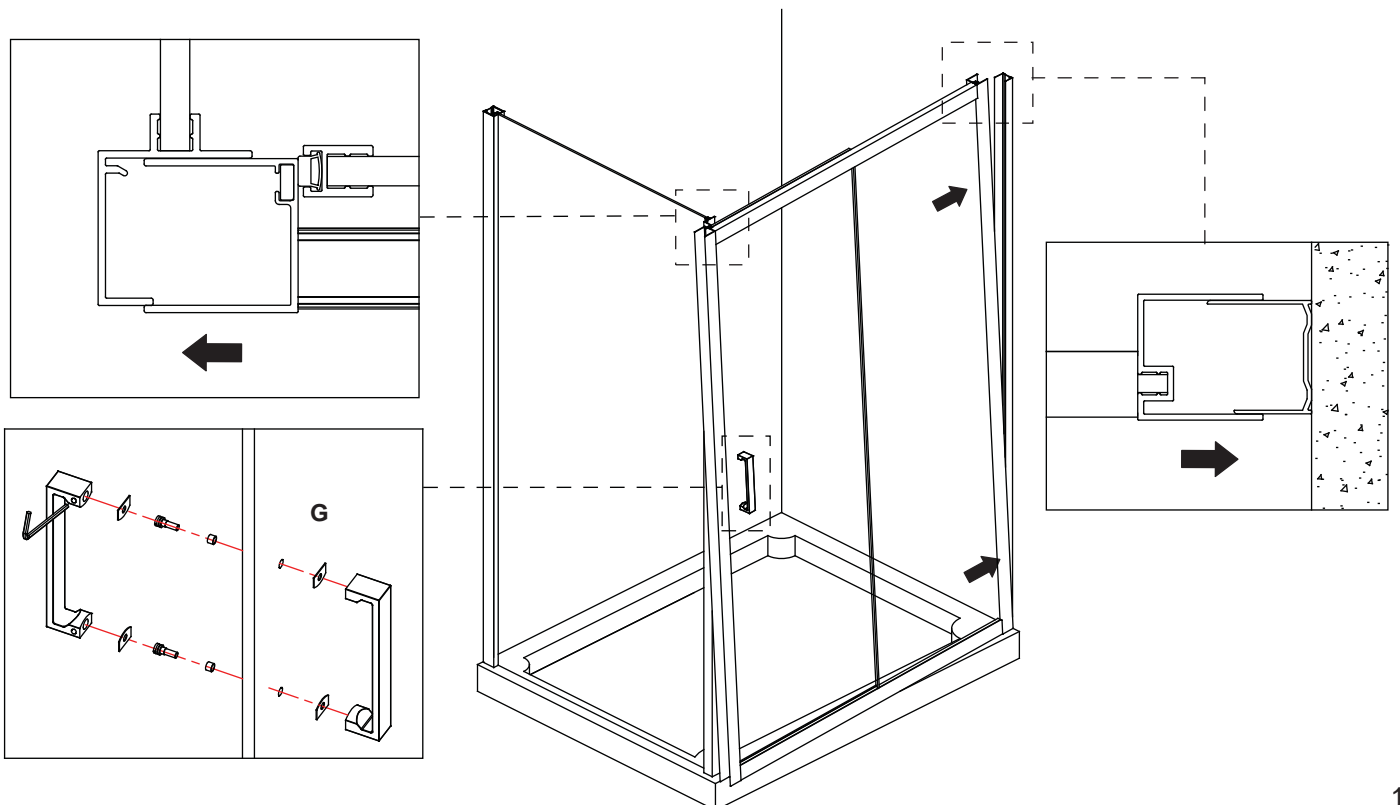
Step 3

Fit the side panel into the wall channel and position correctly on the tray.



Step 4

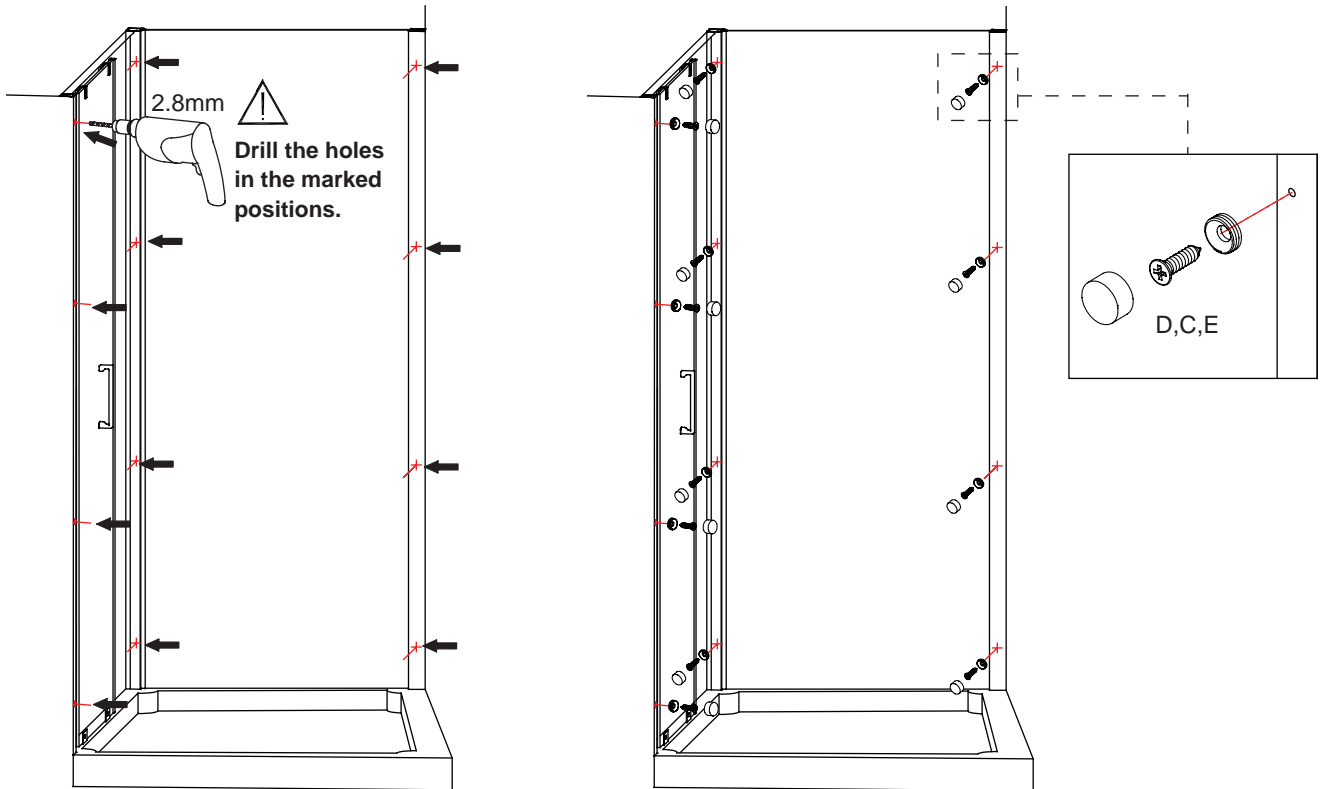
Fit the fixed glass frame onto the other wall channel and swing the free end into position on the tray. Push the other frame of door, make it into the frame of side panel. Attach the handle (G) into position.



Step 5

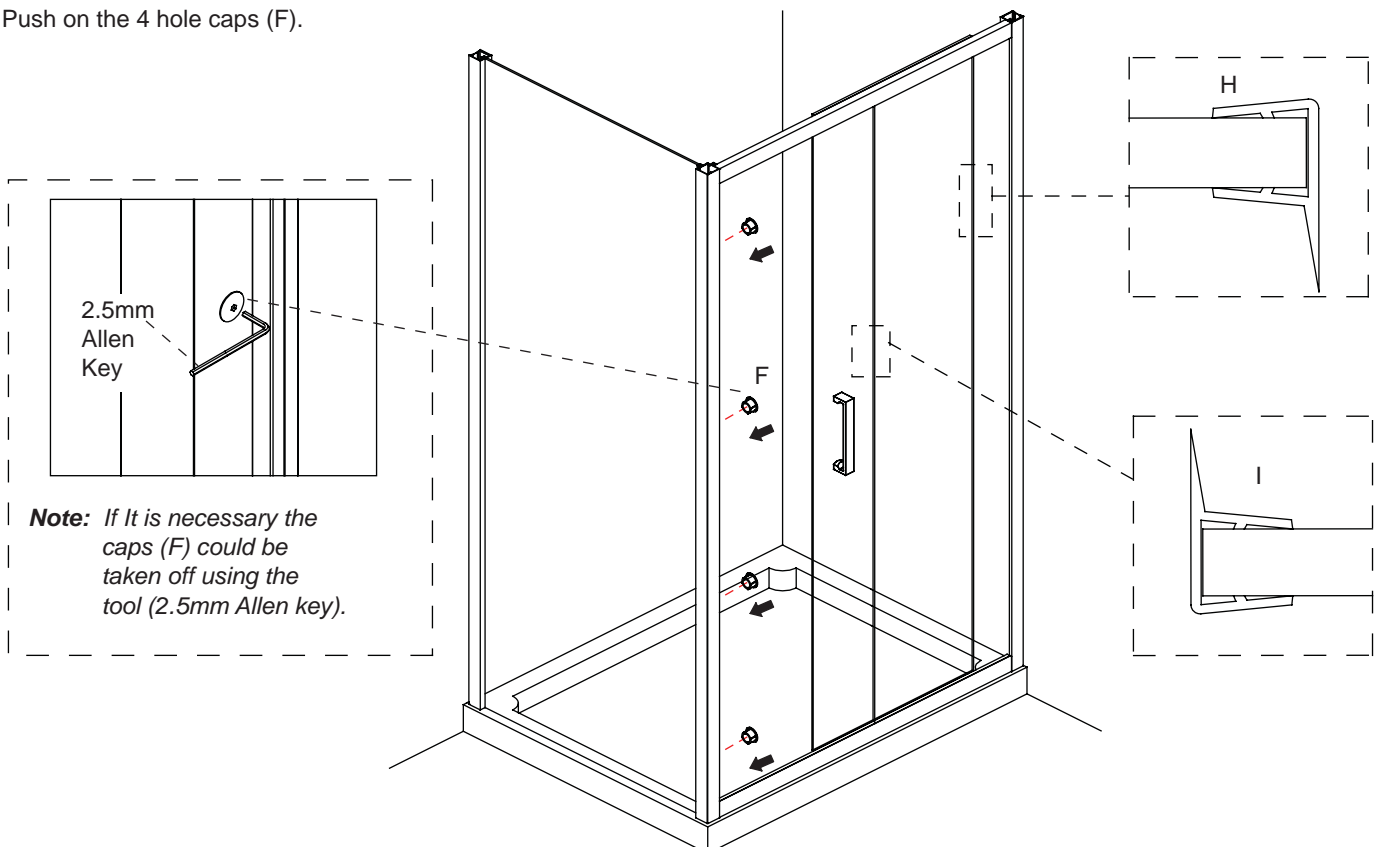
Once you have checked that the glass panel frames centred between the wall channels and also sit horizontally and vertically, fix the glass panel frames to the wall channels.

From inside, drill 4 holes through the glass panel frame (**in the marked positions**) into the wall channels using a 2.8mm drill bit. Fix using washers (D), screws (C) and screw on the covers (E).



Step 6

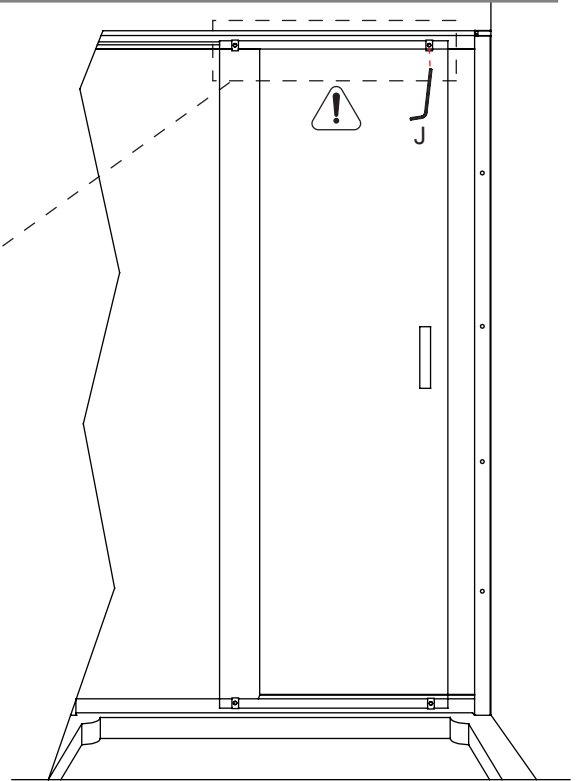
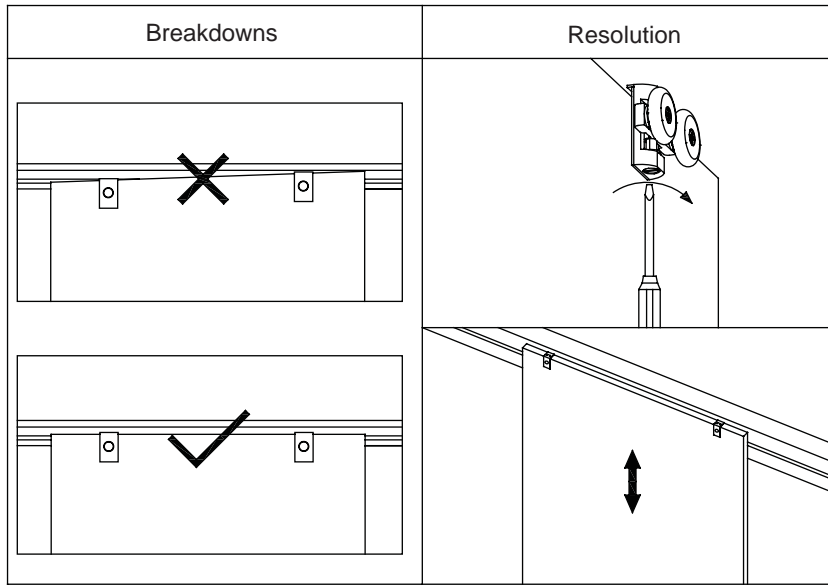
Push on the 4 hole caps (F).



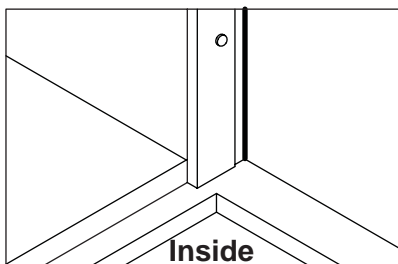
! Only if adjustment is required.

Please check that if the sliding door is skew or it can not work perfectly. Adjust the top roller, make the sliding door for fitness.

The top & bottom roller must be tightness, if not please use the allen key (J) to fix.



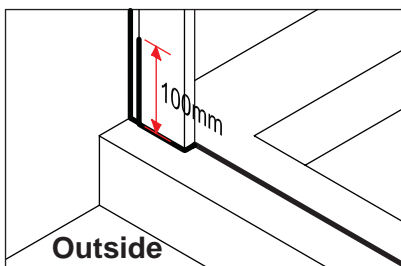
Step 7



Sealing inside:

Run a line of silicone sealant from top to bottom down the joint between the wall channels and tiles.

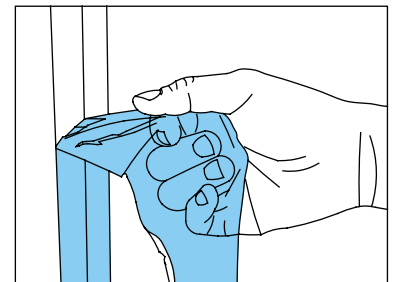
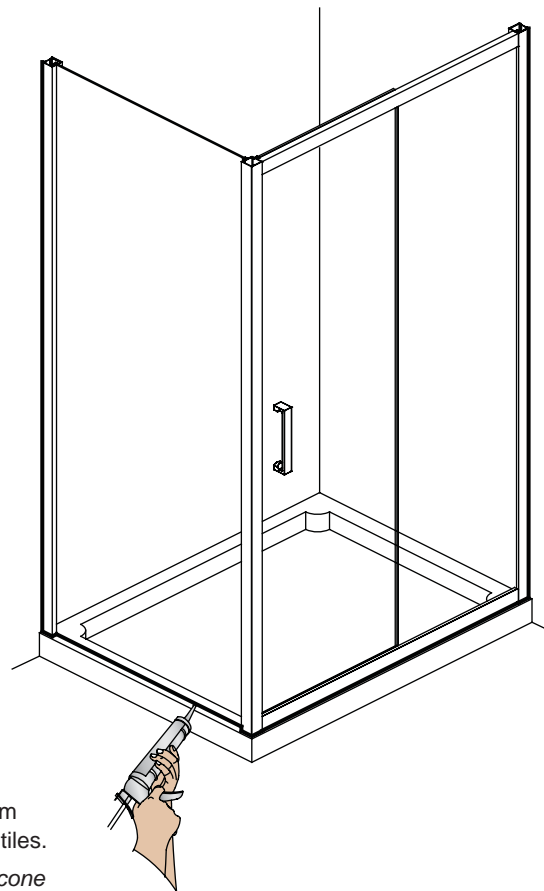
Do not seal the enclosure to the tray on the inside.



Sealing Outside:

Run a line of silicone sealant from top to bottom down the joint between the wall channels and tiles.

Note: If required you can also run a line of silicone sealant 100mm up the joint where the door slots onto the wall channels.



Remove protecting film

Blue protective plastic film on profiles are used to protect the plating finish to avoid scratching during installation. Please remove them before sealing.

PURCHASERS GUARANTEE

The product guarantee number applies to the purchaser and is non transferrable.

Guarantee No.



For any further information please contact Simpson's on: **0845 873 5808**

Or visit our web-site at:
www.simpsons-enclosures.co.uk

The manufacturer reserves the right to make technical modifications without prior notice.