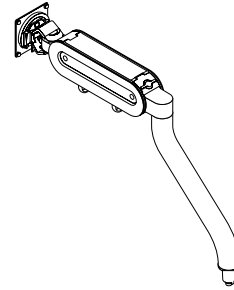




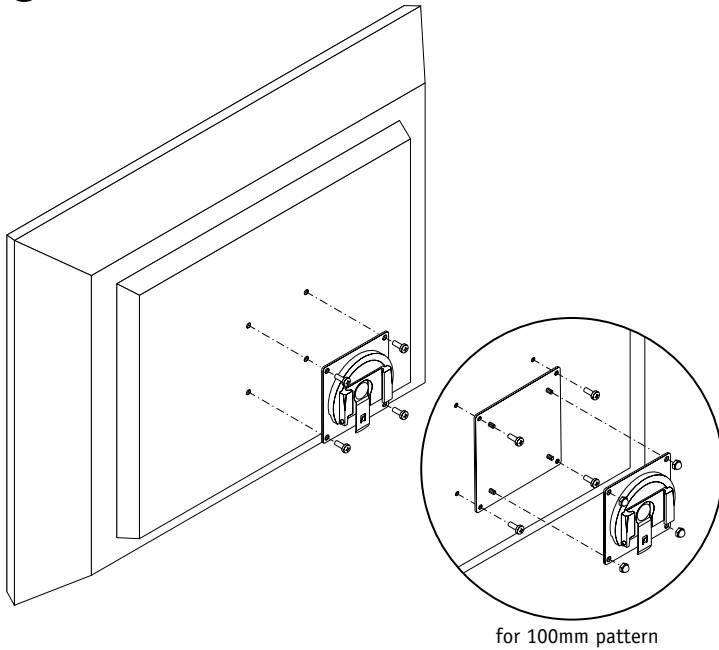
Installation Instructions

003876D Rev C

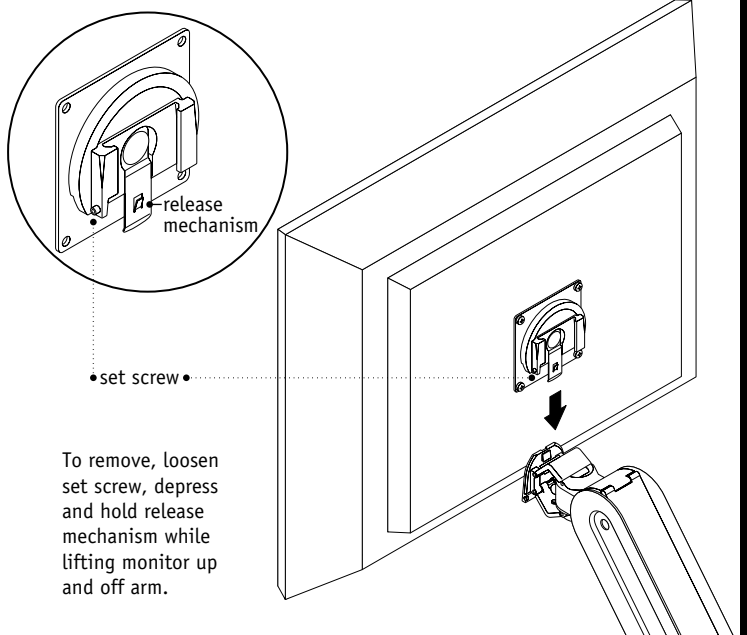


FYI Single Monitor Arm
FPASINGLE

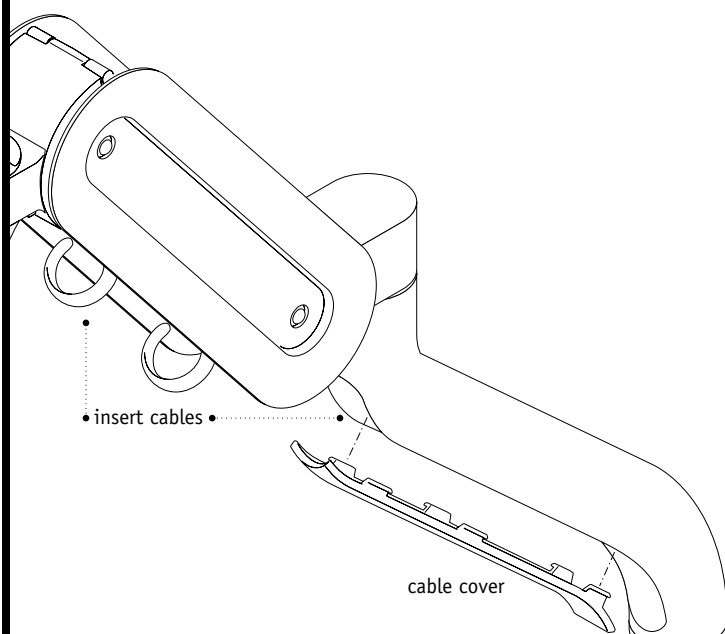
- 1** Attach 75mm or 100mm VESA Bracket to backside of monitor.



- 2** Slide monitor mount assembly onto end of arm until audible “click” is heard. Tighten set screw to prevent removal of monitor.

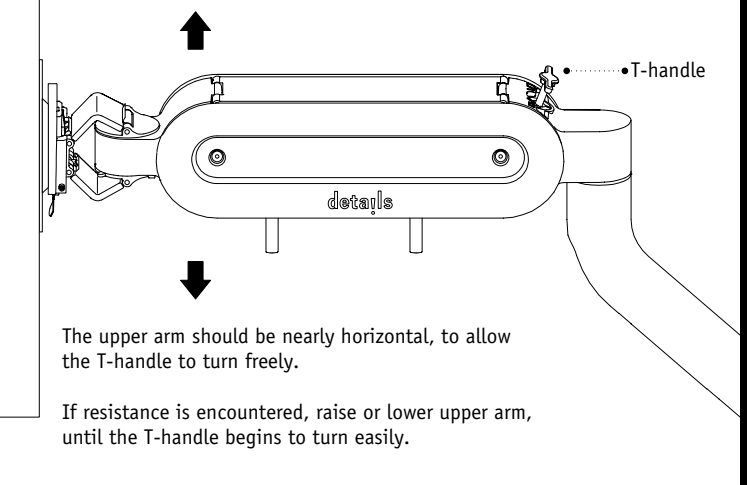


- 3** Gently pry off cable cover on the bottom of the arm. Insert cables into arm cavity and through two loops under the arm. Press cover back into place.



- 4** Adjust T-handle to accommodate weight of monitor. The monitor should “float” (neither rise nor fall when the counterbalance is properly adjusted).

- If monitor **sinks** when installed, pull up the T-handle and turn **clockwise** until monitor “floats”.
- If monitor **rises** when installed, pull up the T-handle and turn **counter-clockwise** until monitor “floats”.



For a better day at work.™

details®

A STEELCASE COMPANY

www.details-worktools.com
Details Customer Alliance 800.833.0411
All rights reserved. Printed in U.S.A. 8/05