

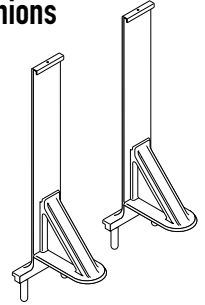


# Installation Instructions

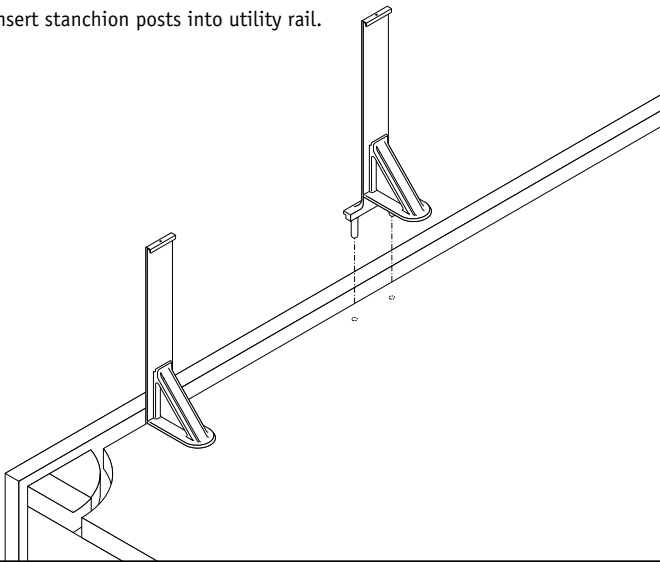
003115D Rev B

Context®  
Slatwall Stanchions

WBSXS



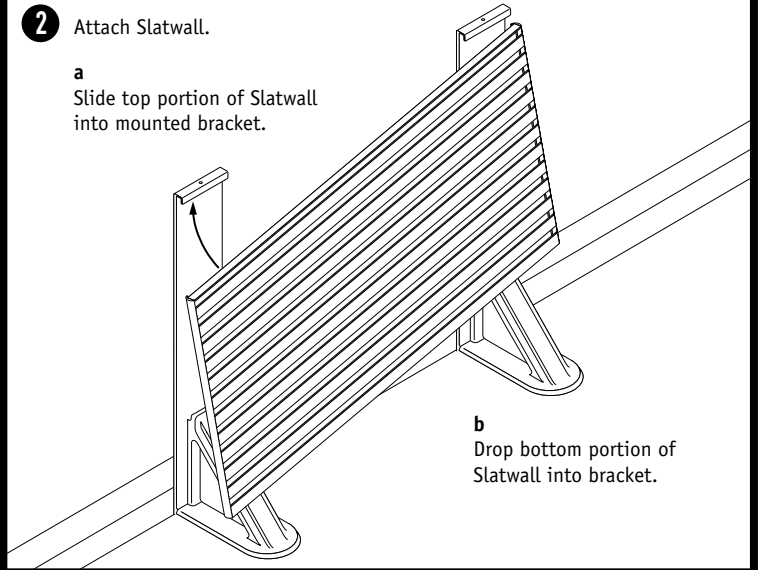
**1** Insert stanchion posts into utility rail.



**2** Attach Slatwall.

**a**  
Slide top portion of Slatwall into mounted bracket.

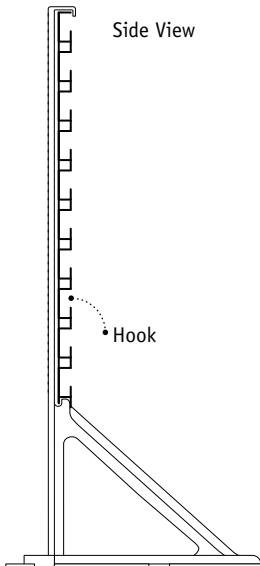
**b**  
Drop bottom portion of Slatwall into bracket.



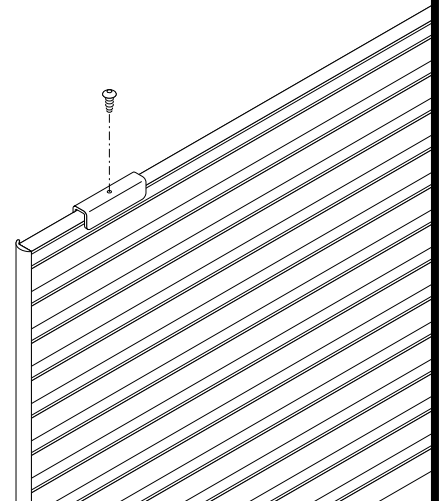
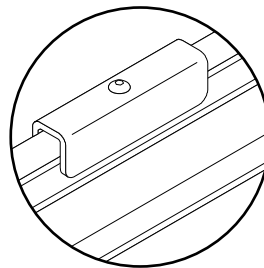
**3** **Note:**  
For proper installation, Slatwall hooks should be upward.

Side View

Hook



**4** Insert screws provided into top of each bracket to prevent accidental dislodgment.



For a better day at work.™

**details®**

A STEELCASE COMPANY

www.details-worktools.com  
P.O. Box 1967 Grand Rapids, MI 49501-1967  
All rights reserved. Printed in U.S.A. 1/05



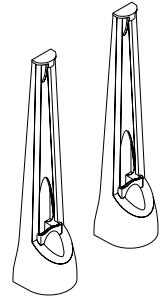
003116D Rev A

# Installation Instructions

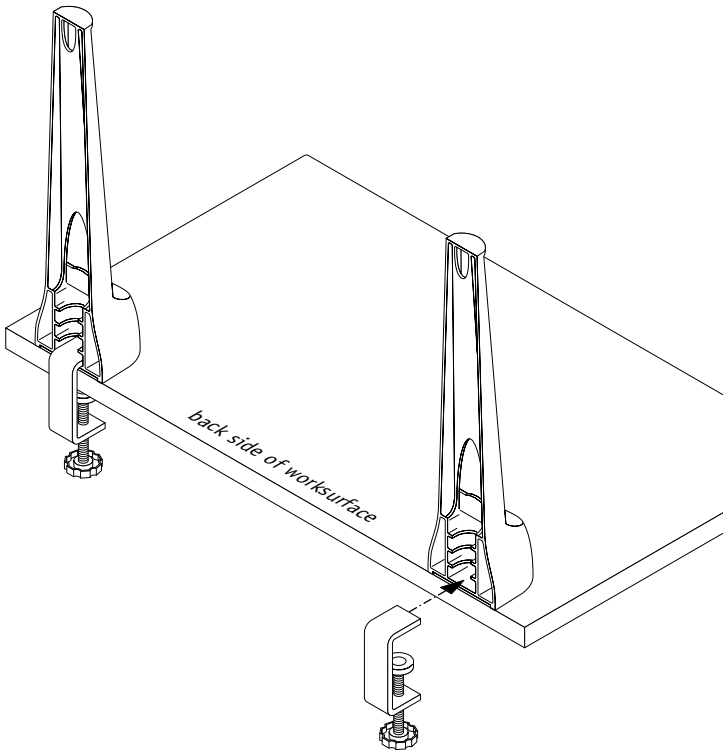
**Cautionary Note:** Not recommended for worksurfaces 18"D or less.

## Slatwall Freestanding Stanchions

WFCS

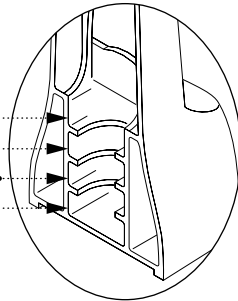


- 1 Attach freestanding stanchions to worksurface with provided C-clamps. Tighten knob to secure.



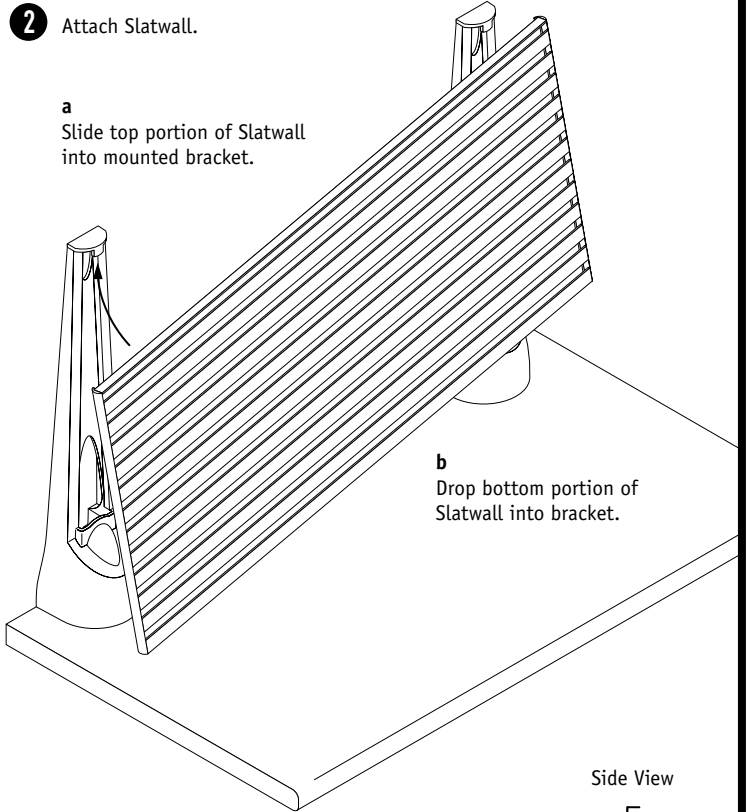
**Note:** Steps at the back accommodate varying worksurface thickness.

- Fourth step is not recommended in any application.
- Third step works with .5" – 1.525"-thick worksurfaces.
- Second step works with 1.525" – 2.26"-thick worksurfaces.
- First step works with 2.26" – 3"-thick worksurfaces.

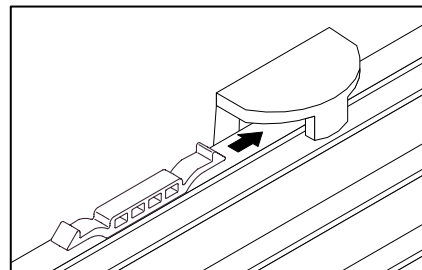


**Note:** For Secant® worksurfaces, use the Secant Installation Instructions.

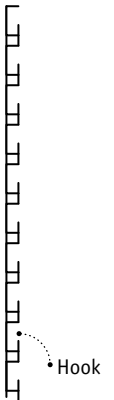
- 2 Attach Slatwall.



- c Insert Slatwall Retention Clip into top of each stanchion to prevent accidental dislodgment.



Side View



**Note:** For proper installation, Slatwall hooks should be upward.

For a better day at work.™

# details®

A STEELCASE COMPANY

www.details-worktools.com  
P.O. Box 1967 Grand Rapids, MI 49501-1967  
All rights reserved. Printed in U.S.A. 1/05

For Secant® Worksurfaces Only!

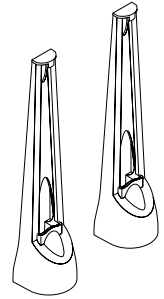


# Installation Instructions

**Cautionary Note:** Not recommended for worksurfaces 18"D or less.

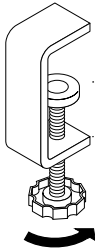
Slatwall  
Freestanding  
Stanchions

WFCS



003118D Rev A

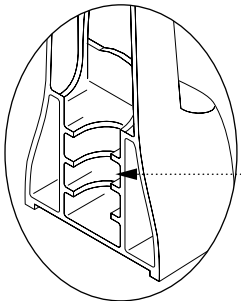
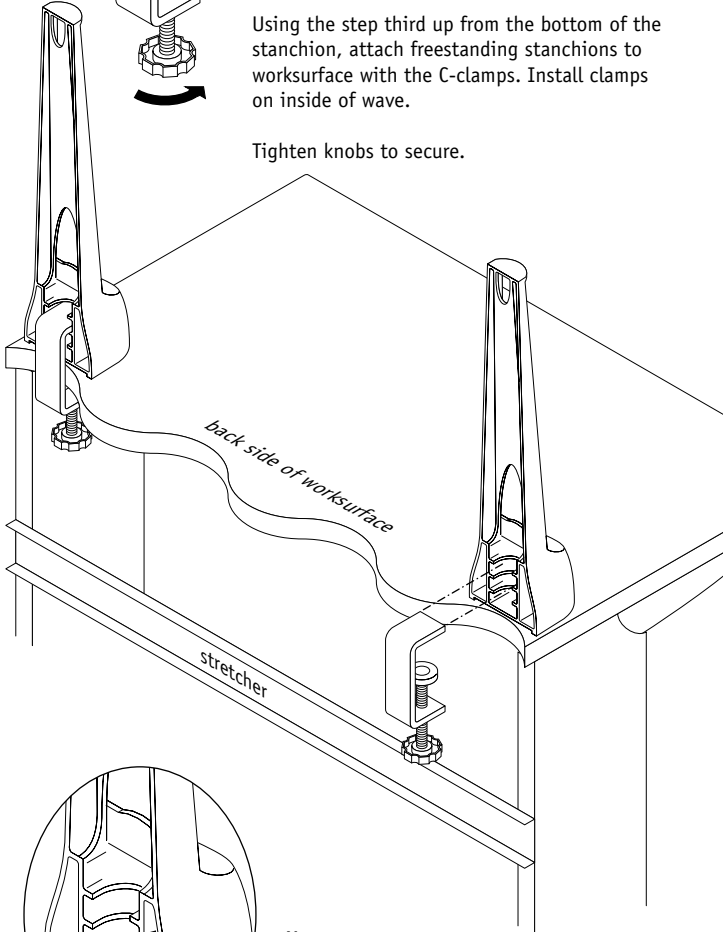
1



Rotate knob upward so this distance is approximately .75" in order for the knob to clear the stretcher.

Using the step third up from the bottom of the stanchion, attach freestanding stanchions to worksurface with the C-clamps. Install clamps on inside of wave.

Tighten knobs to secure.

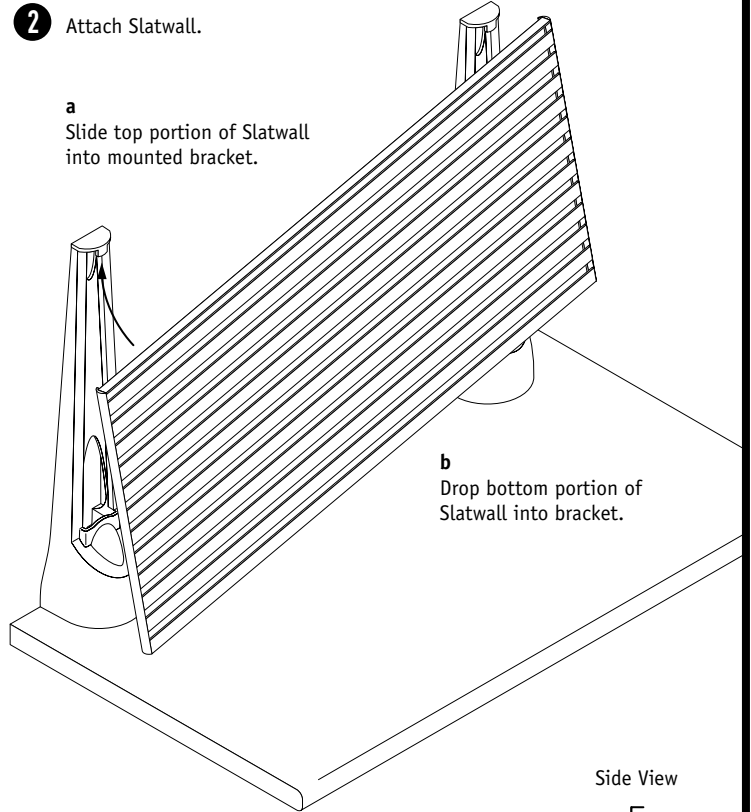


**Note:**  
For Secant worksurfaces, **you must** use the step third up from the bottom of the stanchion.

2

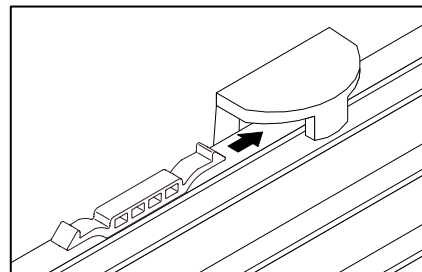
Attach Slatwall.

**a**  
Slide top portion of Slatwall into mounted bracket.

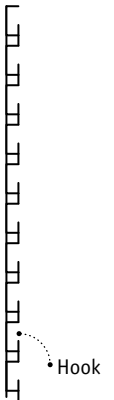


**b**  
Drop bottom portion of Slatwall into bracket.

**c**  
Insert Slatwall Retention Clip into top of each stanchion to prevent accidental dislodgment.



Side View



**Note:**  
For proper installation, Slatwall hooks should be upward.

For a better day at work.™

**details®**

A STEELCASE COMPANY

www.details-worktools.com  
P.O. Box 1967 Grand Rapids, MI 49501-1967  
All rights reserved. Printed in U.S.A. 1/05