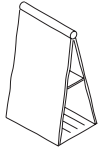
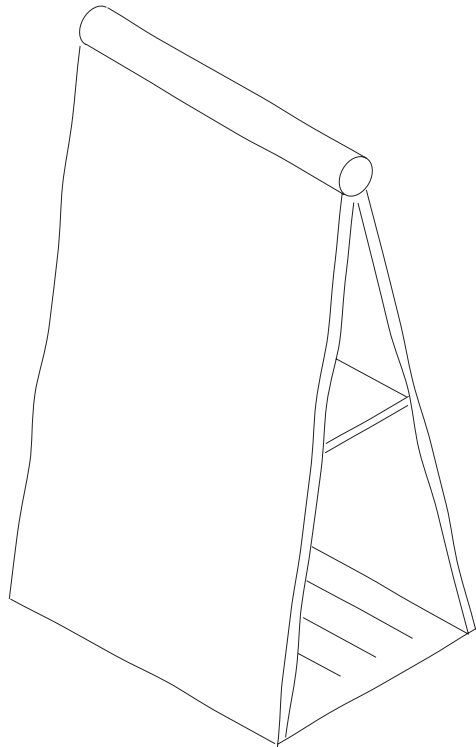


TS400C Mobile Easel



Please check all pieces before beginning this project. (This kit may contain extra screws for your convenience.) If there are any problems or discrepancies, call our customer service department at 1-800-turnstone.



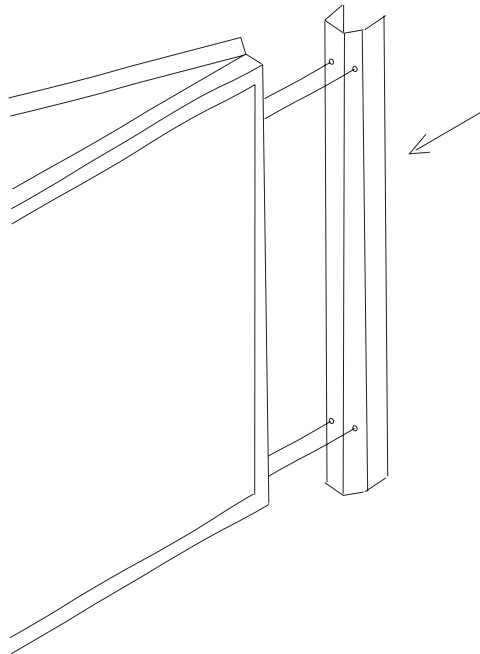
turnstone®

1. Unpack panels and parts

Unpack the easel panels, base, top plate and top cap on carpeting (to avoid scratches). Lay the panels on their edge with the marker board and tackable surfaces facing out. Place top edges (the ends with the flip chart hang posts) together and the bottom edges about 2 feet apart. You will need a #2 Phillips screwdriver and a soft rubber mallet to complete this installation.

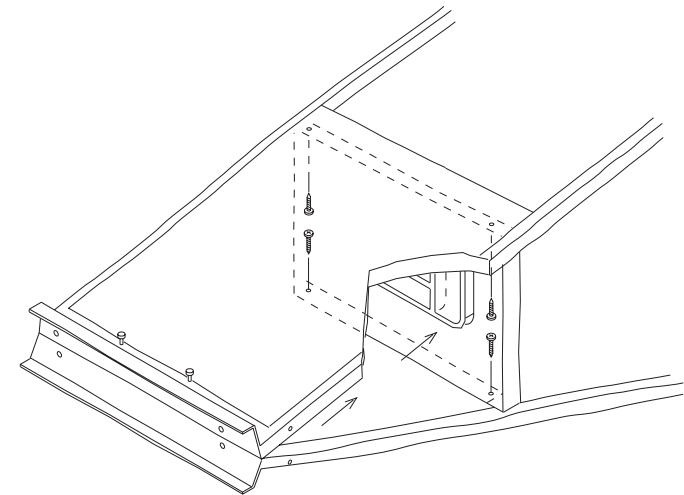
2. Attach top plate to panels

Attach the top plate to the top of the easel panel as shown using four (4) phillips head screws. Turn screws almost all the way in, but do not tighten yet - We will come back to tighten these later.



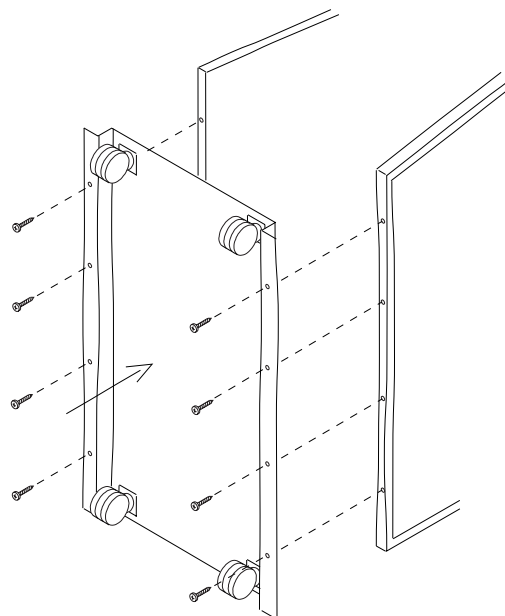
3. Attach center support and marker tray

Place center support in location between the panels with flat surface facing to the top plate. Attach center support to the edges of the panels with (4) screws in the round holes as shown. Snap the marker tray into the holes in the center support.



4. Attach base to panels and casters to base

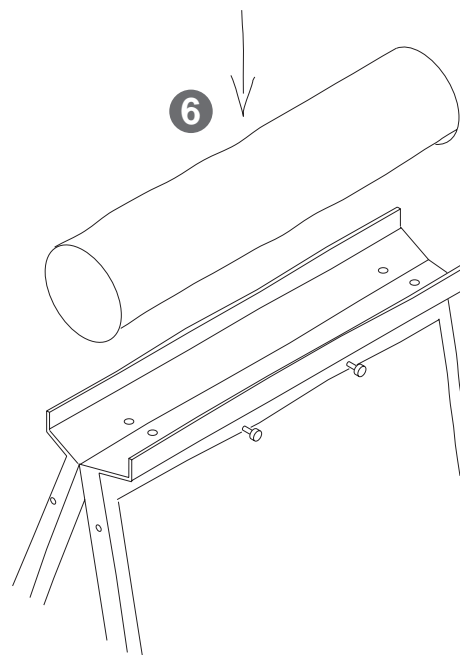
Attach the easel base to the panels using eight (8) phillips head screws as shown.

**5. Tighten screws in top plate**

After base is attached and screws are tightened, go back to step 2 and tighten the eight (8) screws holding the top plate on.

6. Attach top cap

Stand the easel upright onto its base with the casters on the floor. Snap the top cap over the top plate and push down into place, keeping both ends level as you attach into place.

**7. Scribble away!**

Here's the fun part...be sure to use only dry erase markers.