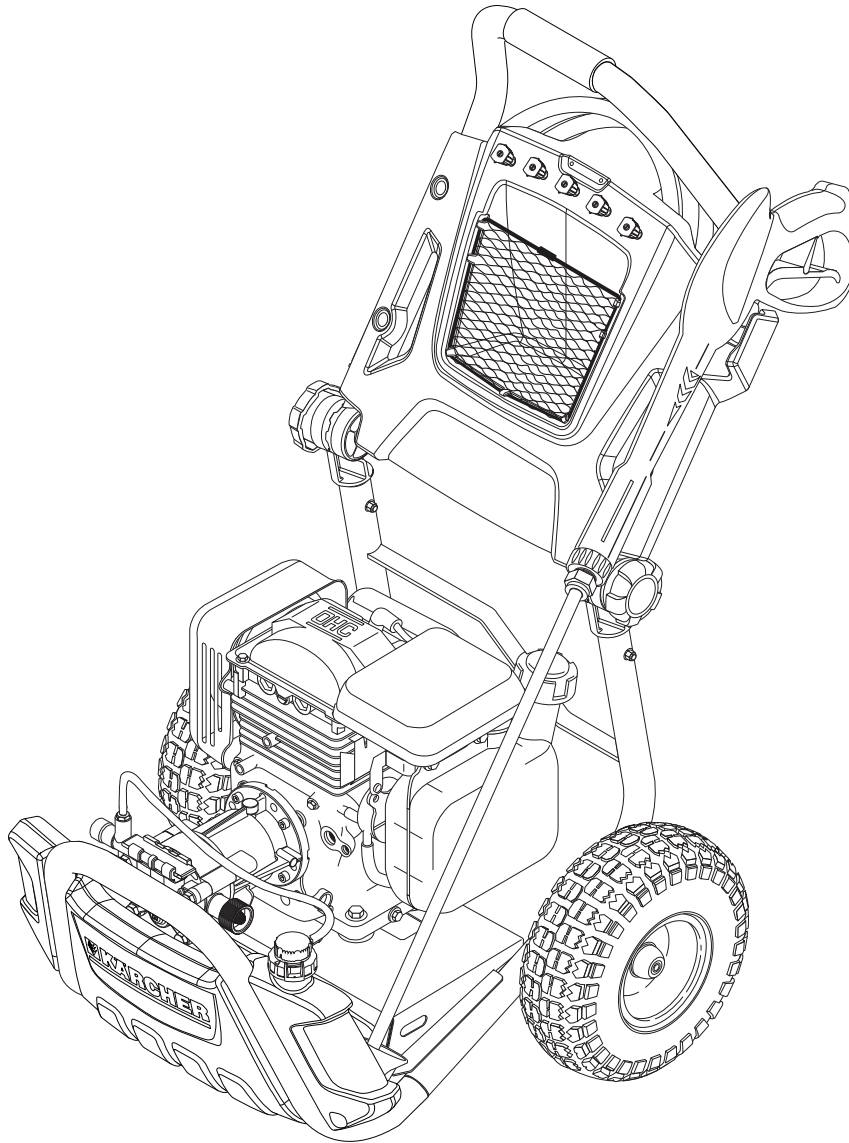




# G2600XH G2800XH



# HIGH PRESSURE WASHER OPERATOR MANUAL

Model Overview	3
Important Safety Instructions	4
Assembly Instructions	5
Operating Instructions	8
Using the Accessories	9
Working With Detergents	9
Taking a Break	10
Shutting Down & Clean-Up	10
Winterizing and Long-Term Storage	11
Maintenance Instructions	11
Cleaning Tips	11
Troubleshooting	13

## Specifications

G2600 XH	
Operating Pressure	2600 PSI
Water Volume	2.5 GPM
Detergent Suction	.15 - .20 GPM
Engine	Honda GC190
Part No.	1.107-154.0
Serial No.	

G2800 XH	
Operating Pressure	2800 PSI
Water Volume	2.5 GPM
Detergent Suction	.15 - .20 GPM
Engine	Honda GC190
Part No.	1.107-155.0
Serial No.	

## Safety Alert Symbols

### **DANGER**

indicates “an imminently hazardous situa which, if not avoided, will result in death or serious injury.”

### **WARNING**

indicates “a potentially hazardous situationwhich, if not avoided, could result in death or injury.”

### **CAUTION**

indicates “a potentially hazardous situation which, if not avoided, may result in minor or moderate injury or in property damage incidents.”

## Owner/User Responsibility

The owner and/or user must have an understanding of the manufacturer's operating instructions and warnings before using this pressure washer. Warning information should be emphasized and understood. If the operator is not fluent in English, the manufacturer's instructions and warnings shall be read to and discussed with the operator in the operator's native language by the purchaser/owner, making sure that the operator comprehends its contents. Owner and/or user must study and maintain for future reference the manufacturers' instructions.

### Kärcher Customer Support USA/ Canada

Call: **1-800-537-4129** for help or visit our website:

**[www.karcherresidential.com/home](http://www.karcherresidential.com/home)**

Please take a moment to register your pressure washer online at:

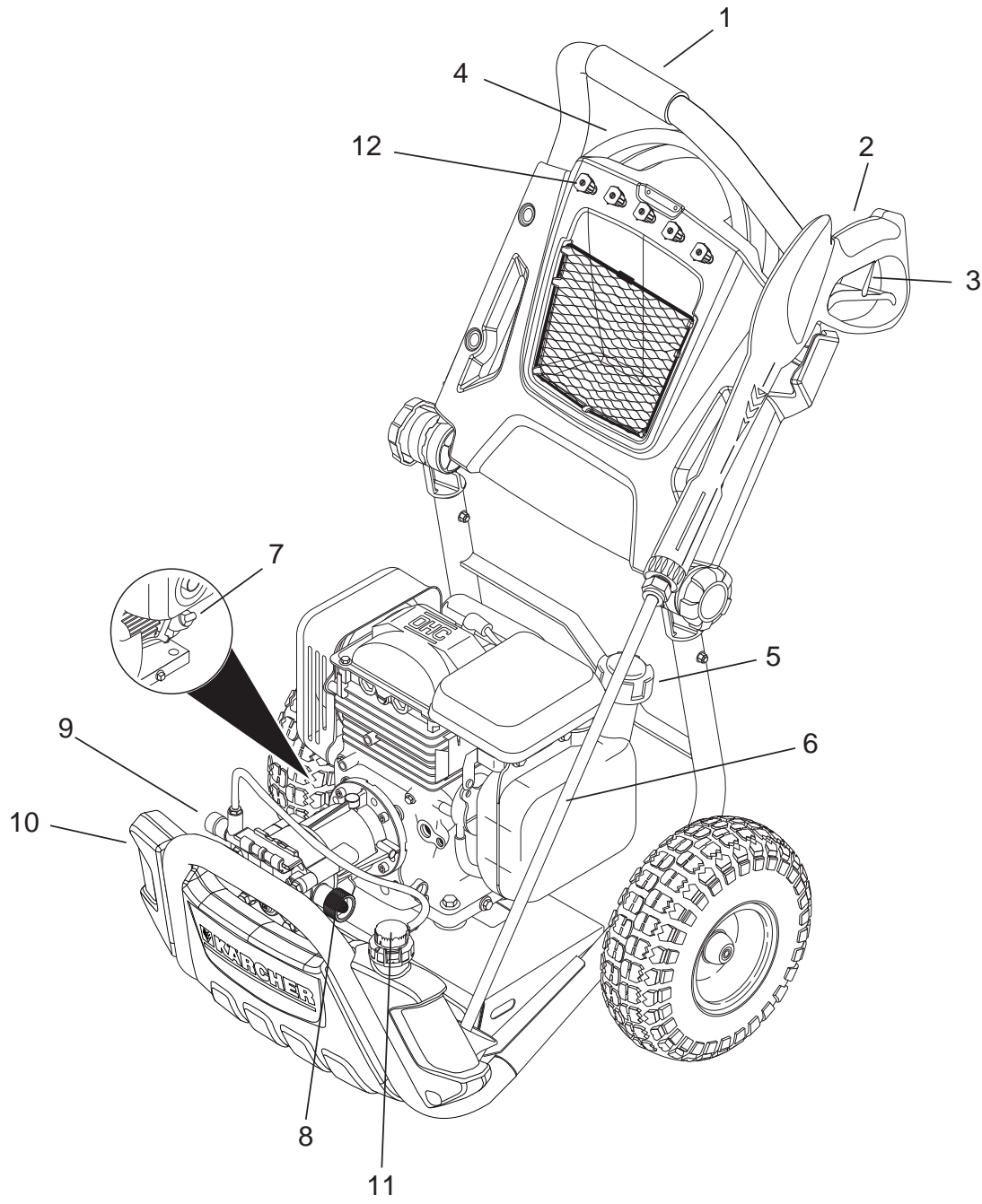
**[www.karcherresidential.com/warranty](http://www.karcherresidential.com/warranty)**

### Kärcher Customer Support México

Call: **01-800-024-13-13** for help or visit our

website: **[www.karcher.com.mx](http://www.karcher.com.mx)**

# MODEL OVERVIEW



- 1 Handle
- 2 Trigger Gun
- 3 Trigger Gun Safety Lock
- 4 High Pressure Hose
- 5 Gas Tank
- 6 Spray Wand
- 7 Dipstick
- 8 Water Inlet With Garden Hose Connector
- 9 Quick Connect High Pressure Outlet
- 10 Detergent Tank
- 11 Detergent Metering Valve and Detergent Suction Tube
- 12 Quick Connect Nozzles

*For Engine Details See Engine Manual*

## IMPORTANT SAFETY INSTRUCTIONS

- Read the operating instructions of the engine manufacturer before start-up and follow the safety instructions carefully.

### **WARNING**

When using this product basic precautions should always be followed, including the following:

- Read all the instructions before using the product.
- To reduce the risk of injury, close supervision is necessary when a product is used near children.
- Know how to stop the product and bleed pressures quickly. Be thoroughly familiar with the controls.
- Stay alert – watch what you are doing.
- Do not operate the product when fatigued or under the influence of alcohol or drugs.
- Keep operating area clear of all persons.
- Do not overreach or stand on unstable support. Keep good footing and balance at all times.
- Wear safety goggles.
- Follow the maintenance instructions specified in the manual.
- To avoid risks, all repairs and replacement of spare parts may only be carried out by the authorized customer service personnel.
- Please check and confirm that all 4 screws of the rim are tightened before correcting the tire filling pressure.
- Set the pressure reducer on the compressor at 25 psi before correcting the tire pressure.
- Tire pressure should not exceed max. 25 psi.

### **WARNING**

Risk of Injection or Injury – Do Not Direct Discharge Stream At Persons.

- High pressure jets can be dangerous if misused. The jet must not be directed at persons, animals, electrical devices, or the unit it self.
- Do not spray electrical connections, electrical outlets or fixtures.

### **WARNING**

Risk Of Explosion –Do not spray flammable liquids.

- Do not use acids, alkaline, solvents, or any flammable material in this product. These products can cause physical injuries to the operator and ir reversible damage to the machine.

### **WARNING**

Gun Kicks Back – Hold with both hands.

- The Trigger Gun Safety Lock prevents the trigger from accidentally being engaged. This safety feature DOES NOT lock trigger in the ON position.

### **WARNING**

The engine exhaust from this product contains chemicals known to the State of California to cause cancer, birth defects or other reproductive harm.

### **CAUTION**

Risk of Asphyxiation – Use this product only in a well ventilated area.

- Operate and fuel machine in a well ventilated area, free of devices featuring an open pilot or flame such as boilers, washer heaters, etc.

### **CAUTION**

Risk of Fire – Do not add fuel when the product is operating.

- Do not operate if fuel has been spilled. Instead, move the machine to a different location and avoid creating sparks.
- The machine has hot surfaces which can cause burns. Operate the unit in a safe environment and away from children.
- Do not touch hot surfaces or allow accessories to contact hot surfaces.
- Do not allow the high pressure hose to come into contact with the muffler guard.
- Do not leave the machine running untended.
- Avoid tipping the machine on its side.

**SAVE THESE INSTRUCTIONS**

## WATER SUPPLY (Cold Water Only)

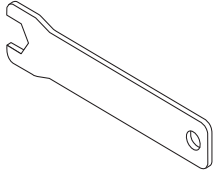
**⚠ CAUTION**

*When connecting the water inlet to the water supply mains, local regulations of your water company must be observed. In some areas the unit must not be connected directly to the public drinking water supply. This is to ensure that there is no feedback of chemicals in to the water supply. Direct connection via a receiver tank or backflow prevented, for example, is permitted. Dirt in the feed water will damage the unit. To avoid this risk, we recommend fitting a water filter.*

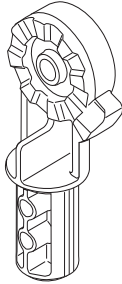
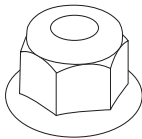
- Garden hose must be at least 5/8 inch diameter.
- Flow rate of water supply must not fall below 2.5 GPM (gallons per minute)
- Flow rate can be determined by running the water for one minute into an empty 5-gallon container.
- The water supply temperature must not exceed 104°F/40°C.
- Never use the pressure washer to draw in water contaminated with solvents, e.g. paint thinners, gasoline, oil, etc.
- Always prevent debris from being drawn into the unit by using a clean water source. Use additional water filter.


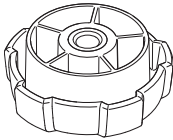

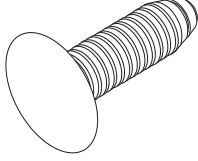
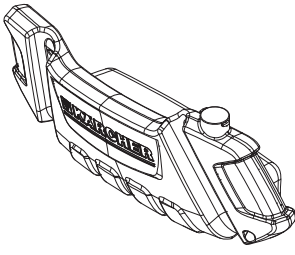
### ASSEMBLY INSTRUCTIONS

#### Required Tools (included)

Description	
7/16" (or 11mm) Wrench Stamped	

#### Hardware (included)

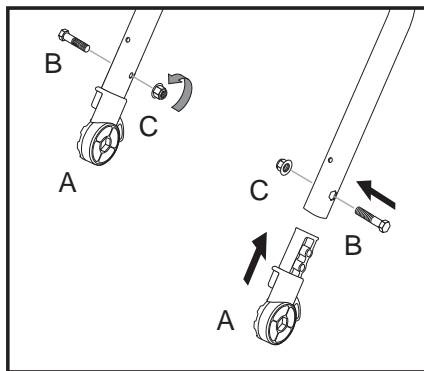
Qty	Description	Purpose	Illustration	Qty
<b>A</b>	Joint	Joint Assembly		2
<b>B</b>	1/4" Nut	Joint Assembly		6

	Description	Purpose	Illustration	Qty
<b>C</b>	1/4" Bolt	Joint Assembly		6
<b>D</b>	Knob	Joint Assembly		2
<b>E</b>	3/8" Bolt	Joint Assembly		2
<b>F</b>	Nylon Rivet	Nozzle Holder Assembly		4
<b>G</b>	Tank	Detergent tank		1

## Assembling

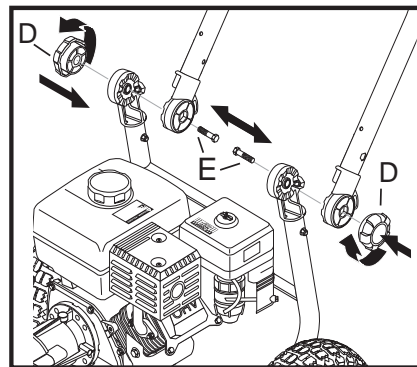
### → STEP 1:

Insert joints **(A)** into handle. Use one 1/4" bolt **(C)** and tighten with one 1/4" nut **(B)** on each side. Hand tighten.



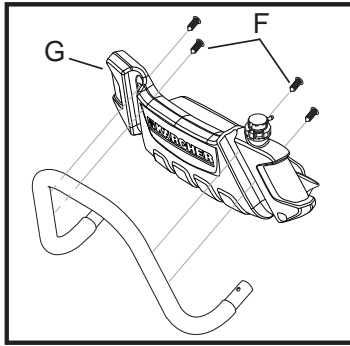
### → STEP 2:

Attach the handle to the frame of the pressure washer. Align holes, insert one 3/8" bolt **(E)**, and tighten the knob **(D)** on each side.



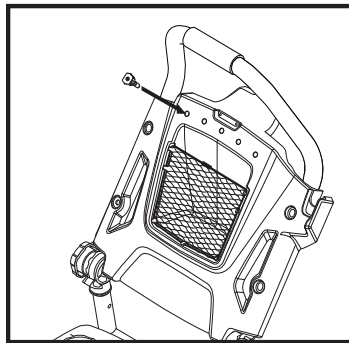
➔ **STEP 3:**

Mount the detergent tank with enclosed nylon rivets to the bumper.



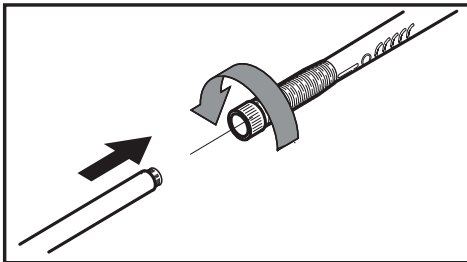
➔ **STEP 4:**

Place the quick connect nozzles in the nozzle holder.



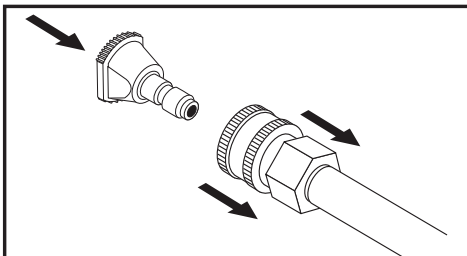
➔ **STEP 5:**

Attach the wand to the spray gun.

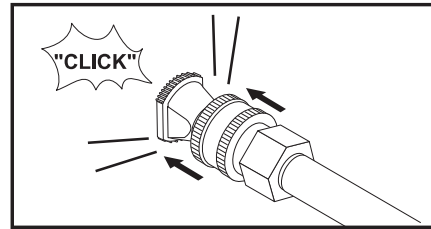


➔ **STEP 6:**

Pull the spring-loaded collar of the wand back to insert your choice of quick connect nozzle.



Release the collar and push the nozzle until the collar clicks.



**⚠ WARNING**

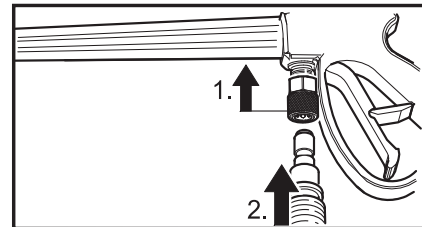
*High pressure in nozzle area.*

*Risk of injury caused by improperly locked nozzle.*

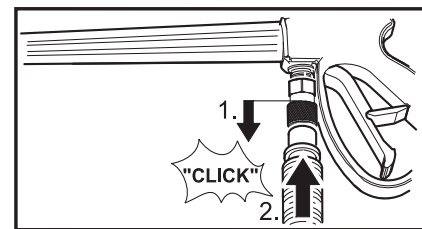
- Make sure you hear a "click" when inserting the nozzle tip in to the wand.
- Pull the nozzle to make sure it is seated properly before operating your unit.

➔ **STEP 7:**

Pull back the spring loaded collar at the spray gun and insert the high pressure hose.



Release the collar and push the nozzle until the collar clicks.



**⚠ WARNING**

*High pressure in quick connect area.*

*Risk of injury caused by improperly locked high pressure hose.*

- Make sure you hear a "click" when inserting the high pressure hose in to the quick connection.
- Pull the high pressure hose to make sure it is seated properly before operating your unit.

## OPERATING INSTRUCTIONS

### CAUTION

Engine Shipped without oil. Before starting engine, fill with oil. Do not over-fill. Do not run the engine with a high or low oil level as this can cause engine damage.

If you have further questions regarding the engine, please refer to the engine manual included with the unit.

#### → STEP 1:

Check oil level. Oil level should always be between the "FULL" and "ADD" marks on the dipstick.

Be sure the machine is level when checking the oil level. (Refer to the engines operating manual for seasonal grades.).

*We recommend that the oil be changed after the first 5 hours of use, then once every 50 hours.*

#### → STEP 2:

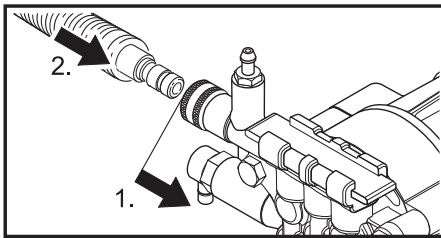
Fill gas tank with unleaded gasoline.

**Do not use leaded gasoline.**

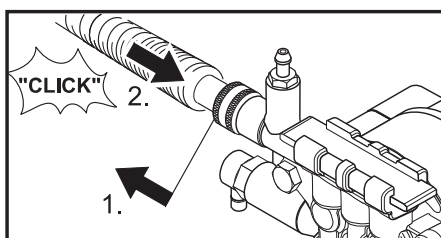
**Do not add oil to the gasoline.**

#### → STEP 3:

Pull back the spring loaded collar at the high pressure outlet and insert the high pressure hose.



Release the collar and push the high pressure hose until the collar clicks.



### ⚠ WARNING

*High pressure in quick connect area.*

*Risk of injury caused by improperly locked high pressure hose.*

- Make sure you hear the "click" when inserting the high pressure hose into the quick connection.

- Pull the high pressure hose to make sure it is seated properly before operating your unit.

#### → STEP 4:

Connect garden hose to units` s water inlet.

#### → STEP 5:

Connect garden hose to the cold water source and turn water completely on.

Do not use hot water.

#### → STEP 6:

Unlock the trigger gun safety lock. Trigger the gun to eliminate trapped air, wait for a steady flow of water to emerge from the spray nozzle.

#### → STEP 7:

Open fuel valve. Pull the choke rod to the ON position (on a warm engine, leave the choke rod in the OFF position).

#### → STEP 8:

Move the engine stop switch to the ON position.

*For engine details see engine manual.*

#### → STEP 9:

Pull the starter handle. If the engine fails to start after 3 pulls, squeeze the trigger gun to release pressure, and repeat step.

After the engine warms up enough to run smoothly move choke rod to OFF position.



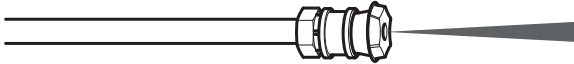
## USING THE ACCESSORIES

### Quick connect nozzles

The color-coded quick connect nozzles provide a wide array of spray widths from 0° to 65° and are easily accessible when placed in the convenient nozzle holder.

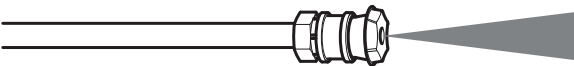
#### 0° spray angle = Red nozzle

For particularly stubborn accumulation of grime. **Not recommended** for soft materials like sidings, decks, painted surfaces, cars.



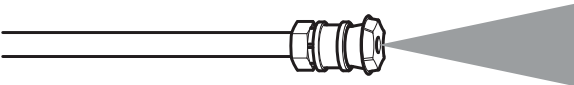
#### 15° spray angle = Yellow nozzle

For dirt accumulation over a surface.



#### 25° spray angle = Green nozzle

For dirt accumulation over a large surface.



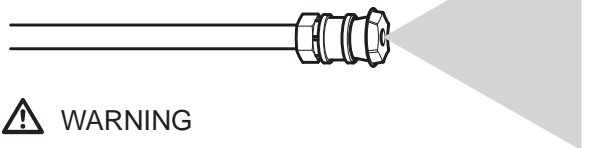
#### 40° spray angle = White nozzle

For moderate dirt accumulation over a large surface.



#### 65° spray angle = Black nozzle

For operating with detergents or cleaning with low pressure.



#### ⚠ WARNING

High pressure in nozzle area. Risk of injury caused by improperly locked *nozzle*.

- Make sure you hear the "click" when inserting the nozzle tip into the quick connection.
- Pull the nozzle to make sure it is seated properly before operating your unit. (See ASSEMBLY INSTRUCTIONS: Step 6)

#### ⚠ WARNING

To avoid serious injury never point spray nozzle at yourself, other persons or animals.

## WORKING WITH DETERGENTS

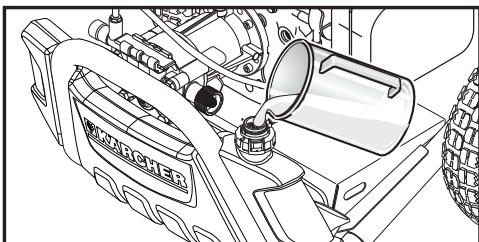
**Detergents can only be applied with the black detergent nozzle.**

#### ➔ STEP 1:

Install the black detergent nozzle for detergent application (will work at low pressure only).

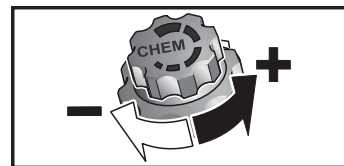
#### ➔ STEP 2:

Fill the detergent tank with Kärcher detergent. Close the detergent tank with the detergent metering cap.



#### ➔ STEP 3:

Adjust the detergent metering valve to the desired dosage.



#### ➔ STEP 4:

With the engine running, pull trigger to operate unit. Liquid detergent is drawn into the unit and mixed with water.

Apply detergent to work area.

Do not allow detergent to dry on surface.

#### ➔ STEP 5:

Always draw fresh water through the detergent suction tube when the cleaning job is done, to rinse/flush any remaining detergents from the injection system.

**For best results see *Cleaning Tips for specific information on how to clean different surfaces.***

## Detergents

### CAUTION

*This unit has been designed for use with cleaning detergents recommended by the manufacturer.*

*The use of other cleaning detergent may affect the operation of the machine and void the warranty.*

### **Always Use Kärcher Detergent for Best Results**

Kärcher biodegradable detergents are specially formulated to protect the environment and your pressure washer. The special formula won't clog the suction tube filter and will protect the internal parts of the pressure washer for a longer life. For Kärcher Detergents, check your retailer or visit our website:

[www.karcher-usa.com/home](http://www.karcher-usa.com/home)

For more complete list of Kärcher pressure washer detergents, please visit:

[www.karcherresidential.com/detergents](http://www.karcherresidential.com/detergents)

### CAUTION

#### Never use:

- Bleach, Chlorine products and other corrosive chemicals
- Liquids containing solvents (i.e., paint thinners, gasoline, oils.)
- Tri-sodium phosphate products
- Ammonia products
- Acid-based products

These chemicals will harm the unit and will damage the surface being cleaned.

**Use of these items will void the warranty.**

## TAKING A BREAK ...five minutes or more

### ➔ STEP 1:

Move the engine stop switch to the OFF position.  
*For engine details see engine manual.*

### ➔ STEP 2:

Release trigger and engage safety lock.

## SHUTTING DOWN & CLEAN-UP

### ➔ STEP 1:

Remove detergent suction tube from container and insert into 1 gallon of fresh water.

Siphon water at low pressure for one minute.

### ➔ STEP 2:

Move the engine stop switch to be the OFF position. Close the fuel valve.

### ➔ STEP 3:

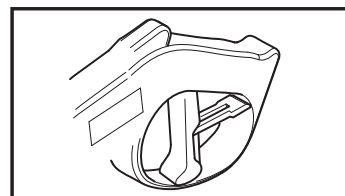
Turn off the water source.

### ➔ STEP 4:

Press trigger to release water pressure.

### ➔ STEP 5:

Release trigger and engage gun safety lock.



### ➔ STEP 6:

Disconnect the garden hose from the water inlet on the unit.

### ➔ STEP 7:

Disconnect the high pressure hose from the high pressure outlet.

## WINTERIZING AND LONG-TERM STORAGE

- ➔ **1:** Disconnect all water connections.
- ➔ **2:** Turn on the machine for a few seconds, until the water which had remained in the pump exits, turn off immediately.
- ➔ **3:** Do not allow high pressure hose to become kinked.
- ➔ **4:** Store the machine and accessories in a room which does not reach freezing temperatures. DO NOT store near furnace or other sources of heat as it may dry the pump seals.

### **CAUTION**

*Failure to follow the above directions will result in damage to the pump assembly and accessories and will void the warranty.*

*Kärcher also recommends the regular practice of using a pump protector like “Kärcher Pump Guard” to prevent cold weather damage during storage in the winter months.*

## MAINTENANCE INSTRUCTIONS

### **Kärcher pump**

#### **Initial Use**

All Kärcher pumps ship with oil already inside direct from the factory. There is no need to add oil.

#### **Pump Inspection**

You should routinely make a visual inspection of the pressure washer's pump. If you notice oil leaking around the pump seals, you should take the pressure washer to a Kärcher-Authorized Service Center for repair. (You can locate a service center in your area online at: [www.karcher-usa.com/service](http://www.karcher-usa.com/service)).

### **Pump Maintenance**

The pump on your Kärcher pressure washer does not require maintenance. Any attempts to service or alter the pump may damage your pressure washer and void your product warranty.

### **Engine**

Carry out maintenance tasks for the engine according to the specifications provided in the operating instructions provided by engine manufacturer.

## CLEANING TIPS

### **Deck Cleaning**

**(with or without detergent).** Pre-rinse deck and surrounding area with fresh water. If using Kärcher Deck Wash, apply to surface at low pressure. For best results, limit your work area to smaller sections of approximately 25 square feet. Allow Deck Wash to remain on surface 1-3 minutes. Do not allow detergent to dry on surface. Rinse at high pressure in a long sweeping motion keeping the spray nozzle approximately 3-6 inches from the cleaning surface. Always clean from top to bottom and from left to right. When moving on to a new section of the cleaning surface, be sure to overlap the previous section to eliminate stop marks and ensure a more even cleaning result.

### **House Siding**

**(with or without detergent).** Pre-rinse cleaning surface with fresh water. If using Kärcher Pressure Wash, apply to surface at low pressure (for best results, limit your work area to sections of approximately 6 feet and always apply detergent from bottom to top). Allow detergent to remain on surface 1-3 minutes. Do not allow detergent to dry on surface, if surface appears to be drying, simply wet down surface with fresh water. If needed, use special wash brush attachment (not included) to remove stubborn dirt. Rinse at high pressure from top to bottom in an even sweeping motion keeping the spray nozzle approximately 6 inches from the cleaning surface.

## **Cement Patios, Brick and Stone**

**(with or without detergent).** Pre-rinse cleaning surface with fresh water. If using Kärcher Pressure Wash or Degreaser, apply to surface at low pressure. For best results, limit your work area to smaller sections of approximately 25 square feet. Allow Pressure Wash or Degreaser to remain on surface 1-3 minutes. Do not allow detergent to dry on surface. Rinse at high pressure in a sweeping motion keeping the spray nozzle approximately 3- 6 inches from the cleaning surface. Always clean from top to bottom and from left to right. For removing extremely stubborn stains, use the Dirtblaster Nozzle.

## **Cars, Boats & Motorcycles**

**(with or without detergent).** Pre-rinse vehicle with fresh water. If using Kärcher Touchless Vehicle Wash, apply to surface at low pressure. For best results, clean one side of vehicle at a time and always apply detergent from bottom to top, do not allow detergent to dry on surface. If needed, use special wash brush attachment (not included) to remove stubborn dirt. Rinse at high pressure in a sweeping motion keeping the spray nozzle approximately 6-8 inches from the cleaning surface

(distance should increase when rinsing pin-striping or other sensitive surfaces). Always clean from top to bottom and from left to right. For best results, wipe surface dry with a chamois or soft dry cloth.

## **Barbecue Grills, Outdoor Power Equipment & Gardening Tools**

**(with or without detergent).** Pre-rinse cleaning surface with fresh water. If using Kärcher Pressure Wash or Degreaser, apply detergent at low pressure. Allow Pressure Wash to remain on surface 1-3 minutes. Do not allow detergent to dry on surface. Rinse at high pressure keeping the spray nozzle approximately 3-6 inches from the cleaning surface. For removing extremely stubborn dirt, it may be necessary to move the spray nozzle even closer to the surface for greater dirt cutting action.

## **Patio & Lawn Furniture**

**(with or without detergent).** Pre-rinse furniture and surrounding area with fresh water. If using Pressure Wash, apply to surface at low pressure. Allow Pressure Wash to remain on surface 1-3 minutes. Do not allow detergent to dry on surface. If needed use special Wash Brush Attachment (not included) to remove stubborn dirt. Rinse at high pressure in a sweeping motion keeping the spray nozzle approximately 3-6 inches from the cleaning surface. For best results, clean from top to bottom and from left to right.

## **Recommendations**

- Before cleaning any surface an inconspicuous area should be cleaned to test spray pattern and distance for maximum cleaning results.
- If painted surfaces are peeling or chipping, use extreme caution as pressure washer may remove the loose paint from the surface.
- When using on surfaces which might come in contact with food, flush surfaces with plenty of drinking water.
- For additional cleaning tips, visit our website at [www.karcher-usa.com/home](http://www.karcher-usa.com/home)

## **Optional Accessories**

*Optional accessories are available to further enhance*

*your cleaning capabilities. These accessories are accurate as of the printing date of this manual. Please check our website:*

*[www.karcherusa.com/home](http://www.karcherusa.com/home) for pricing and up-to-date information.*

- Extension Hose
- Dirtblaster spray nozzle

## TROUBLESHOOTING

**⚠ CAUTION**

*Remove the spark plug cable to prevent accidental ignition of the engine before making any repair*

Symptom	Cause	Solution
<b>ENGINE WILL NOT START</b>	No gasoline	Fill gas tank
	Choke is not in the correct position	Slide choke lever out to closed position
	Water pressure built up in the machine	Squeeze the trigger to release the pressure
	<b>For additional engine problems refer to the engine manual.</b>	
<b>UNIT DOES NOT REACH HIGH PRESURE</b>	Diameter of garden hose is too small	Replace with a 5/8 inch or larger garden hose
	Water supply is restricted	Check garden hose for kinks, leaks and blockage
	Not enough inlet water supply	Turn water on full force. Check garden hose for kinks, leaks or blockage.
	Water inlet filter is clogged	Remove filter and rinse out in warm water
	Black detergent nozzle is attached	Remove black detergent nozzle and attach high pressure nozzle
<b>OUTPUT PRES-SURE VARIES HIGH AND LOW</b>	Not enough inlet water supply.	Turn water on full force. Check garden hose for kinks, leaks or blockage
	Pump is sucking air	Check that hoses and fittings are air tight. Turn off machine and purge pump by squeezing trigger gun until a steady flow of water emerges through the nozzle
	Water inlet filter is clogged	Remove filter and rinse out in warm water
	Spray nozzle is obstructed	Blow out or remove debris with a fine needle
	Calcified gun, hose or spray wand	Run distilled vinegar through detergent suction tube.

<b>Symptom</b>	<b>Cause</b>	<b>Solution</b>
<b>NO DETERGENT.</b>	Detergent suction tube not properly connected to the machine	Check connection
	Detergent is too thick	Dilute detergent, for best results use Kärcher detergent
	Filter on detergent suction tube is clogged	Run warm water through filter to remove debris
	Damaged or clogged detergent suction tube	Remove obstruction or replace detergent suction tube
	A high pressure nozzle is attached	Replace with black detergent nozzle
	Metering valve closed	Open metering valve
	Spray nozzle is obstructed	Blow out or remove debris with fine needle
<b>GARDEN HOSE CONNECTION LEAKS</b>	Loose fittings	Tighten fittings
	Missing/worn rubber washer	Insert new washer
<b>SPRAY WAND LEAKS</b>	Spray wand not properly attached	Turn the swivel nut of the gun clockwise until connection is tight
	Broken o-ring or plastic insert	Call Customer Support
<b>PUMP IS NOISY</b>	Not enough gas or engine oil	Check that hoses and fittings are air tight. Turn off machine and purge pump by squeezing trigger gun until a steady flow of water emerges through the nozzle
<b>WATER LEAKS FROM PUMP (UP TO 10 DROP PER MINUTE IS PERMISSIBLE)</b>	Loose fittings	Tighten fittings
	Water seals are damaged or worn.	Call Customer Support
	Thermal protection device is activated.	Thermal protection device will auto reset. Do not run pump for more than 5 minutes without spraying
<b>OIL DRIP</b>	Oil seals are damaged or worn	Call Customer Support

If the symptom you are experiencing is not listed above, or if the provided solutions do not solve your issue, please visit our extensive online troubleshooting database at:

[www.karcherresidential.com/help](http://www.karcherresidential.com/help).