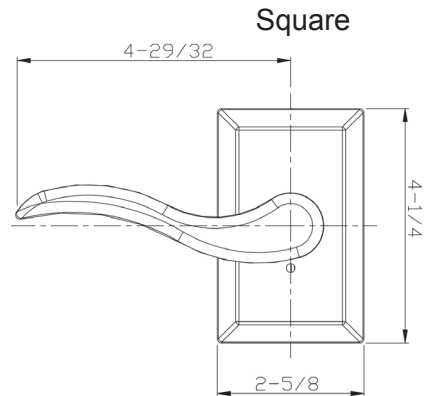
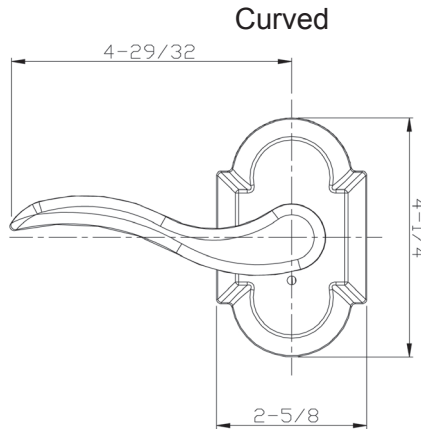
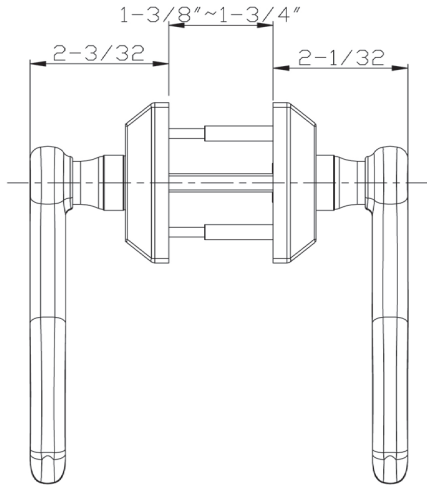


**RONDA®**  
SANDCAST COLLECTION

**DELANEY**  
*Designer Series™*

**DIMENSIONS**



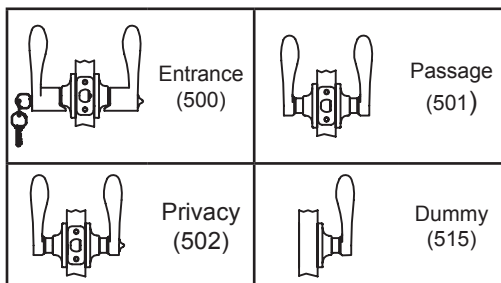
**STANDARD SPECIFICATIONS**

<b>Door Prep</b>	Cross bore: 2-1/8" Edge bore: 1" Latch face: 1" x 2-1/4"	<b>Latches</b>	Entrance: 2-3/8" & 2-3/4" adjustable (9050R) Passage/Privacy: 2-3/8" & 2-3/4" adjustable (9079R) Faceplate: 1" x 2-1/4" round corner Bolt: 1/2" Solid Brass throw
<b>Backset</b>	Fits 2-3/8" and 2-3/4"	<b>Strikes</b>	1-3/4" x 2-1/4" full lip round corner (9103)
<b>Door Thickness</b>	1-3/8" ~ 1-3/4" door standard.	<b>Wood Screws</b>	Combination screws that suit both wood or metal door mounting
<b>Cylinder</b>	SC4 6-pin standard. KW1 5-Pin Optional. Entries packed KA4	<b>Door Handing</b>	Specify LH or RH

**PRICING**

Model	Function	WT/LB	CTN QTY	AP Aged Pewter		ABR Aged Bronze		ABK Aged Black		
				CURVED	SQUARE	CURVED	SQUARE	CURVED	SQUARE	
500T-RI	Entrance	20 Lbs	4 Pcs	Item No.	691708C	691708S	691700C	691700S	691709C	6917009S
				List Price						
501T-RI	Passage	28 Lbs	6 Pcs	Item No.	694708C	694708S	694700C	694700S	694709C	694709S
				List Price						
502T-RI	Privacy	28 Lbs	6 Pcs	Item No.	692708C	692708S	692700C	692700S	692709C	692709S
				List Price						
515-RI	Dummy	24 Lbs	12 Pcs	Item No.	695708C	695708S	695700C	695700S	695709C	695709S
				List Price						

**FUNCTIONS**



**HANDING GUIDE**

Standing OUTSIDE the private area, regardless of whether the door swings toward you or away from you, if the Hinges are on the left, order a Left Hand (LH) lock. Likewise, if the Hinges are on the right, order a Right Hand (RH) lock.



**THE DELANEY CO.**

Copyright © THE DELANEY CO. All rights reserved.