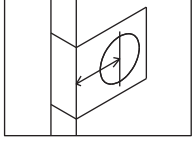
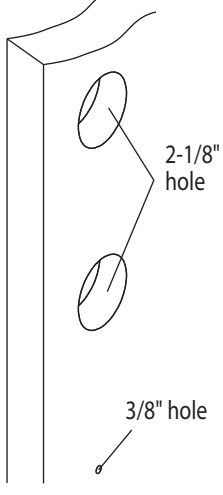
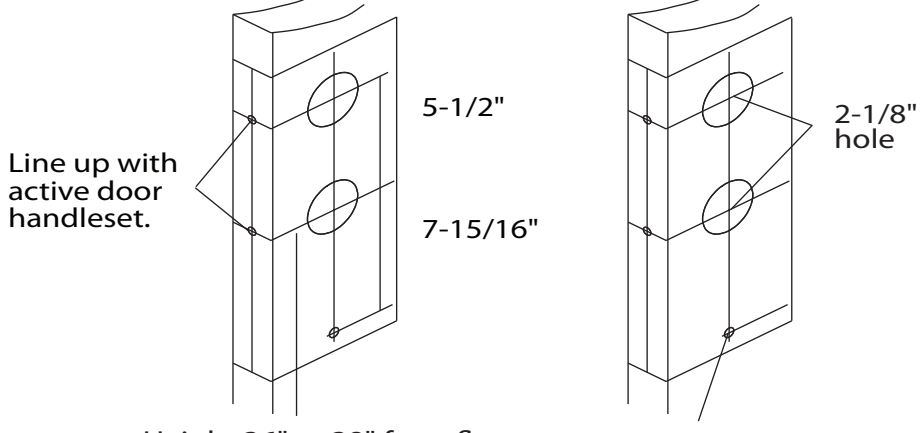
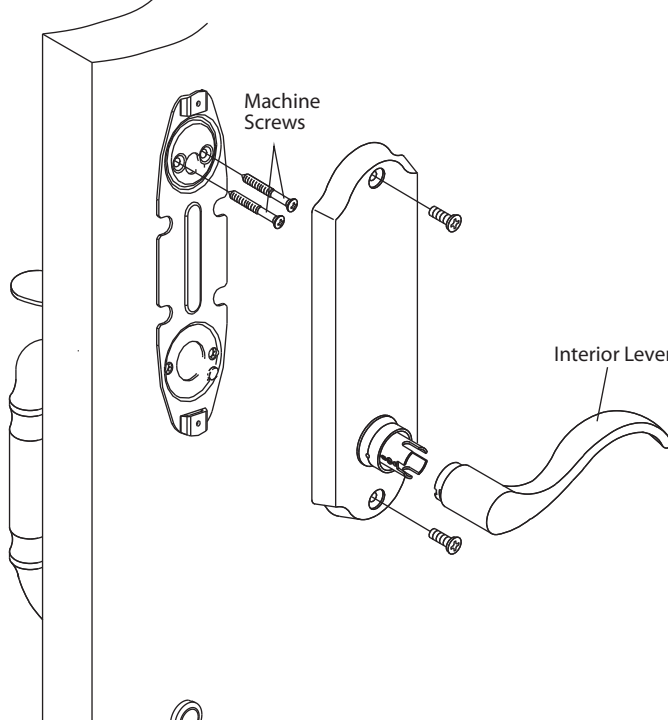
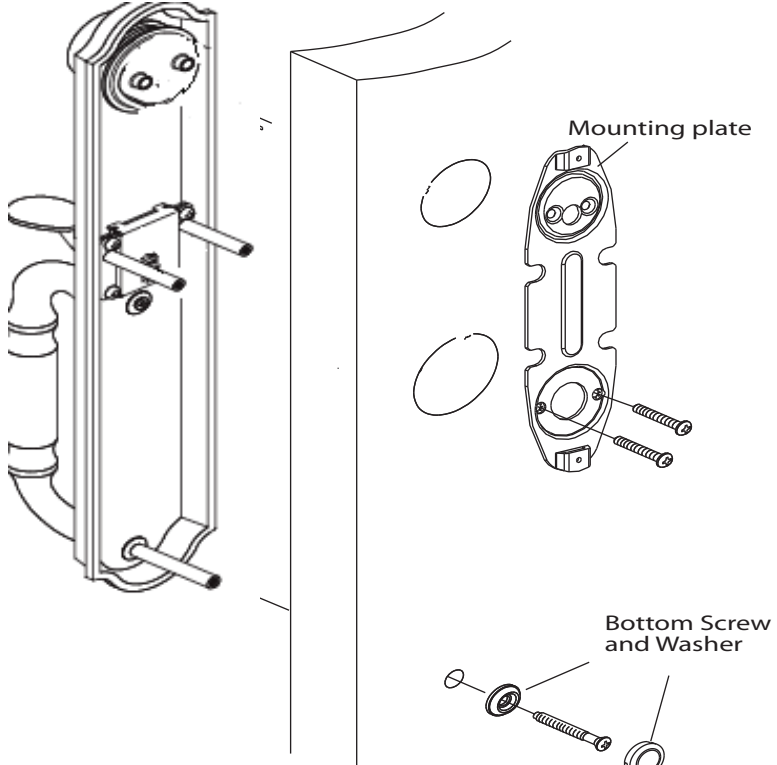


# DUMMY HANDLESET INSTALLATION INSTRUCTIONS

**FOR USE ON DOORS 1-3/8" TO 2" (35mm~51mm) THICKNESS**

<p><b>1. BACKSET ADJUSTMENT</b></p>  <p>Before proceeding: Backset is the distance from the door edge to the center of lock, either 2-3/8" or 2-3/4" (60mm or 70mm).</p>	<p><b>3. DRILL HOLES</b></p> <p>A. Drill 2-1/8" (54mm) holes from both sides of door to avoid splintering.</p> <p>B. Drill 3/8" hole for bottom thru-bolt.</p> 
<p><b>2. MARK DOOR</b></p> <p>Use template enclosed to mark holes on door face.</p>  <p>Line up with active door handleset.</p> <p>Height 36" to 38" from floor</p> <p>Make mark for 3/8" hole on door face.</p>	<p><b>5. INSTALL INTERIOR MECHANISM</b></p> <p>Put the machine screws through the top portion into the dummy deadbolt and tighten. Secure and fasten the interior mechanism firmly through the screws respectively as shown in figure.</p> 
<p><b>4. INSTALL EXTERIOR HANDLE</b></p> <p>Place exterior handle with stems through the door. Align mounting plate on interior and tighten with machining screws.</p>  <p>Mounting plate</p> <p>Bottom Screw and Washer</p>	