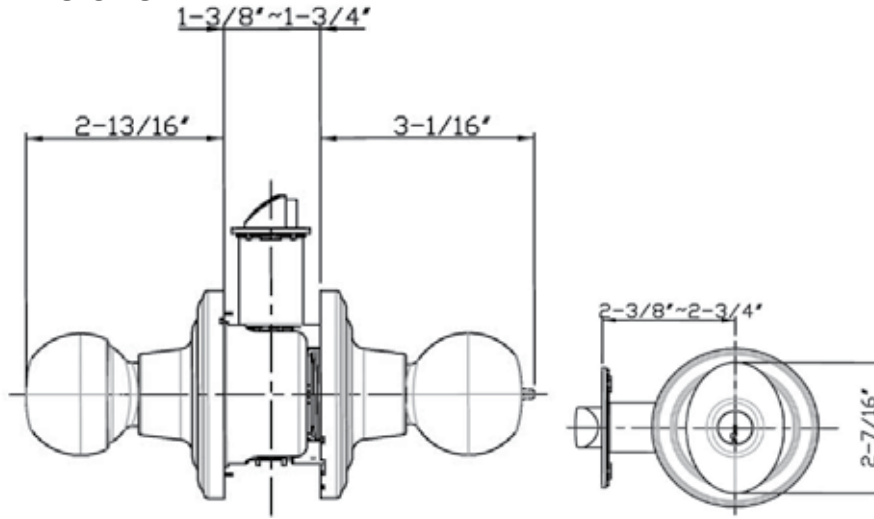


ANSLEY®
TRADITIONAL COLLECTION (GR2)



DIMENSIONS



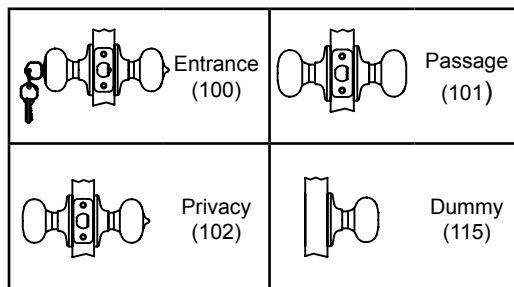
STANDARD SPECIFICATIONS

Door Prep	Cross bore: 2-1/8" Edge bore: 1" Latch face: 1" x 2-1/4"	Latches	Entrance: 2-3/8" & 2-3/4" adjustable (9060R UL) Passage/Privacy: 2-3/8" & 2-3/4" adjustable (9064R) Faceplate: 1" x 2-1/4" round corner Bolt: 1/2" throw
Backset	Fits 2-3/8" and 2-3/4"	Strikes	1-3/4" x 2-1/4" full lip round corner (9103)
Door Thickness	1-3/8" ~ 1-3/4" door standard	Wood Screws	Combination screws that suit both wood or metal door mounting
Cylinder	KW1 5-pin standard (solid Brass) SC4 6-pin optional. Entries packed KA5	Door Handing	Not Required
		Grade 2 Features	<ul style="list-style-type: none"> • Protective Collar • Panic Proof • Reinforced Spring Assembly • 3-Hr Fire Latch (100 & 104)

PRICING

Model	Function	WT/LB	CTN QTY	US15	US12P	
100-AN-G2	Entrance	30 Lbs	20 Pcs	Item No.	311222	311229
				List Price		
104-AN-G2	Storeroom	30 Lbs	20 Pcs	Item No.	316222	316229
				List Price		
101-AN-G2	Passage	26 Lbs	20 Pcs	Item No.	314222	314229
				List Price		
102-AN-G2	Privacy	26 Lbs	20 Pcs	Item No.	312222	312229
				List Price		
105-AN-G2	Dummy	15 Lbs	20 Pcs	Item No.	315222	315229
				List Price		

FUNCTIONS



THE DELANEY CO.

Copyright © THE DELANEY CO. All rights reserved.