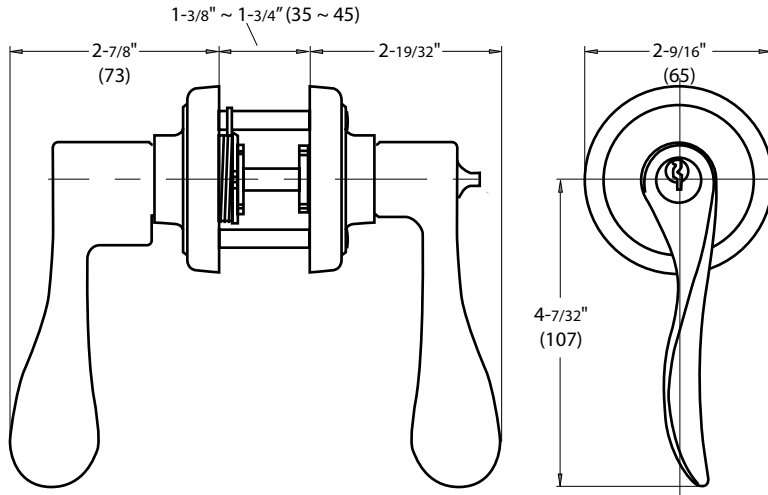


**VENEZIA
SOLID BRASS COLLECTION**



DIMENSIONS



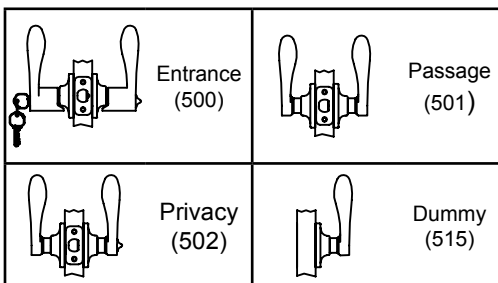
STANDARD SPECIFICATIONS

Door Prep	Cross bore: 2-1/8" Edge bore: 1" Latch face: 1" x 2-1/4"	Latches	Entrance: 2-3/8" & 2-3/4" adjustable (9050R) Passage/Privacy: 2-3/8" & 2-3/4" adjustable (9079R) Faceplate: 1" x 2-1/4" round corner Bolt: 1/2" throw
Backset	Fits 2-3/8" and 2-3/4"	Strikes	1-3/4" x 2-1/4" full lip round corner (9103)
Door Thickness	1-3/8" ~ 1-3/4" door standard	Wood Screws	Combination screws that suit both wood or metal door mounting
Cylinder	KW1 5-pin standard. SC1 5-Pin optional Entries packed KA5	Door Handing	Specify LH or RH

PRICING

Model	Function	WT/LB	CTN QTY		US15	US10B	US12P
500T-VA	Entrance	46 Lbs	20 Pcs	Item No.	321521	321529	321527
				List Price			
501T-VA	Passage	43 Lbs	20 Pcs	Item No.	324521	324529	324527
				List Price			
502T-VA	Privacy	44 Lbs	20 Pcs	Item No.	322521	322529	322527
				List Price			
515-VA	Dummy	35 Lbs	20 Pcs	Item No.	325521	325529	325527
				List Price			

FUNCTIONS



HANDING GUIDE

Standing OUTSIDE the private area, regardless of whether the door swings toward you or away from you, if the Hinges are on the left, order a Left Hand (LH) lock. Likewise, if the Hinges are on the right, order a Right Hand (RH) lock.