

## Instructions for Knob or Lever Lockset Installation for doors 1-3/8" to 1-3/4" thick.

Read this instruction carefully before attempting to install lockset. Although an untrained person can prepare a door, We recommend that a skilled carpenter or locksmith do measurements and drilling.

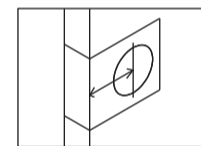
### Tools required for new installation :

Phillips head screwdriver, 2-1/8" hole saw, 1" & 1/8" drill, chisel.

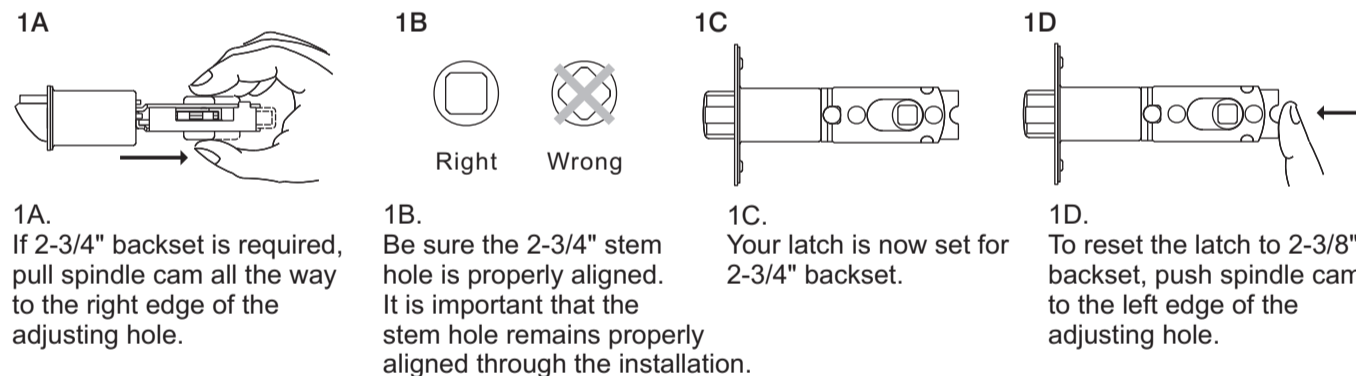
### Tools required for replacement installation :

Phillips screwdriver.

### 1. Latch Backset Adjustment



Before Proceeding : Backset is the distance from the door edge to the center of lock, either 2-3/8" or 2-3/4". Your latch was preset at the factory for 2-3/8" backset. If a 2-3/4" backset is required, follow the adjustment instructions in Step 1A. If 2-3/8" backset is required, go to part 2A of the instructions.



1A. If 2-3/4" backset is required, pull spindle cam all the way to the right edge of the adjusting hole.

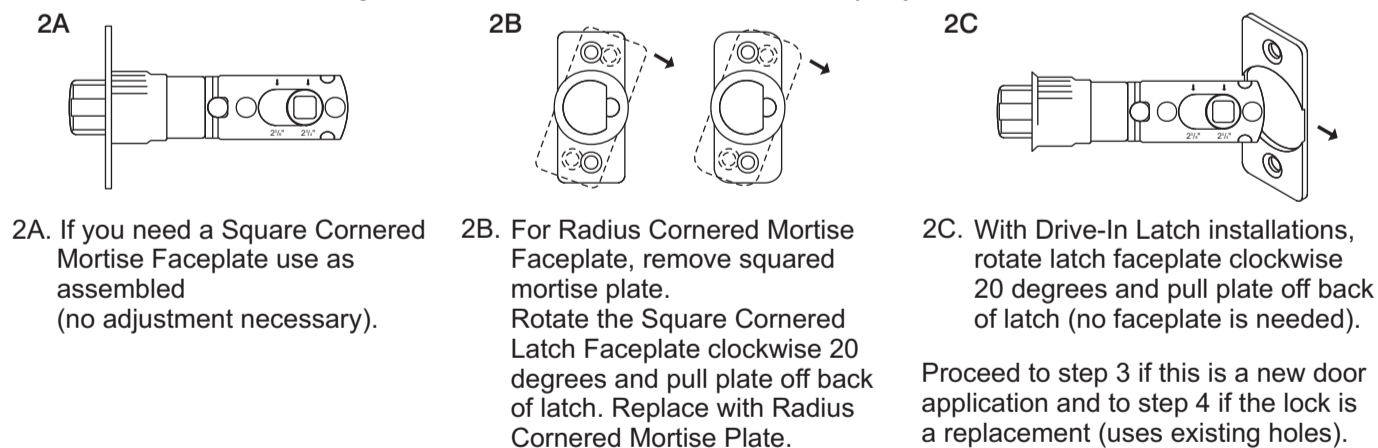
1B. Be sure the 2-3/4" stem hole is properly aligned. It is important that the stem hole remains properly aligned through the installation.

1C. Your latch is now set for 2-3/4" backset.

1D. To reset the latch to 2-3/8" backset, push spindle cam to the left edge of the adjusting hole.

### 2. Latch Face Plate

Determine which latch mounting method will be used and make necessary adjustments.



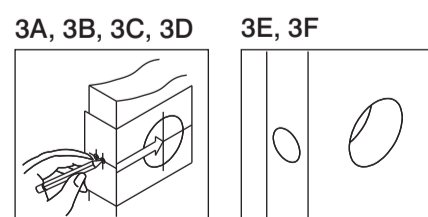
2A. If you need a Square Cornered Mortise Faceplate use as assembled (no adjustment necessary).

2B. For Radius Cornered Mortise Faceplate, remove squared mortise plate. Rotate the Square Cornered Latch Faceplate clockwise 20 degrees and pull plate off back of latch. Replace with Radius Cornered Mortise Plate.

2C. With Drive-In Latch installations, rotate latch faceplate clockwise 20 degrees and pull plate off back of latch (no faceplate is needed).

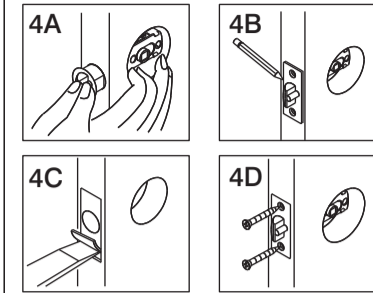
Proceed to step 3 if this is a new door application and to step 4 if the lock is a replacement (uses existing holes).

### 3. New Door Preparation (if necessary)



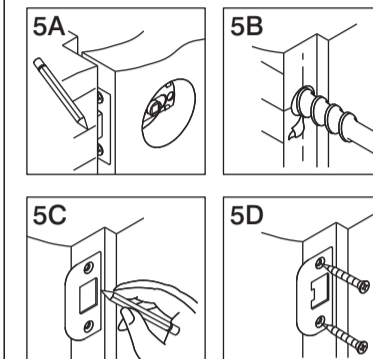
3A. Fold template as marked and place on door. If corner of door is beveled, place template on widest side of door.  
 3B. Mark center for door edge for latch bolt as indicated on template.  
 3C. Make center for hole on door face through guide on template for either 2-3/8" or 2-3/4" backset. 3D. Drill 1/8" pilot holes at center marks.  
 3E. Drill 2-1/8" hole on the door face from both sides of door to prevent splintering.  
 3F. Drill 1" hole through door edge for latch bolt.

### 4. Install Latch



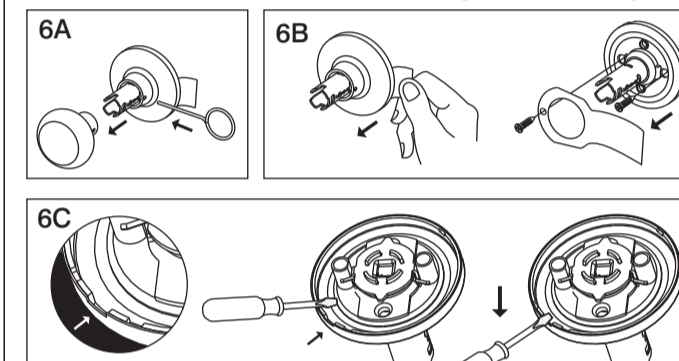
4A. For drive in application, drive the latch into the hole on edge of door and go to step step 5.  
 4B. For mortise application, insert latch into hole and trace outline of faceplate on the edge of the door.  
 4C. Chisel until latch face is flush with door edge.  
 4D. Drill pilot holes for plate mounting screws. Insert latch bolt and tighten screws. Curved edge of latch bolt should face in direction that door closes.

### 5. Strike Plate Installation



5A. Close door until latch bolt touches door jamb to locate strike placement. Mark horizontal centerline of strike parallel with the center of the latch bolt.  
 5B. Measure one half of door thickness from doorstop and mark for the vertical centerline of strike. Drill 1" hole, 1/2" deep at the intersection of the horizontal and vertical centerlines.  
 5C. Match screw holes on strike with centerlines on jamb. Mark outline of strike plate and chisel out until strike is flush with jamb. (Approx. 1/8")  
 5D. Install strike plate and tighten screws. Adjustable tang on strike can be bent in or out to eliminate loose fit between door and door stop.

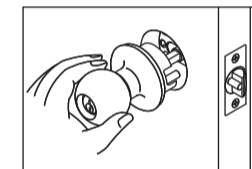
### 6. Remove Inside Mounting Assembly



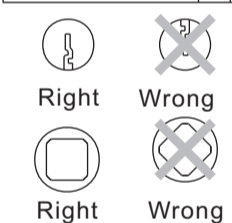
6A. Use handle tool (provided) to depress inside knob catch through hole of inside trim collar. Pull knob off of rosette/mounting plate assembly.  
 6B. Pull up on paper tab to separate the mounting plate from lock assembly. If the paper tab is missing. Refer to 6C.  
 6C. Alternate-if paper tab is missing : There is a 3/8" wide space on the mounting plate. If the paper tab is missing, push down on trim plate in this area with screw driver to release trim from mounting plate.

### 7. Install Outside Knob or Lever

Place outside knob or lever over the hole in the door face, inserting spindle through latch. Press outside assembly flush against door.

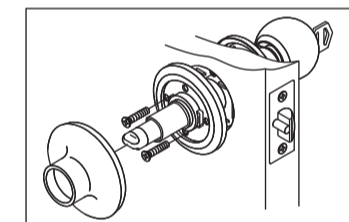


Before proceeding, make sure spindle hole in the latch is oriented correctly. For keyed sets, orient key cylinder as shown.



### 8. Install Interior Mounting Assembly

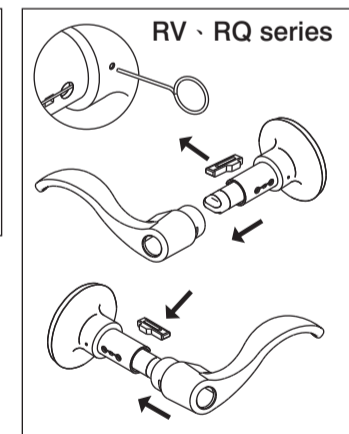
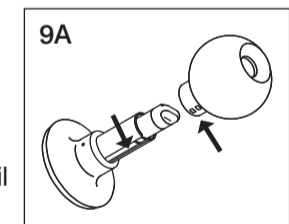
Install interior mounting plate on the inside face of door. Place machine screws into the holes in mounting plate, through the door, into the female receivers on the outside mounting plate and tighten securely. Bold "snap the inside trim onto the mounting plate (for proper fit, be sure to fit notches in the trim into the recesses on the mounting plate).



See 9B if your lever set requires reversing.

### 9. Install Inside Knob or Lever

9A. Knob : Align lug on knob with narrow slot on side of spindle housing and push knob all the way in until knob catch clicks into slot on knob.  
 Lever : Press down the lever catch in the collar hole with handle tool and push inside lever all the way in until catch clicks into catch slot.



9B. All lever sets can be changed from right hand to left hand. To change the handing of the levers :  
 • Insert key (entrance sets only), rotate 1/4" turn the key counter clockwise.  
 • Depress lever catch with the handle tool to release lever and pull lever off spindle housing.  
 • Replace inside lever by depressing the catch with the handle tool. Remove inside lever.  
 • Replace spacer on inside spindle housing (entrance sets only) and reverse levers. (Outside lever to inside, inside lever to outside ) Push handles in until catch clicks. Make sure levers are retained by lever catch.

### TEMPLATE

Fold on dotted line and fit on door edge

