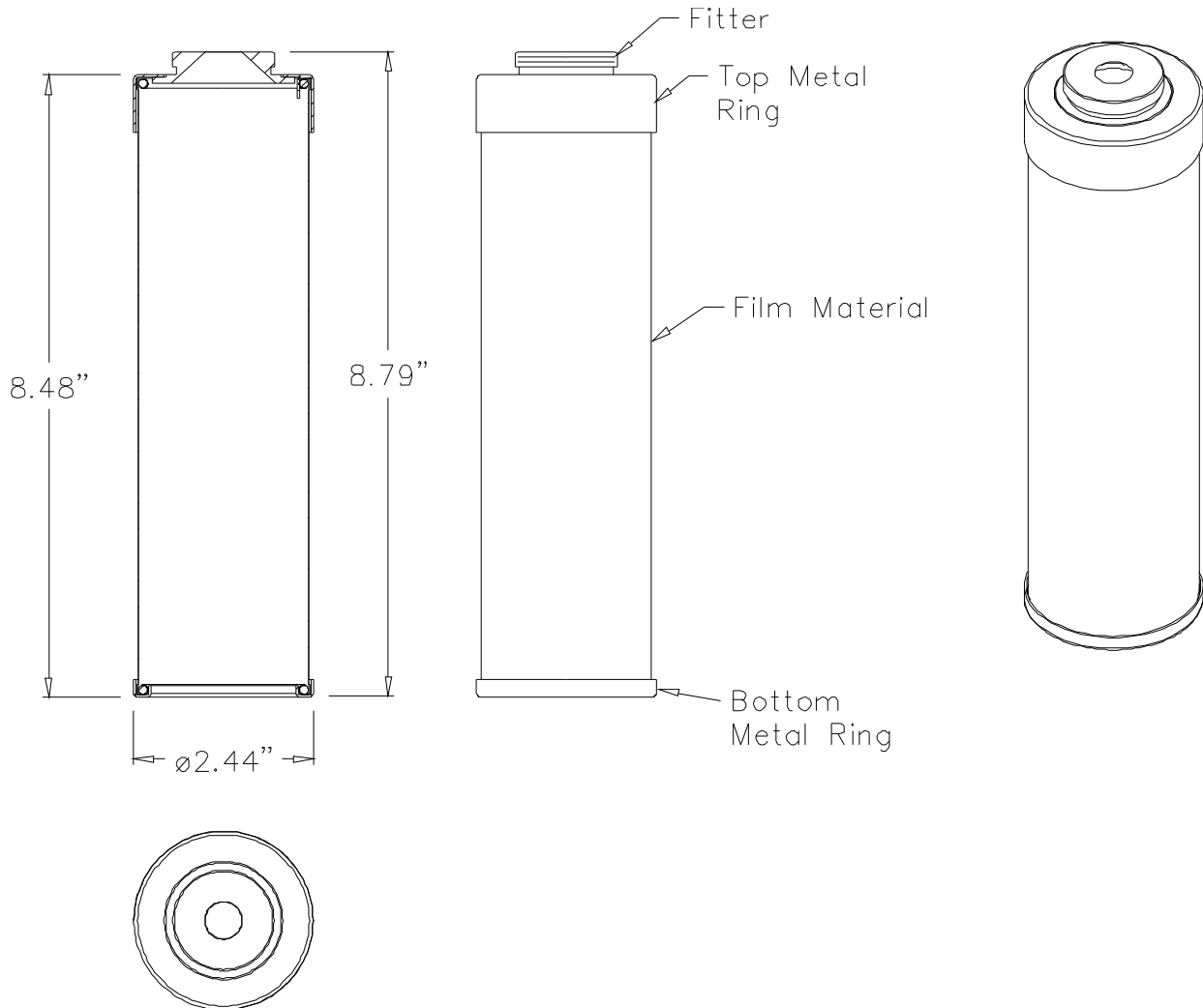


## SHADES FOR 1025 LED SUSPENSION



**MATERIAL:** 1195 Red Serpentine film 1196 White Pinstripe film  
1197 Red Shimmer film 1199 EyeCandy White film  
Satin Nickel collar at top, deco ring at bottom. Internal lens seals bottom aperture

**MOUNTING:** Shade only. Must specify 1025 LED Suspension for complete fixture.  
Shade screws into suspension