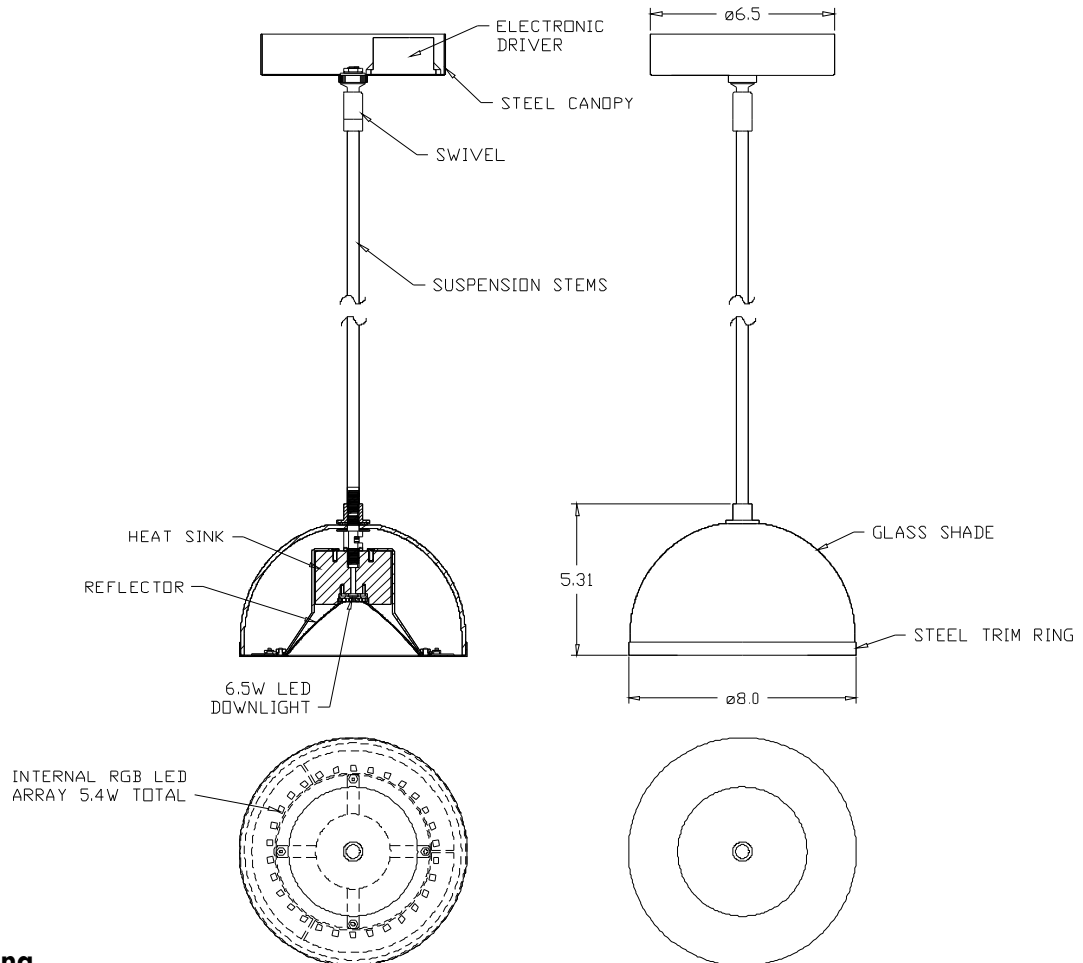


LED COLOR CHANGING GLOWDOME



Patent Pending

CONSTRUCTION: Satin nickel hardware. Etched white glass dome. Etched aluminum downlight reflector

ELECTRICAL: Downlight: 6.5W Bridgelux remote phosphor LED 3000K. Internal RGB colors total 5.4W.

Total fixture watts: 14.5W 120/277V electronic drivers standard.

ETL Approved for damp location use.

Internal honeycomb louver on downlight to enhance visual comfort

CONTROL: Manually via switch on fixture canopy or remotely using DMX (consult factory).

Thirteen lockable colors plus full spectrum cycling mode.

Downlight remains at 3000K at all times.

FINISHES: Satin Nickel

MOUNTING: Mounts to octagon junction box or 4x4 junction box with round plaster adapter.. Supplied with threaded stems of 4", 8", 12" and 24" stems for flexible mounting heights.

OPTIONS: Dimmable driver available for downlight portion. Consult factory.