



DREAM ON ME INC. ASSEMBLY INSTRUCTIONS

STYLE NO: 678

**DREAM ON ME INC.
125 HELEN STREET
S. PLAINFIELD NJ 07080
908-791-0555**

Read all instructions before assembling crib.

Save instructions for future use.

Adult assembly required.

Small parts may present choking hazard prior to assembly.

Enclosed please find simple step-by-step instructions to help you quickly assemble your products. Before you begin we recommend that you following the steps below:

1. Please read the instructions thoroughly.

2. Identify all parts and hardwares

3. You will need the following tools:

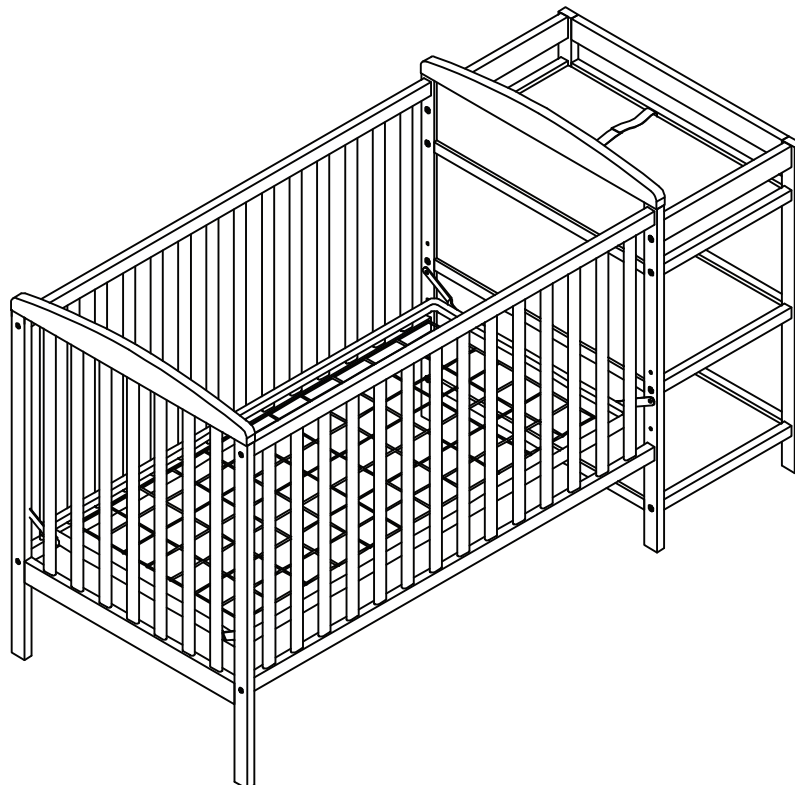
Philips head screw driver

Flat head screw driver Hammer

Do Not Use Power Drills or Drivers

To protect your parts during assembly please place them on a soft surface.

To clean surface use only water on a damp cloth. Do not use window cleaners or cleaning abrasives as it will scratch the surface and could damage the protective coating.

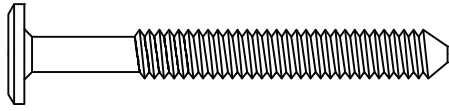
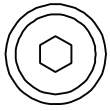


MADE IN CHINA

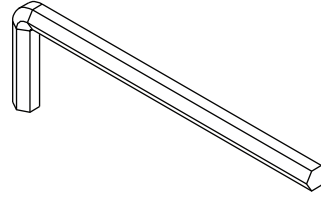
WARNING !

- **FAILURE TO FOLLOW THESE WARNINGS AND THE ASSEMBLY INSTRUCTIONS COULD RESULT IN SERIOUS INJURY OR DEATH.**
- **READ ALL INSTRUCTIONS BEFORE ASSEMBLING CRIB. KEEP INSTRUCTIONS FOR FUTURE USE.**
- **ANY MATTRESS USED IN THIS CRIB MUST BE AT LEAST 51-5/8 INCHES BY 27-1/4 INCHES WITH A THICKNESS NOT EXCEEDING 6 INCHES.**
- **CHECK THIS PRODUCT FOR DAMAGED HARDWARE, LOOSE JOINTS, MISSING PARTS OR SHARP EDGES BEFORE AND AFTER ASSEMBLY. A FREQUENT CHECK SHOULD BE MADE DURING USE. DO NOT USE CRIB IF ANY PARTS ARE MISSING, DAMAGED OR BROKEN. CONTACT DREAM ON ME INC. 125 HELEN STREET S. PLAINFIELD, NJ 07080 FOR REPLACEMENT PARTS AND INSTRUCTIONAL LITERATURE IF NEEDED. DO NOT SUBSTITUTE PARTS.**
- **TO REDUCE THE RISK OF SIDS, PEDIATRICIANS RECOMMEND HEALTHY INFANTS BE PLACED ON THEIR BACKS TO SLEEP, OTHERWISE ADVISED BY YOUR PHYSICIAN.**
- **STRINGS CAN CAUSE STRANGULATION! DO NOT PLACE ITEMS WITH A STRING AROUND A CHILD'S NECK, SUCH AS HOOD STRINGS OR PACIFIER CORDS. DO NOT SUSPEND STRINGS OVER A CRIB OR ATTACH A STRINGS TO TOYS.**
- **TO HELP PREVENT STRANGULATION TIGHTEN ALL FASTENERS. A CHILD CAN TRAP PARTS OF THE BODY OR CLOTHING ON LOOSE FASTENERS.**
- **DO NOT PLACE CRIB NEAR WINDOWS WHERE CORDS FROM BLINDS OR DRAPS MAY STRANGLE A CHILD.**
- **WHEN CHILD IS ABLE TO PULL TO A STANDING POSITION, SET MATTRESS TO THE LOWEST POSITION AND REMOVE BUMPER PADS, LARGE TOYS AND OTHER OBJECTS THAT COULD SERVE AS STEPS FOR CLIMBING OUT.**
- **WHEN CHILD IS ABLE TO CLIMB OUT OR REACH THE HEIGHT OF 35 IN. (89CM), THE CRIB SHALL NO LONGER BE USED.**
- **DO NOT USE A WATER MATTRESS WITH THIS CRIB.**
- **INFANTS CAN SUFFOCATE ON SOFT BEDDING, NEVER ADD A PILLOW OR COMFORTER. NEVER PLACE ADDITIONAL PADDING UNDER AN INFANT.**
- **NEVER USE PLASTIC SHIPPING BAGS OR OTHER PLASTIC FILM AS MATTRESS COVERS BECAUSE THEY CAN CAUSE SUFFOCATION.**
- **INFANTS CAN SUFFOCATE IN GAPS BETWEEN CRIB SIDES AND A MATTRESS THAT IS TOO SMALL.**
- **REPLACE TEETHING RAIL IF DAMAGED, CRACKED OR LOOSE.**
- **IF REFINISHING, USE A NON-TOXIC FINISH SPECIFIED FOR CHILDREN'S PRODUCTS.**
- **FOLLOW WARNINGS ON ALL PRODUCTS IN A CRIB. SEE HEAD PANEL AND MATTRESS SUPPORT FOR WARNINGS AND INSTRUCTIONS.**

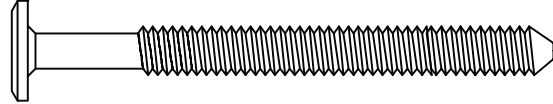
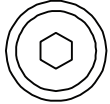
CONNECTION HARDWARE



(a) 2-1/8" Bolt (24PCS)



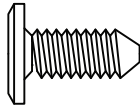
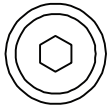
(g) Allen wrench (1PC)



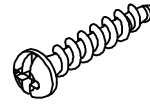
(b) 3" Bolt (4 PCS)



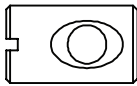
(h) Washer (2PCS)



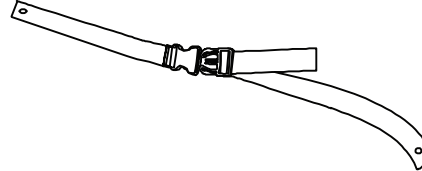
(c) 5/8" Bolt (4PCS)



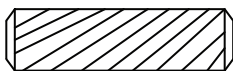
(i) Screw (2PCS)



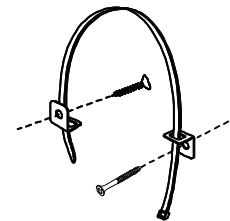
(d) Barrel nut (28PCS)



(j) Belt (1PC)



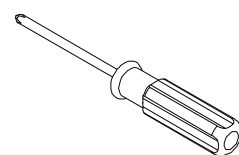
(e) Wood dowel (8PCS)



(k) Tip over restraints (1PC)

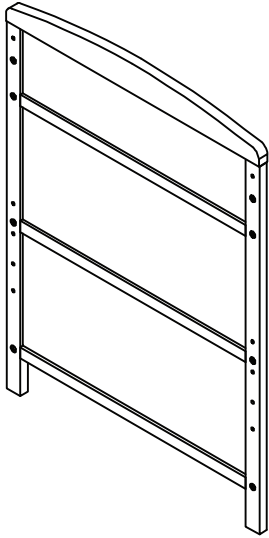


(f) Wood dowel (4PCS)

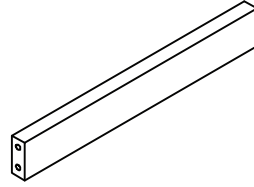


PHILLIPS--HEAD SCREWDRIVER REQUIRED
FOR ASSEMBLY ---NOT INCLUDE

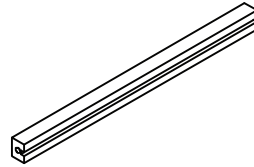
PARTS ENCLOSED IN CARTON



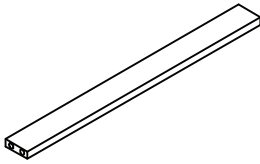
(A) Changer left side (1PC)



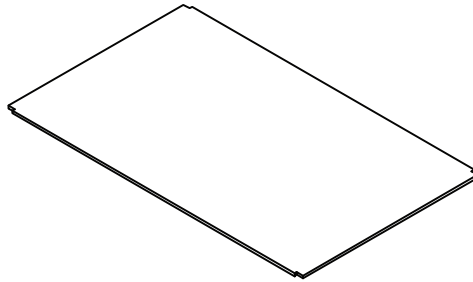
(C) Changer top rail (2PCS)



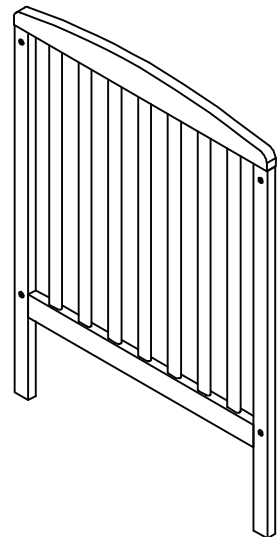
(D) Changer shelf support (6PCS)



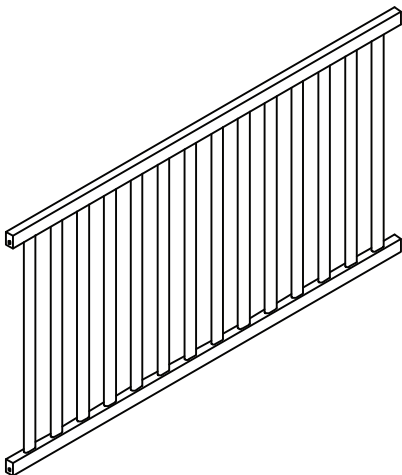
(E) Changer middle rail (1PC)



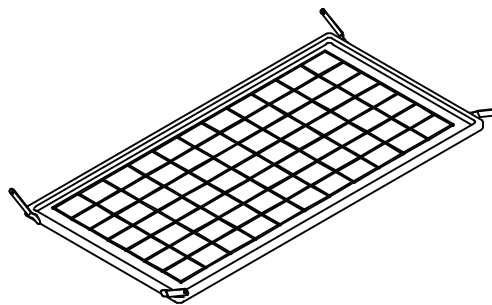
(F) Changer shelf (3PCS)



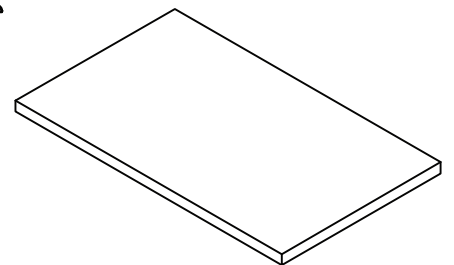
(G) Crib left headboard (1PC)



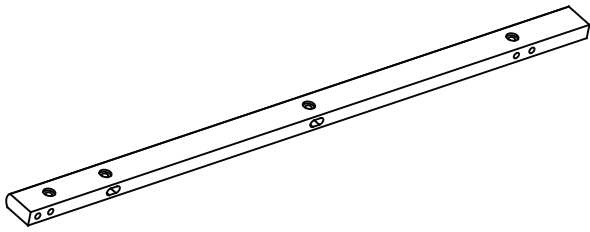
(H) Crib side rail (2PCS)



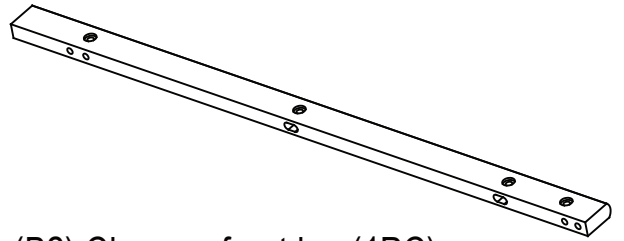
(J) Metal spring support platform (1PC)



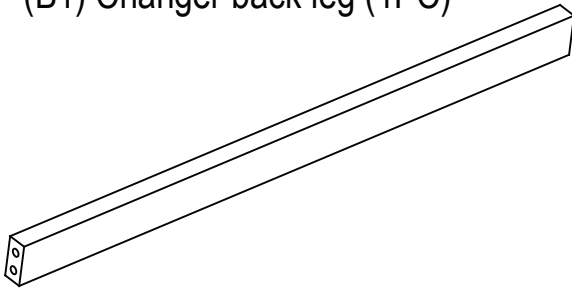
(K) Changer pad (1PC)



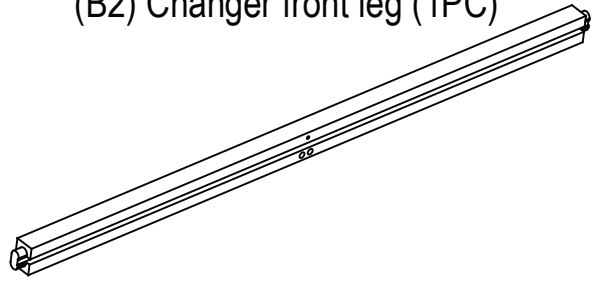
(B1) Changer back leg (1PC)



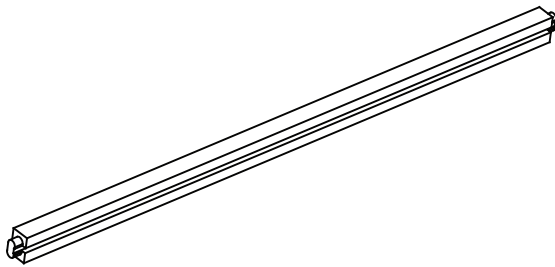
(B2) Changer front leg (1PC)



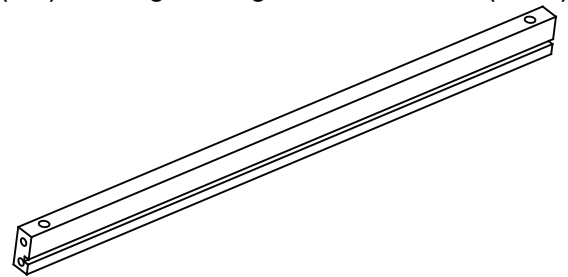
(B3) Changer langer top rail (1PC)



(B4) Changer langer middle rail 1(1PC)

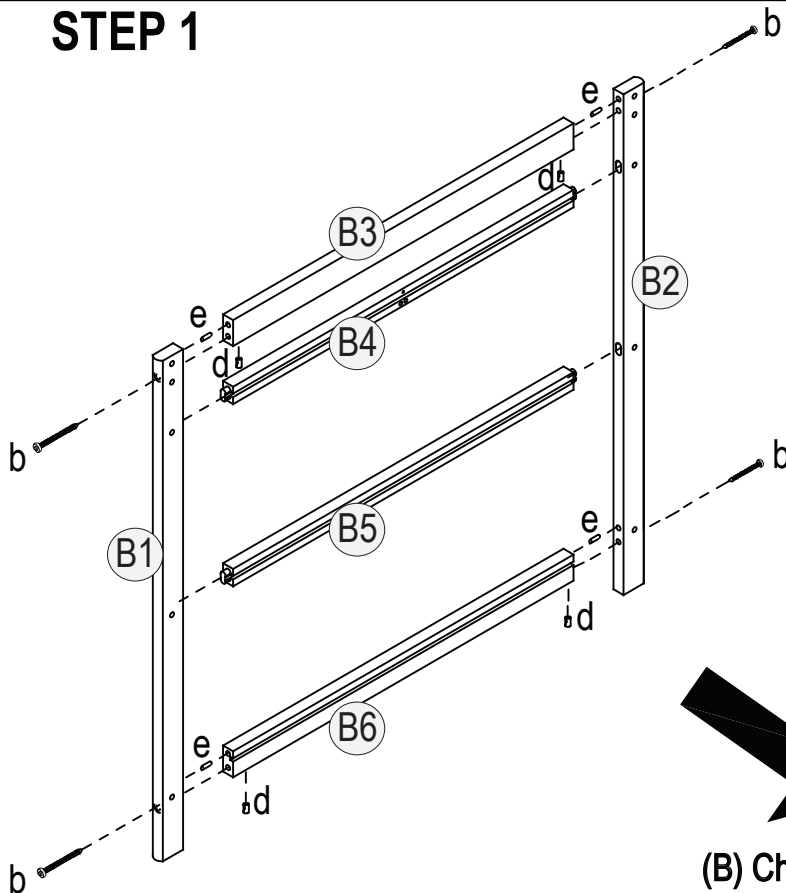


(B5) Changer langer middle rail 2 (1PC)



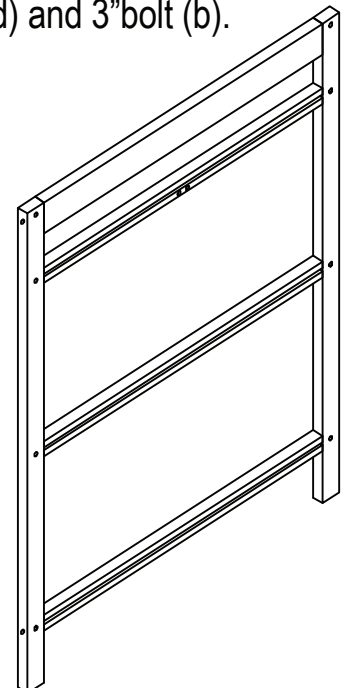
(B6) Changer langer bottom rail(1PC)

STEP 1



Use allen wrench (g) to connect bolts. Connect changer langer top rail (B3), changer langer middle rail 1(B4), changer langer middle rail 2(B5), and changer langer bottom rail (B6) to changer back leg (B1) and changer front leg (B2) by using wood dowel (e), barrel nut (d) and 3"bolt (b).

(B) Changer right side (1PC)

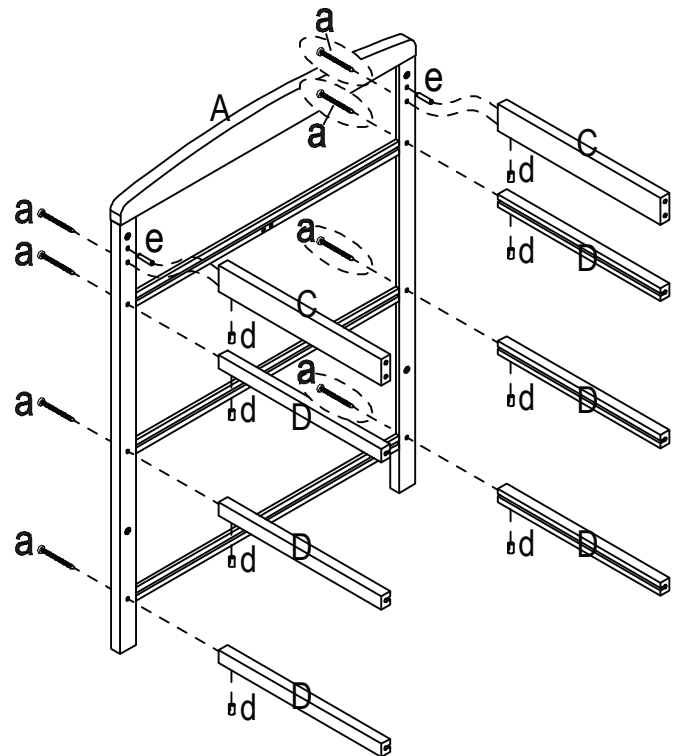


STEP 2

Use allen wrench (g) to connect bolts.

Connect changer top rail (C) to changer left side (A) by using wood dowel (e), barrel nut (d) and 2-1/8" bolt (a).

Connect changer shelf support (D) to changer left side (A) by using barrel nut (d) and 2-1/8" bolt (a).

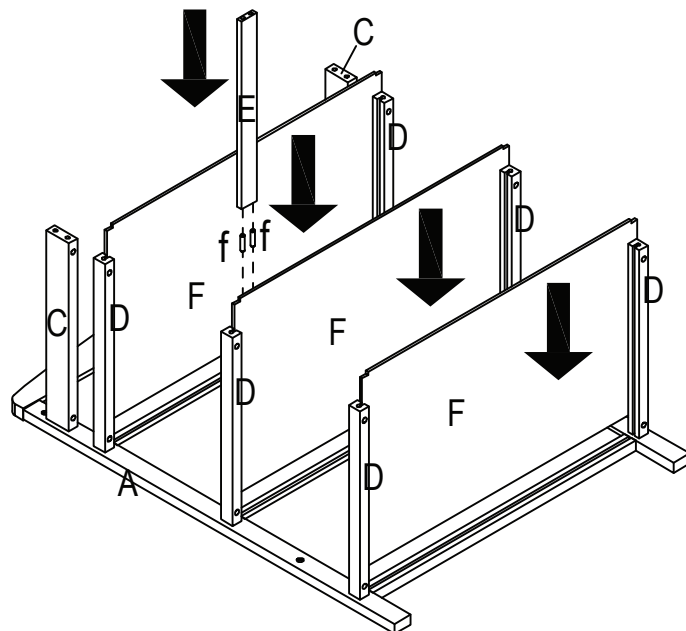


STEP 3

Lay down the assembled parts on the floor.

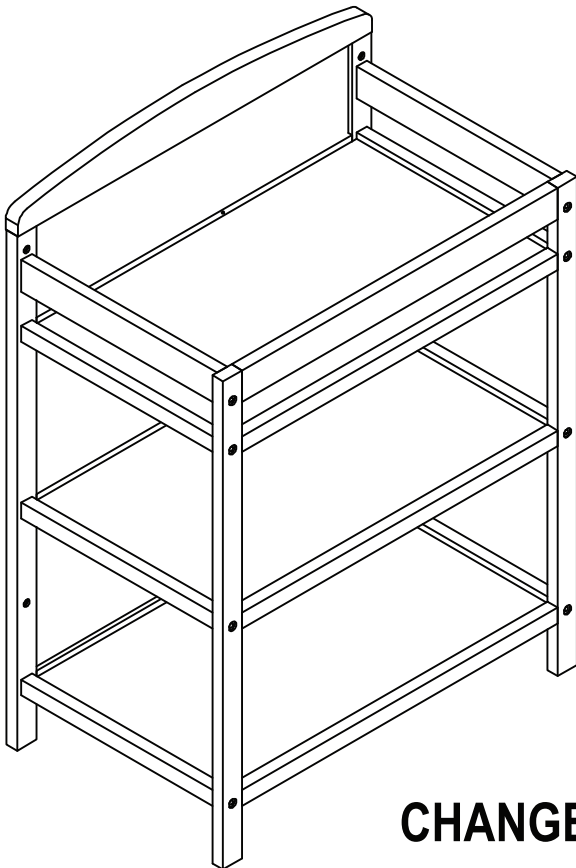
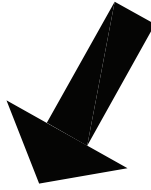
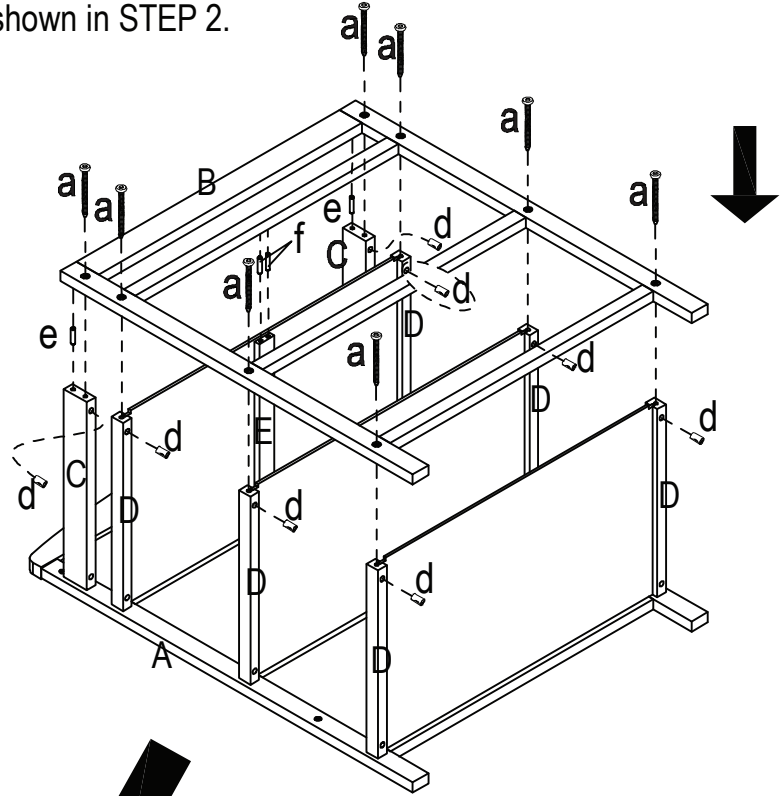
Slide the changer shelf (F) into the grooves on changer shelf support (D) and the changer left side (A).

Assemble changer middle rail (E) to the changer left side (A) by using wood dowel (f)



STEP 4

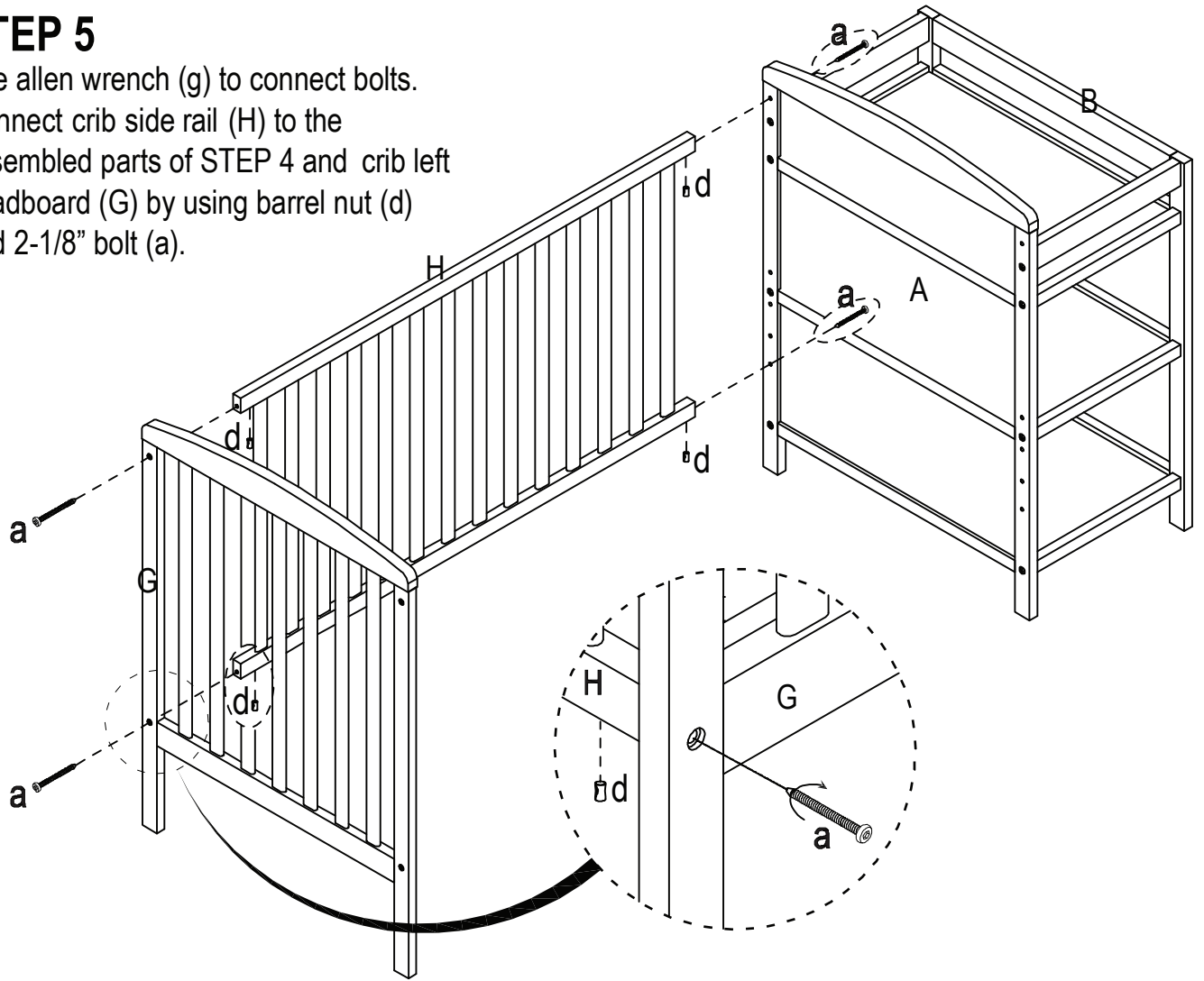
Assemble the assembled parts of STEP 1 (B) to the assembled parts of STEP 3 use the same way as shown in STEP 2.



CHANGER

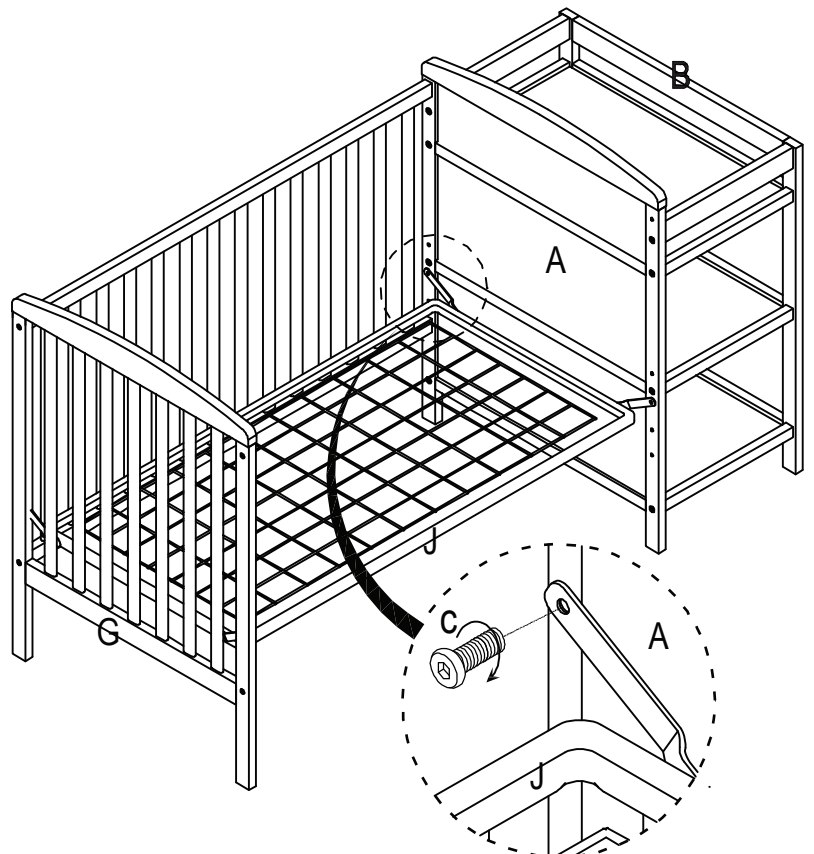
STEP 5

Use allen wrench (g) to connect bolts. Connect crib side rail (H) to the assembled parts of STEP 4 and crib left headboard (G) by using barrel nut (d) and 2-1/8" bolt (a).



STEP 6

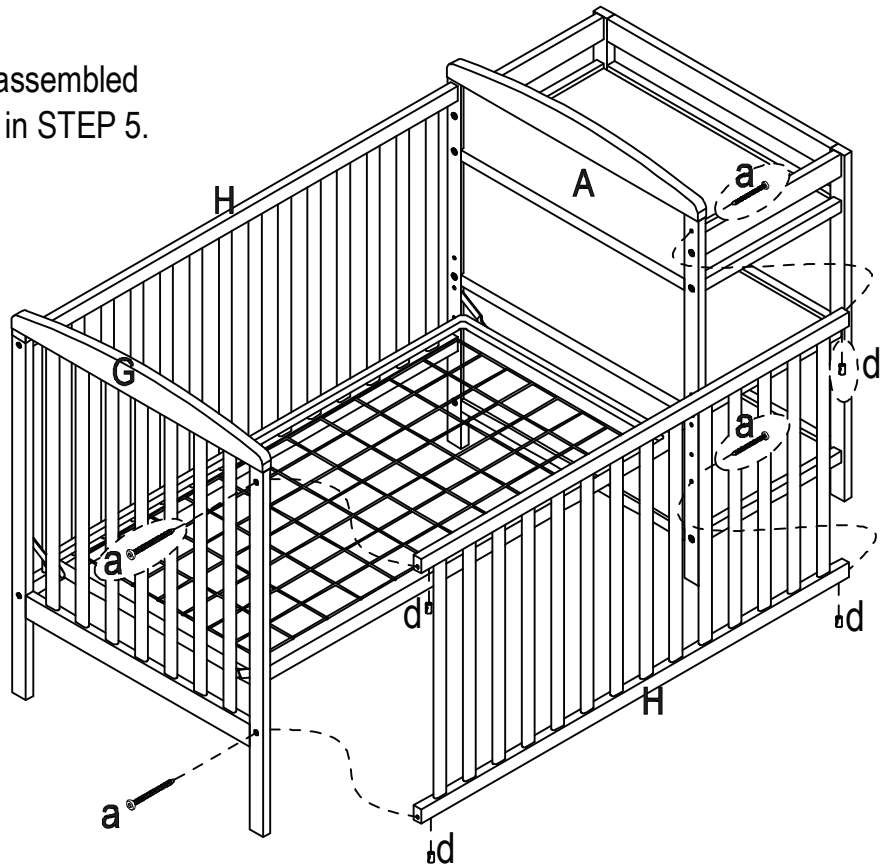
Locate the metal spring support platform (J) with tabs. Be sure the smooth side of the metal spring support platform (J) is faced upward. Position the tabs of the metal spring support platform (J) to mount to the selected position in the legs. Insert the 5/8" bolt (c), through the tabs and into thread inserts, then tighten securely with allen wrench (g).



NOTE: As your child grows, you may wish to change the mattress height to a lower position using lower holes provided.

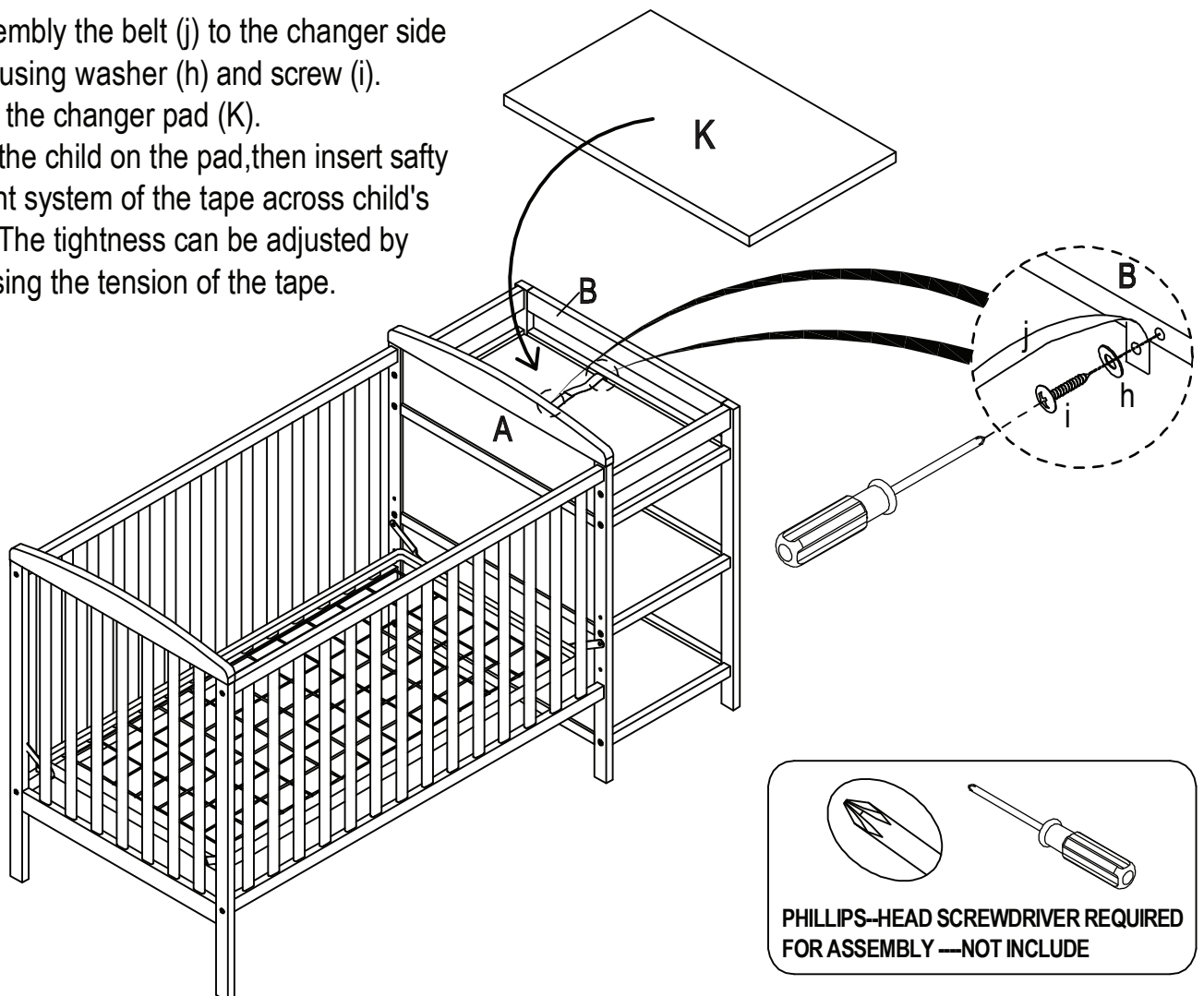
STEP 7

Assemble crib side rail (H) to the assembled parts use the same way as shown in STEP 5.

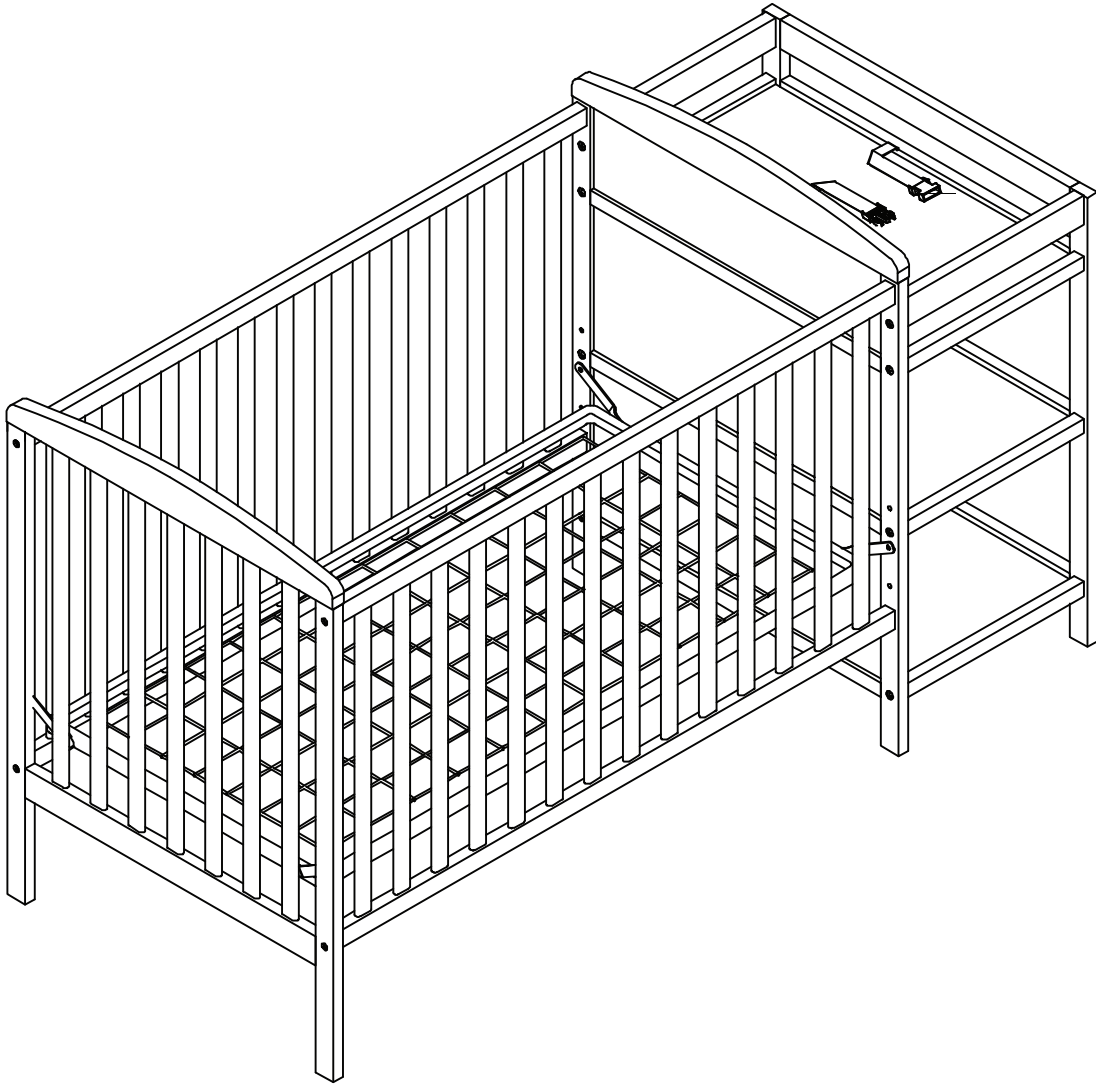


STEP 8

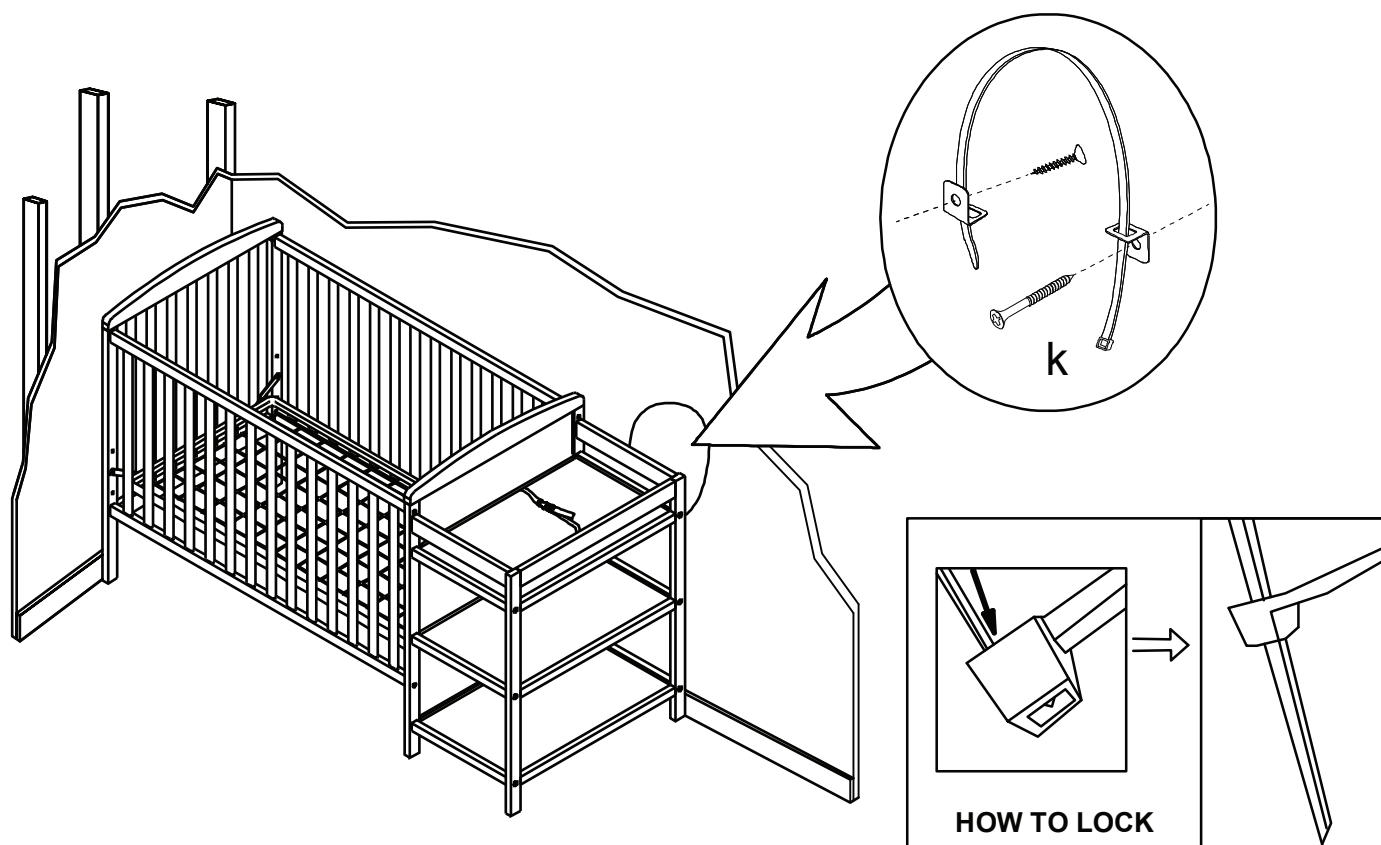
1. Assembly the belt (j) to the changer side (A&B) using washer (h) and screw (i).
2. Add the changer pad (K).
3. Put the child on the pad, then insert safety restraint system of the tape across child's waist. The tightness can be adjusted by increasing the tension of the tape.



STEP 9



FURNITURE TIPPING DETERRENT HARDWARE



Tipping furniture may injure young children. Use of this tipping restraint hardware is highly recommended.

When properly installed this hardware could provide protection against the unexpected tipping of furniture due to improper use.

WARNING

This hardware is only a deterrent. Adult supervision is the only proper deterrent to prevent improper use of any potentially hazardous product.

1. Attach one of the mounting brackets securely to the back top edge of the furniture using the short screw.
2. Find the stud in the wall and mark the location on the wall for mounting the second bracket using a 2" wood screw approximately 2" below the bracket mounted to the edge of the furniture.
3. If a stud cannot be found, purchase a "Hollow-Wall Anchor Bolt" and attach the second bracket to the wall using that bolt. Make sure to follow all instructions by the manufacturer.
4. Place the furniture so the bracket on the back edge is in line with the bracket on the wall.
5. Lace an end of the nylon restraint strap down through each bracket. Bring both ends together and slide the beaded end of the strap through the key hole shaped slot in the other end tightly. Pull down on the beaded end until it snaps locks into the keyhole.
6. Check to make sure the strap is securely laced and locked to the brackets.