



DREAM ON ME
219 36TH STREET
BROOKLYN, NY 11232
718-768-5500



TODDLER BED
STYLE NO: 624

MADE IN CHINA

CAUTION: ANY MATTRESS USED IN THIS TODDLER BED MUST BE AT LEAST 51-5/8 INCHES (131CM) BY 27-1/4 INCHES (69CM) WITH A THICKNESS OF AT LEAST 4 INCHES (10CM) AND NOT EXCEEDING 6 INCHES (15CM) .



WARNING:

****** KEEP INSTRUCTIONS FOR FUTURE USE ******

READ ALL INSTRUCTIONS BEFORE ASSEMBLY

CAUTION: BEFORE USING THIS TODDLER BED, RECHECK ALL SCREWS TO BE SURE THAT THEY ARE TIGHTENED SECURELY. A PERIODICAL CHECK SHOULD BE MADE OF ALL SCREWS & NUTS TO BE SURE THEY REMAIN TIGHT.



WARNING:

FAILURE TO FOLLOW THESE WARNINGS AND THE ASSEMBLY INSTRUCTIONS COULD RESULT IN SERIOUS INJURY OR DEATH.

THE GUARDRAILS PROVIDED **MUST** BE USED

STRINGS CAN CAUSE STRANGULATION DO NOT PLACE
ITEMS WITH A STRING AROUND A CHILD'S NECK SUCH AS
HOOD STRINGS OR PACIFIER CORDS
DO NOT SUSPEND STRINGS OVER THE TODDLER BED OR
ATTACH STRINGS TO TOYS
DO NOT PLACE THE TODDLER BED NEAR A WINDOW
WHERE CORDS FROM BLINDS OR DRAPES CAN STRANGLE
A CHILD. DO NOT TIE PACIFIER, NECKLACES, OR ANY OTHER
ITEMS AROUND A CHILD'S NECK OR ON THE TODDLER BED
PARTS. THIS COULD CAUSE STRANGULATION.

BEFORE EACH USAGE OR ASSEMBLY, INSPECT THE
TODDLER BED FOR DAMAGED HARDWARE, LOOSE
JOINTS, MISSING PARTS, OR SHARP EDGES. DO NOT USE
THE TODDLER BED IF ANY PARTS ARE MISSING OR
BROKEN. ASK YOUR DEALER OR WRITE TO DREAM ON
ME, FOR REPLACEMENT PARTS AND INSTRUCTIONAL
LITERATURE IF NEEDED. DO NOT SUBSTITUTE ANY
PARTS.

IF REFINISHING, USE A NON TOXIC FINISH SPECIFIED FOR
CHILDREN'S PRODUCTS. TO CLEAN, WASH WITH MILD
SOAP AND A DAMP CLOTH.
TO STORE, KEEP IN A COOL, DRY PLACE.

DO NOT USE WITH LESS THAN 12 INCHES (31CM) OF
SPACE BETWEEN THE TODDLER BED AND SOLID OBJECTS
AS A WALL OR DRESSER. A CHILD COULD SLIDE INTO A
SMALL SPACE AND SUFFOCATE.

DO NOT USE THE TODDLER BED FOR INFANTS. THIS
TODDLER BED IS NOT A SUBSTITUTE FOR A CRIB. THE
TODDLER BED IS INTENDED FOR A CHILD BETWEEN THE
AGE OF 15 MONTHS TO 5 YEARS WITH A MAXIMUM
WEIGHT OF 50 POUNDS (23KG).

DO NOT USE A WATER MATTRESS WITH THIS PRODUCT.

HARDWARE AND TOOL DIAGRAM



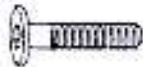
(a) BOLT 2-1/5" 12 PC



(b) BOLT 1-3/5" 2 PC



(c) BARREL NUT 12 PC

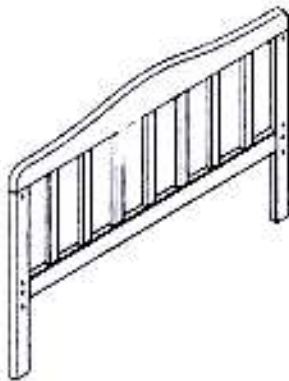


(d) BOLT 1-1/5" 2 PC

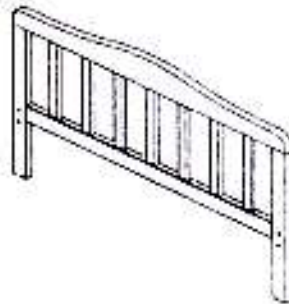


(e) ALLEN WRENCH 1 PC

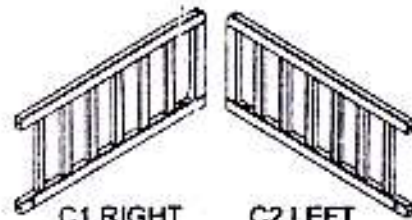
COMPONENT PARTS



(A) HEADBOARD 1PC



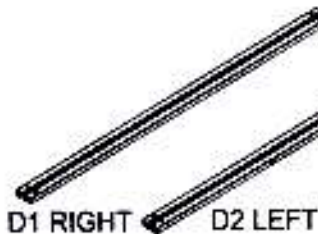
(B) FOOTBOARD 1PC



C1 RIGHT

C2 LEFT

(C) BED RAIL 2 PCS



D1 RIGHT

D2 LEFT

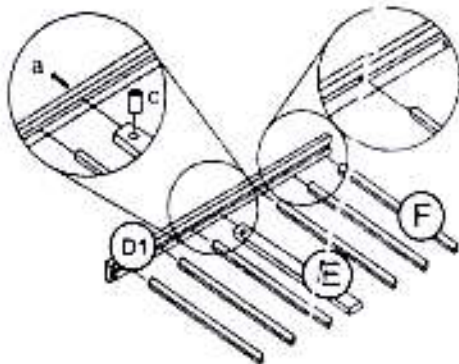
(D) SIDE BAR 2 PCS



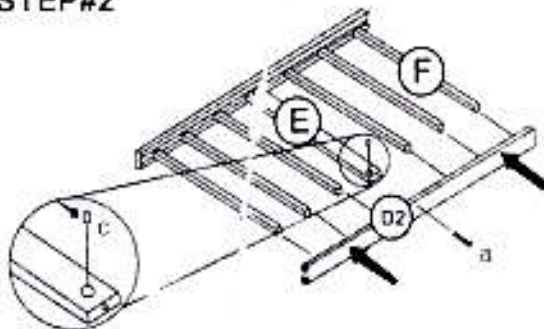
(E) CROSS MIDDLE BAR 1 PC



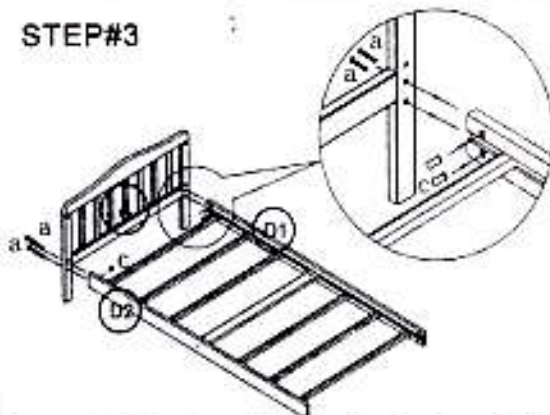
(F) CROSS BAR 6 PC

STEP#1

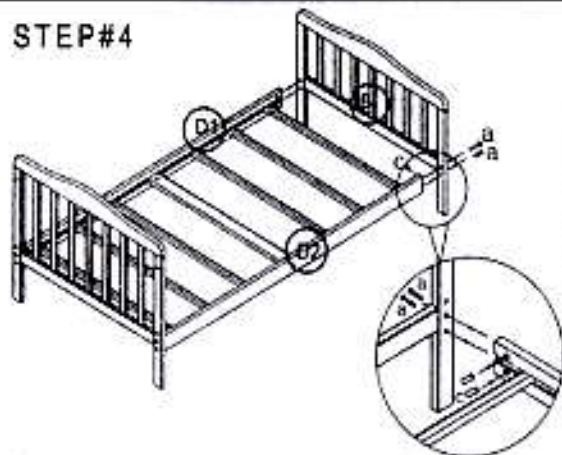
Connect Cross middle bar (E) to the Side bar (D1) using barrel nuts (c) and bolts (a). Attach cross bar (F) to Side bar (D1). Please note: dowel end should fit into hole in the groove.

STEP#2

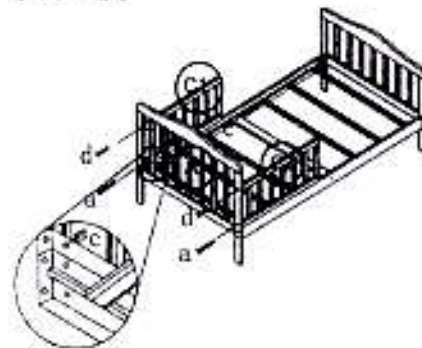
Connect the other Sidebar (D2) to the Cross middle bar (E) using barrel nuts (c) and bolts (a). Make sure cross bar (F) are connected to the grooving on Side bar (D2).

STEP#3

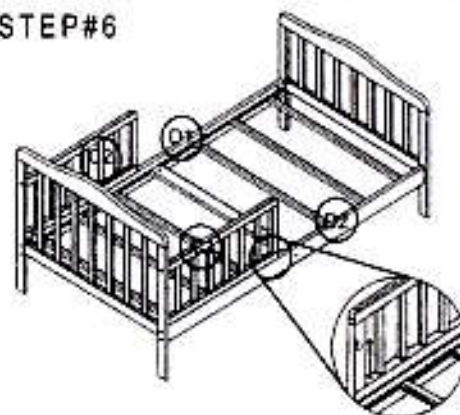
Attach Side bar (D) to the headboard (A) using barrel nuts (c) and bolts (a). Make sure that the holes on the side bar (D) are facing up, and nearer the headboard (A).

STEP#4

Repeat step 3 for the footboard (B) as shown.

STEP#5

To assemble the bed rail (C). Connect the bottom rail to the headboard (A) using barrel nuts (c) and bolts (a). Make sure that the holes for nuts (c) are inside the bed and can not be visible from outside. Connect the top rail to headboard (A) using bolts (d). Do not over tighten bolts.

STEP#6

Bolt bottom side rail into Side bar (D) using bolt (b) as shown. Congratulations, your toddler bed is ready to use now.