

Dream On Me Inc.
125 Helen Street
S.Plainfield NJ 07080
TEL: 908-791-0555
FAX: 908-791-1809



ASSEMBLY INSTRUCTIONS

ITEM NO: 629

Read all instructions before assembling crib.

Save instructions for future use.

Adult assembly required.

Small parts may present choking hazard prior to assembly.

Enclosed please find simple step-by-step instructions to help you quickly assemble your products. Before you begin we recommend that you following the steps below:

- 1. Please read the instructions thoroughly.**
- 2. Identify all parts and hardwares**
- 3. You will need the following tools:**

Philips head screw driver

Flat head screw driver Hammer

Do Not Use Power Drills or Drivers

To protect your parts during assembly please place them on a soft surface.

To clean surface use only water on a damp cloth. Do not use window cleaners or cleaning abrasives as it will scratch the surface and could damage the protective coating.



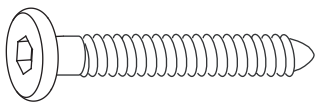


WARNING !

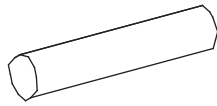
- FAILURE TO FOLLOW THESE WARNINGS AND THE ASSEMBLY INSTRUCTIONS COULD RESULT IN SERIOUS INJURY OR DEATH.
- READ ALL INSTRUCTIONS BEFORE ASSEMBLING CRIB. KEEP INSTRUCTIONS FOR FUTURE USE.
- ANY MATTRESS USED IN THIS CRIB MUST BE AT LEAST 37-3/4 INCHES BY 23-3/4 INCHES WITH A THICKNESS NOT EXCEEDING 2 INCHES.
- CHECK THIS PRODUCT FOR DAMAGED HARDWARE, LOOSE JOINTS, MISSING PARTS OR SHARP EDGES BEFORE AND AFTER ASSEMBLY. A FREQUENT CHECK SHOULD BE MADE DURING USE. DO NOT USE CRIB IF ANY PARTS ARE MISSING, DAMAGED OR BROKEN. CONTACT DREAM ON ME INC. 125 HELEN STREET S. PLAINFIELD NJ 07080 FOR REPLACEMENT PARTS AND INSTRUCTIONAL LITERATURE IF NEEDED. DO NOT SUBSTITUTE PARTS.
- TO REDUCE THE RISK OF SIDS, PEDIATRICIANS RECOMMEND HEALTHY INFANTS BE PLACED ON THEIR BACKS TO SLEEP, OTHERWISE ADVISED BY YOUR PHYSICIAN.
- STRINGS CAN CAUSE STRANGULATION! DO NOT PLACE ITEMS WITH A STRING AROUND A CHILD'S NECK, SUCH AS HOOD STRINGS OR PACIFIER CORDS. DO NOT SUSPEND STRINGS OVER A CRIB OR ATTACH A STRINGS TO TOYS.
- TO HELP PREVENT STRANGULATION TIGHTEN ALL FASTENERS. A CHILD CAN TRAP PARTS OF THE BODY OR CLOTHING ON LOOSE FASTENERS.
- DO NOT PLACE CRIB NEAR WINDOWS WHERE CORDS FROM BLINDS OR DRAPS MAY STRANGLE A CHILD.
- WHEN CHILD IS ABLE TO PULL TO A STANDING POSITION, SET MATTRESS TO THE LOWEST POSITION AND REMOVE BUMPER PADS, LARGE TOYS AND OTHER OBJECTS THAT COULD SERVE AS STEPS FOR CLIMBING OUT.
- WHEN CHILD IS ABLE TO CLIMB OUT OR REACH THE HEIGHT OF 35 IN.(89CM), THE CRIB SHALL NO LONGER BE USED.
- DO NOT USE A WATER MATTRESS WITH THIS CRIB.
- INFANTS CAN SUFFOCATE ON SOFT BEDDING, NEVER ADD A PILLOW OR COMFORTER. NEVER PLACE ADDITIONAL PADDING UNDER AN INFANT.
- NEVER USE PLASTIC SHIPPING BAGS OR OTHER PLASTIC FILM AS MATTRESS COVERS BECAUSE THEY CAN CAUSE SUFFOCATION.
- INFANTS CAN SUFFOCATE IN GAPS BETWEEN CRIB SIDES AND A MATTRESS THAT IS TOO SMALL.
- REPLACE TEETHING RAIL IF DAMAGED, CRACKED OR LOOSE.
- IF REFINISHING, USE A NON-TOXIC FINISH SPECIFIED FOR CHILDREN'S PRODUCTS.
- FOLLOW WARNINGS ON ALL PRODUCTS IN A CRIB. SEE HEAD PANNEL AND MATTRESS SUPPORT FOR WARNINGS AND INSTRUCTIONS.

MADE IN CHINA

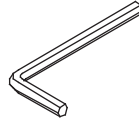
CONNECTION HARDWARE



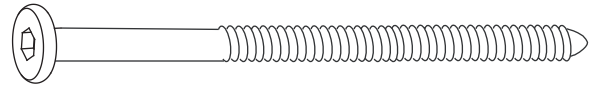
a: 1-3/5" Allen head bolt (18 pcs)



b: Wood dowels (18 pcs)



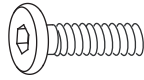
c: Allen wrench (1 pc)



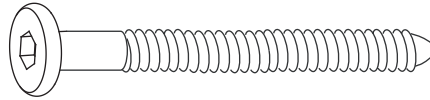
d: 3" Allen head bolt (4 pcs)



e: Barrel nuts (12 pcs)



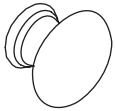
f: 3/4" Allen head bolt (4 pcs)



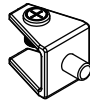
g: 2-1/5" Allen head bolt (8 pcs)



h: 1-1/5" Screw (3 pcs)



i: Knob (3 pcs)



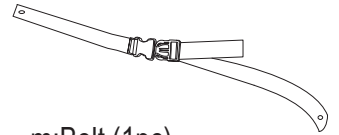
j: Shelf support (4 pcs)



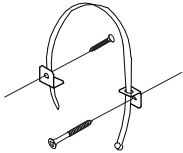
k: Washer (2 pcs)



l: Bolt (2 pcs)



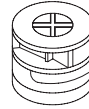
m: Belt (1 pc)



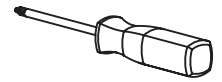
n: Tip over restraints (1 pc)



p: Cam bolts (24 pcs)



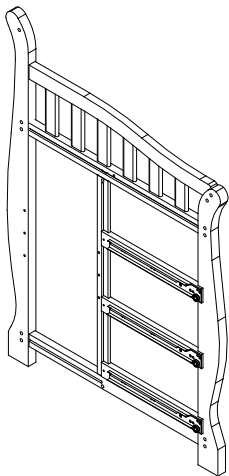
q: Cams (24 pcs)



PHILLIPS- HEAD SCREWDRIVER REQUIRED FOR ASSEMBLY- NOT INCLUDE

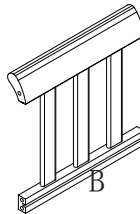
PARTS ENCLOSED IN CARTON

A: Changer right side (1 pc)

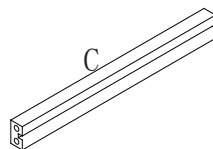


Changer back

B: Top rail (1 pc)

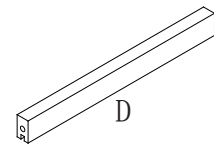


C: Bottom bar (1 pc)

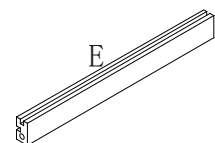


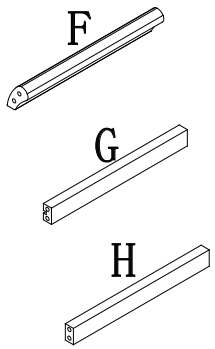
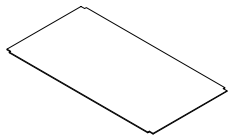
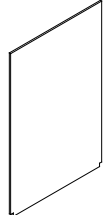
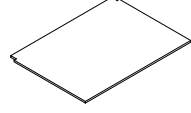
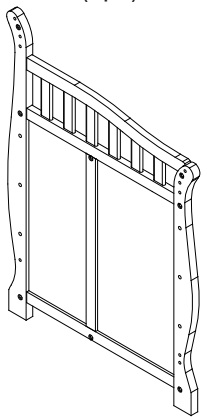
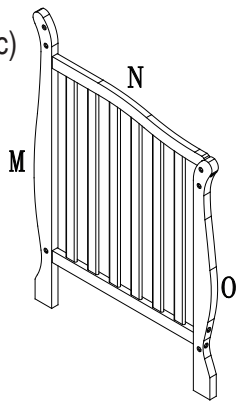
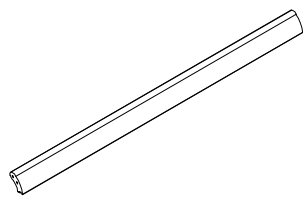
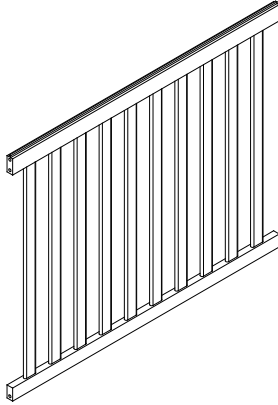
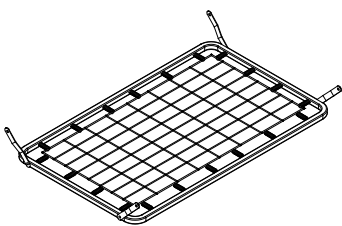
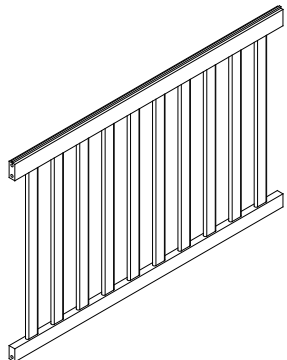
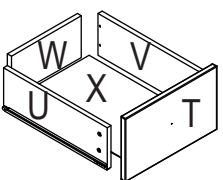
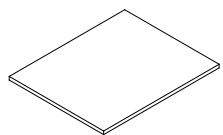
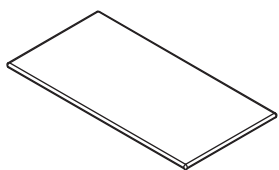
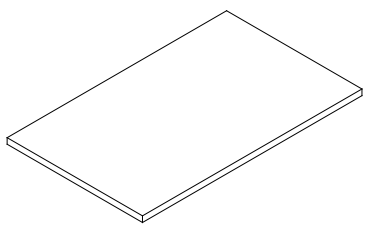
Changer middle

D: Top bar (1 pc)



E: Bottom bar (1 pc)

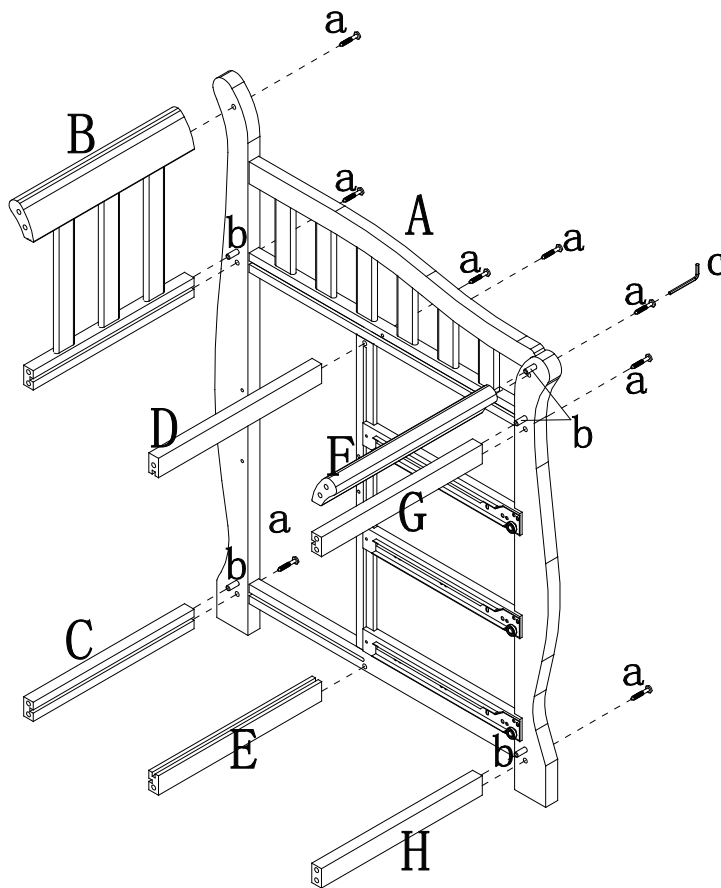


<p>Changer front bar</p>  <p>F: Top (1pc) G: Middle (1pc) H:Bottom (1pc)</p>	<p>I:Changing surface (1pc)</p>  <p>J:Changer middle panel</p> 	<p>K:Changer bottom shelf (1pc)</p> 
<p>L:Changer left side (1pc)</p> 	<p>M:Left back leg (1pc) N:Left board (1pc) O:Left front leg (1pc)</p> 	<p>P:Top rail(2pcs)</p> 
<p>Q:Back rail bottom (1pc)</p> 	<p>R:Metal spring support platform (1pc)</p> 	<p>S:Front rail bottom (1pc)</p> 
<p>Drawer</p> <p>T:Front panel (3pcs) U:Left side panel (3pcs) V: Right side panel (3pcs) W:Back panel (3pcs) X:Bottom panel (3pcs)</p> 	<p>Y:Changer middle shelf (1pc)</p>  <p>Z:Smallll pad (1pc)</p> 	<p>r:Big pad (1pc)</p> 

CRIB ASSEMBLY

STEP 1

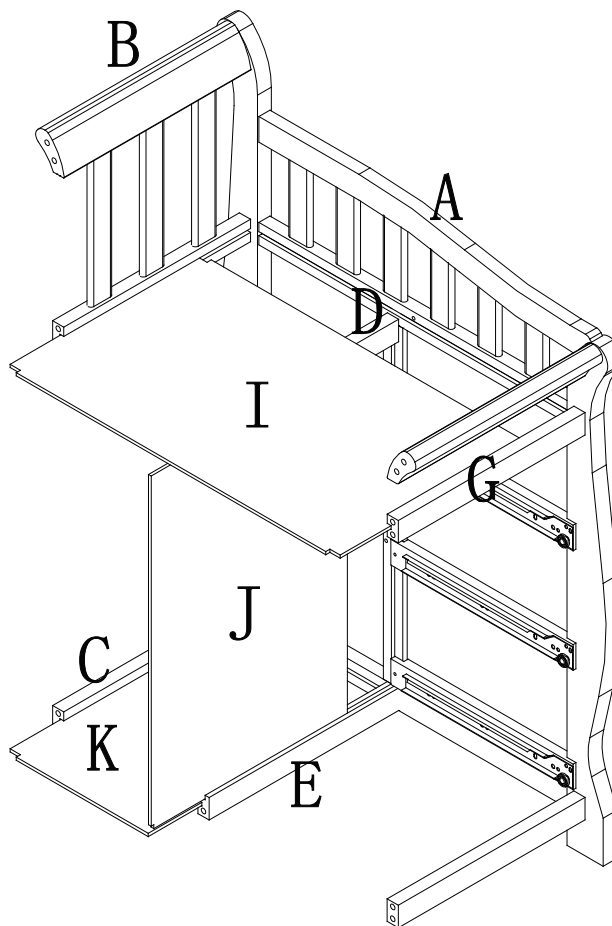
Attach The changer back(B&C) ,
and The changer middle(D&E) ,
and The changer front (F,G,&H)
toThe changer right side (A) using wood
dowels (b) , bolts (a) by allen
wrench (c) .



Model shown is example only.
Styles may vary .

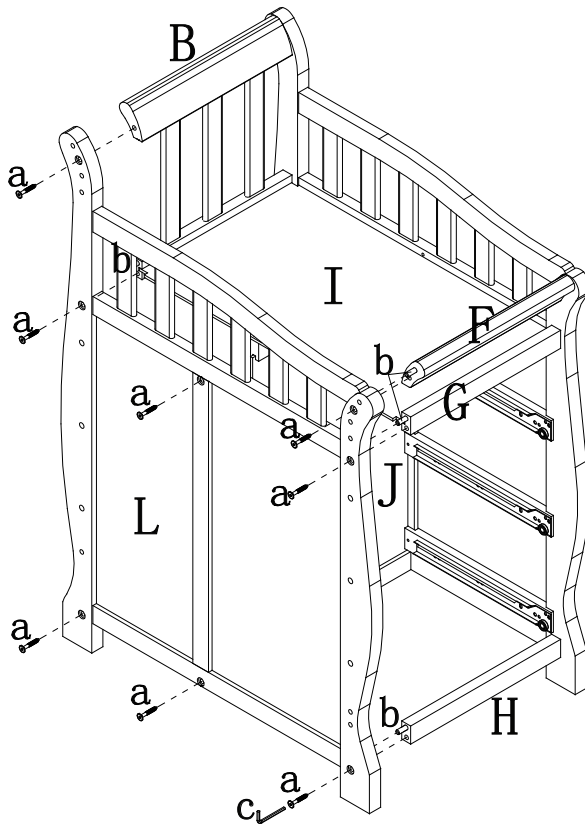
STEP 2

Lay down the assembled parts
on the floor .
Slide The changing surface (I)
into the groove in (D) along the
groove between (B) and (G) .
Slide (J) into the groove in (A)
along the groove between (D)
and (E) .
Then slide (K) into groove in
(A) along the groove between
(C) and (E) .



Model shown is example only.
Styles may vary .

STEP 3

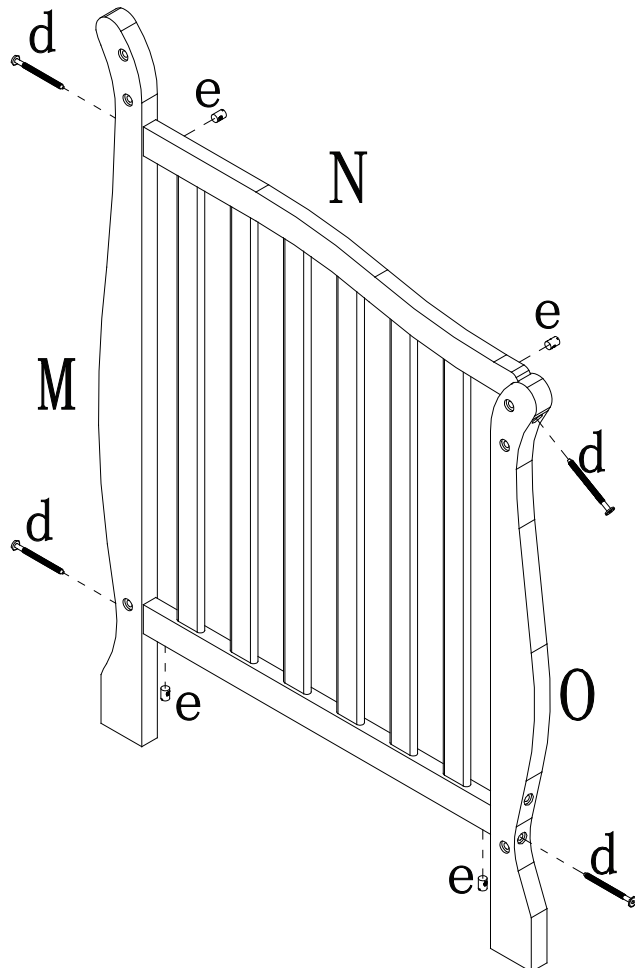


Attach The changer back (B&C) and The changer middle (B&C) and The changer front (F,G&H) to The changer left side (L) using wood dowels (b),bolts (a) by allen wrench (c) .

Model shown is example only.
Styles may vary .

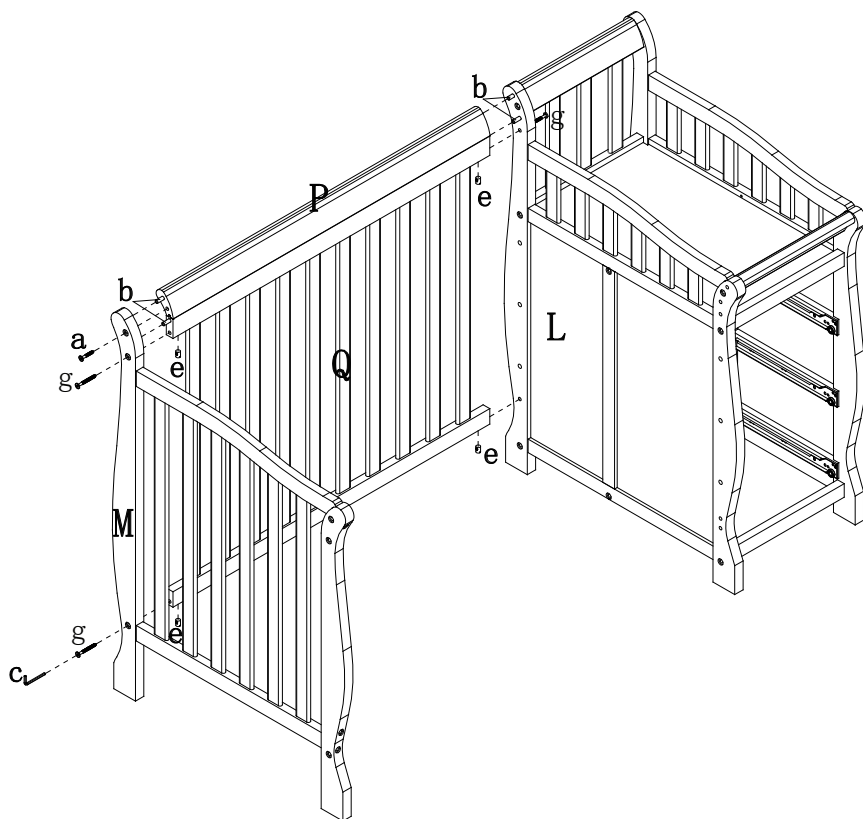
STEP 4

Attach left back leg (M) and left front leg (O) to left board (N) using bolts (d) and barrel nuts (e) .



Model shown is example only.
Styles may vary .

STEP 5

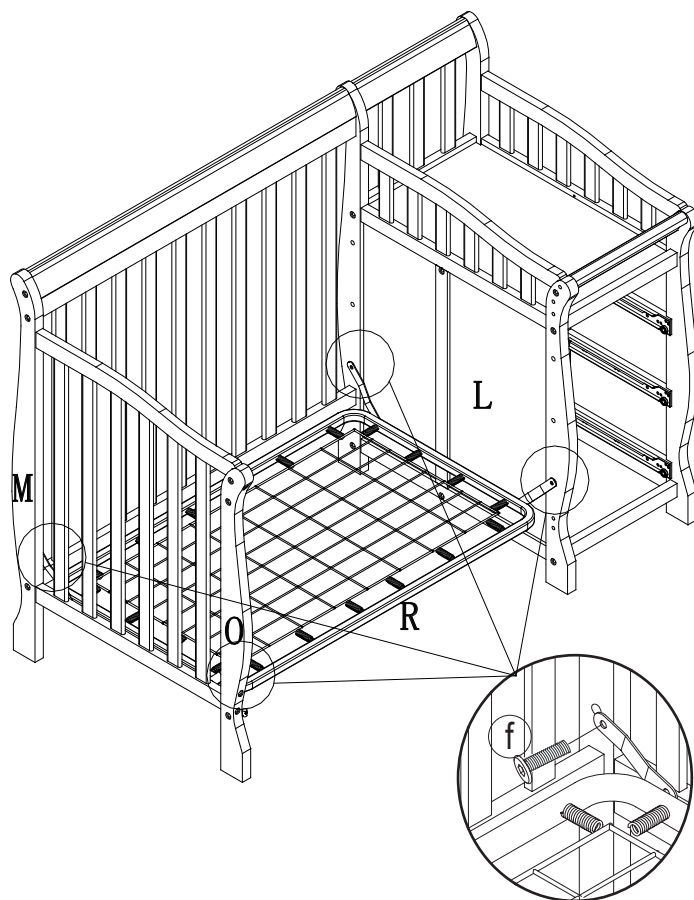


Attach The top rail (P) and the bottom rail (Q) to The changer side (L) and left headboard using wood dowels(b),bolts(a&g) and barrel nuts(e) by allen wrench.

Model shown is example only.
Styles may vary .

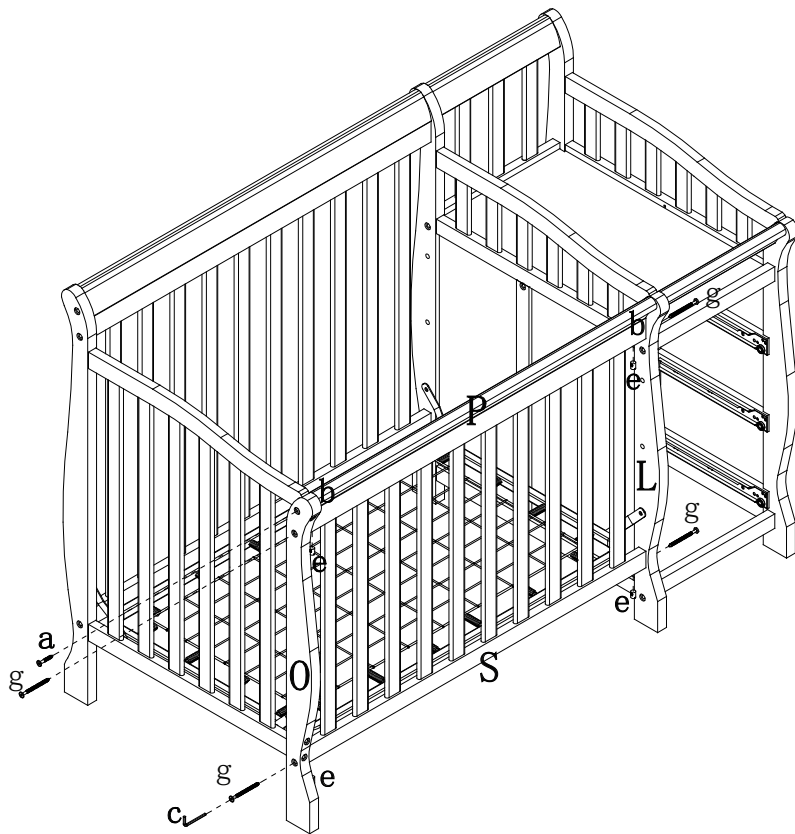
STEP 6

Locate the mattress support (R) with tabs .
Be sure the smooth side of the mattress support (R) is faced upward .
Position the tabs of the mattress support(R) to mount to the selected position in the legs .
Insert the bolts (f) , through the tabs and into thread inserts , then tighten securely with allen wrench (c) .



Model shown is example only.
Styles may vary .

STEP 7



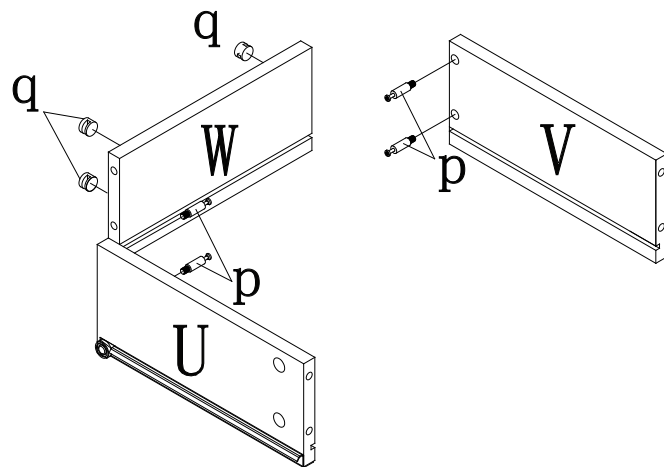
Attach The top rail (P) and bottom front rail (S) to The changer side (L) and the left head board using wood dowels (b),bolts (a&g),barrel nuts (e) and allen wrench (c) .

Model shown is example only.
Styles may vary .

STEP 8

Attach left side panel (U) & right side panel (V) to back panel (W) by cams (q) & cam bolts(p) into the holes on left side panel (U) & right side panel (V) .

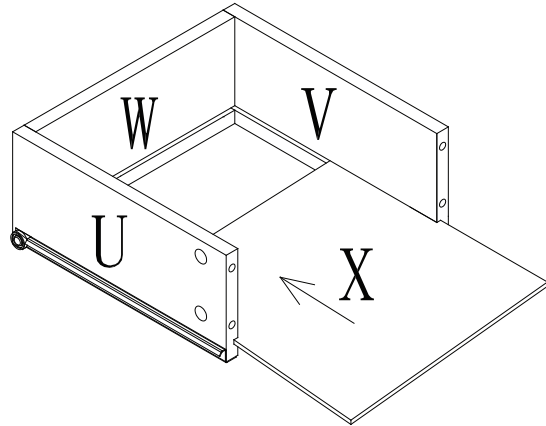
DO NOT tighten all .



Model shown is example only.
Styles may vary .

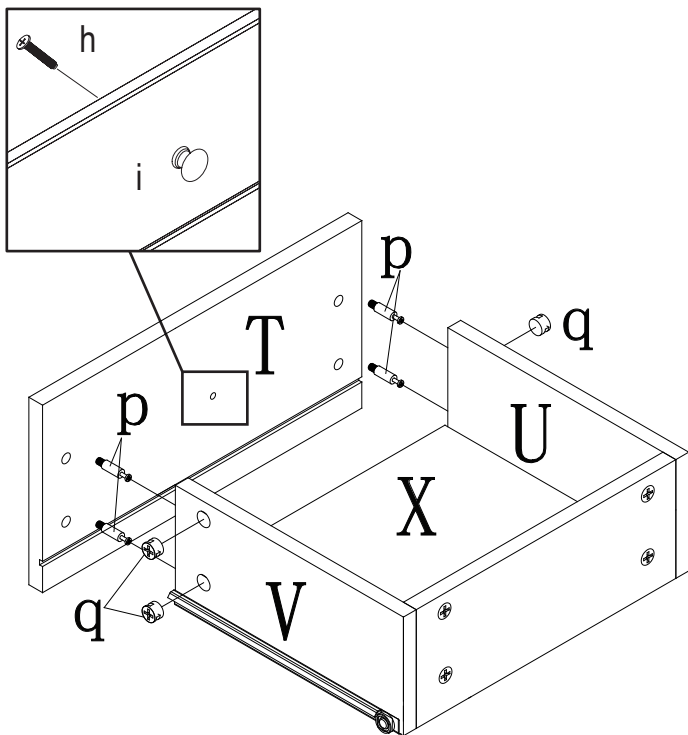
STEP 9

Slide the bottom panel (X) painted side up, into grooves of the left side panel (U) and the right side panel (V). In the end, insert the bottom (X) into the groove of back panel (W).



Model shown is example only.
Styles may vary .

STEP 10



Attach the knob (i) to the front panel (T) by screw (h) .

Attach the front panel (T) to the left side panel (U) and the right side panel (V) by cams (q) & cam bolts (p) into the holes on left side panel (U) & right side panel (V) .

Inserting the bottom panel (X) into the groove of the front panel (T) .

Tighten all the screws .

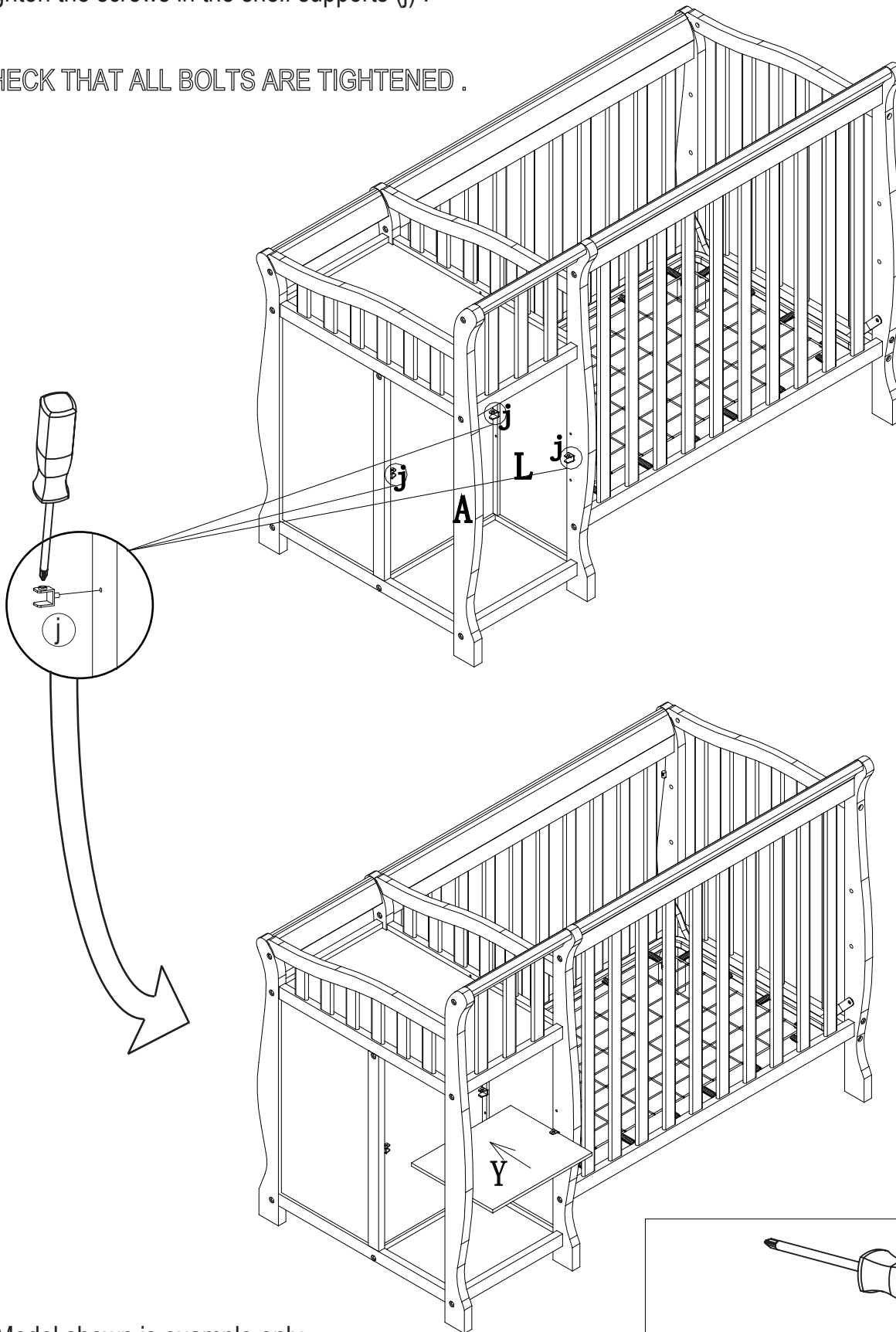
Assemble the rest two drawers follow step 8,9,10 .

Model shown is example only.
Styles may vary .

STEP 11

Insert the shelf supports (j) in the holes in the posts of changing table.
Then place the changer middle shelf (Y) inside the shelf support.
Tighten the screws in the shelf supports (j) .

CHECK THAT ALL BOLTS ARE TIGHTENED .

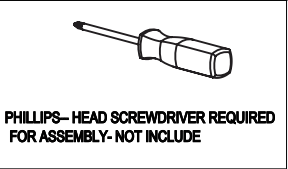
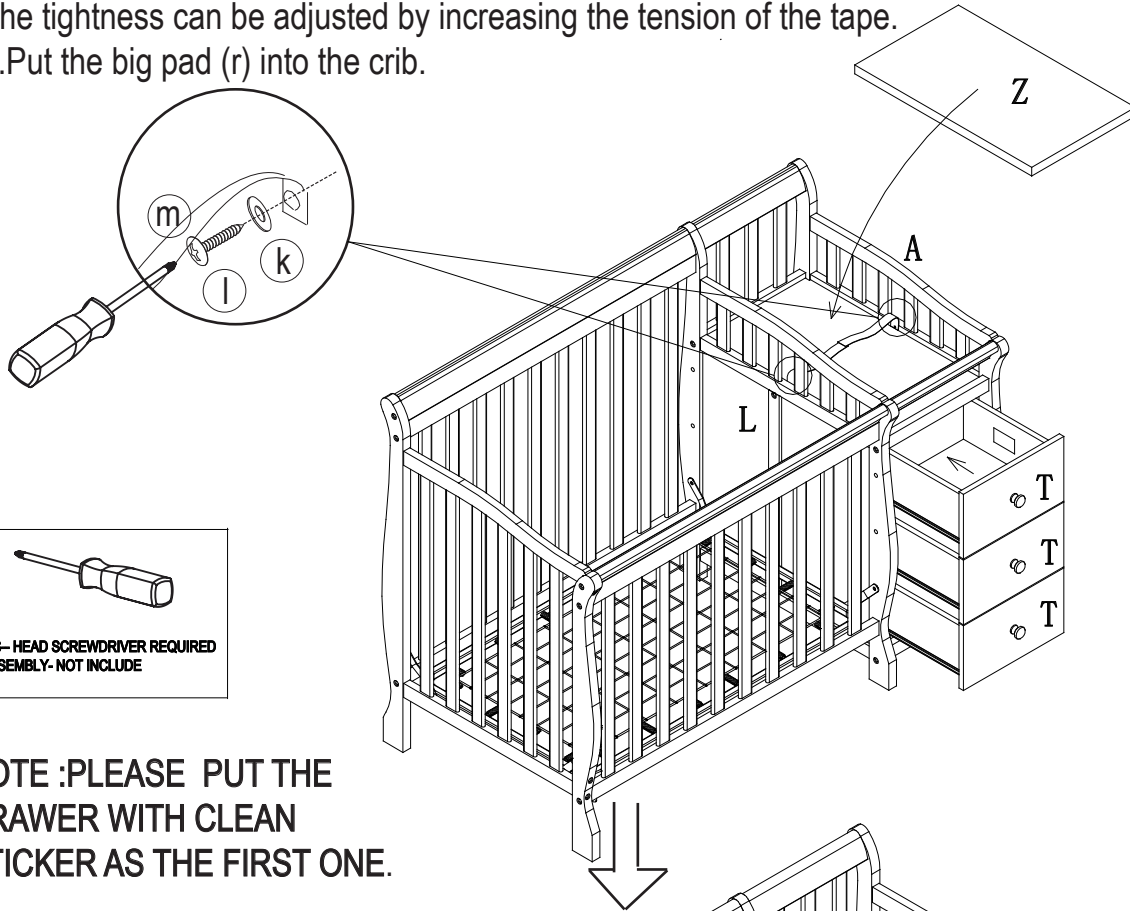


Model shown is example only.
Styles may vary .

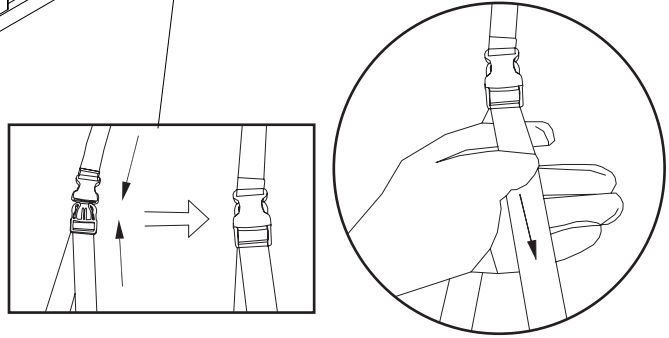
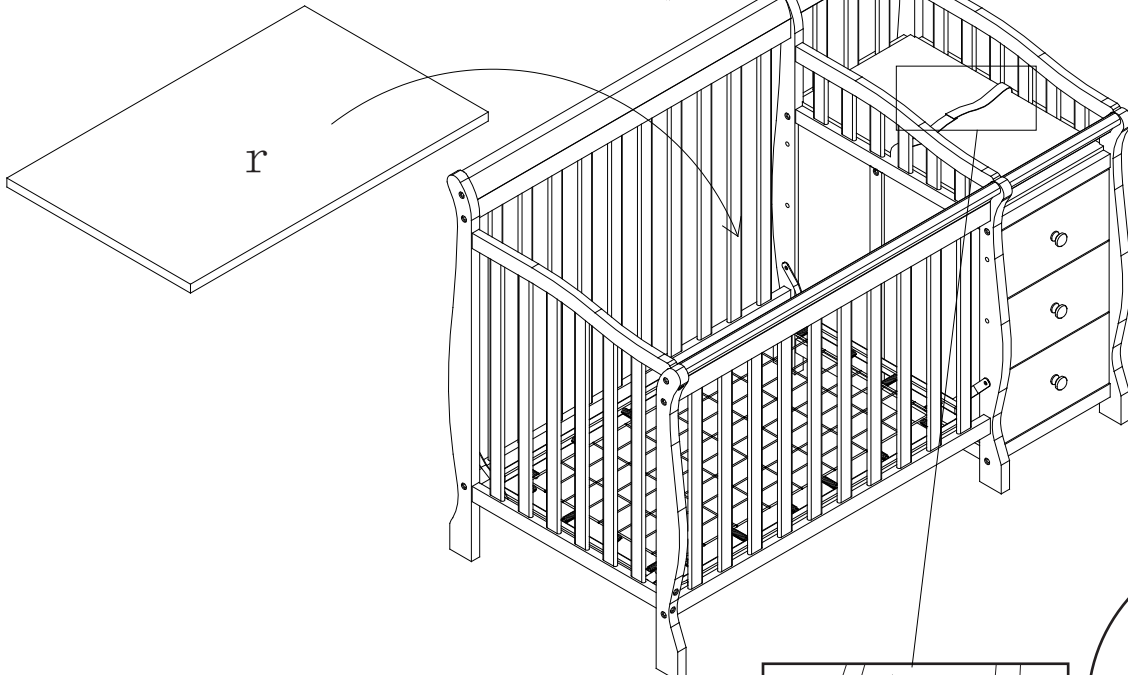
**PHILLIPS- HEAD SCREWDRIVER REQUIRED
FOR ASSEMBLY- NOT INCLUDE**

STEP 12

1. Slide the drawers into rails on head board (A&L) .
2. Assembly the belt (m) to the changer side (A&L) using washer(k) and bolt(l).
3. Add the pad (Z) .
4. Put the child on the pad, then insert safty restraint system of the tape across child's waist. The tightness can be adjusted by increasing the tension of the tape.
5. Put the big pad (r) into the crib.



NOTE :PLEASE PUT THE DRAWER WITH CLEAN STICKER AS THE FIRST ONE.



Model shown is example only.
Styles may vary .

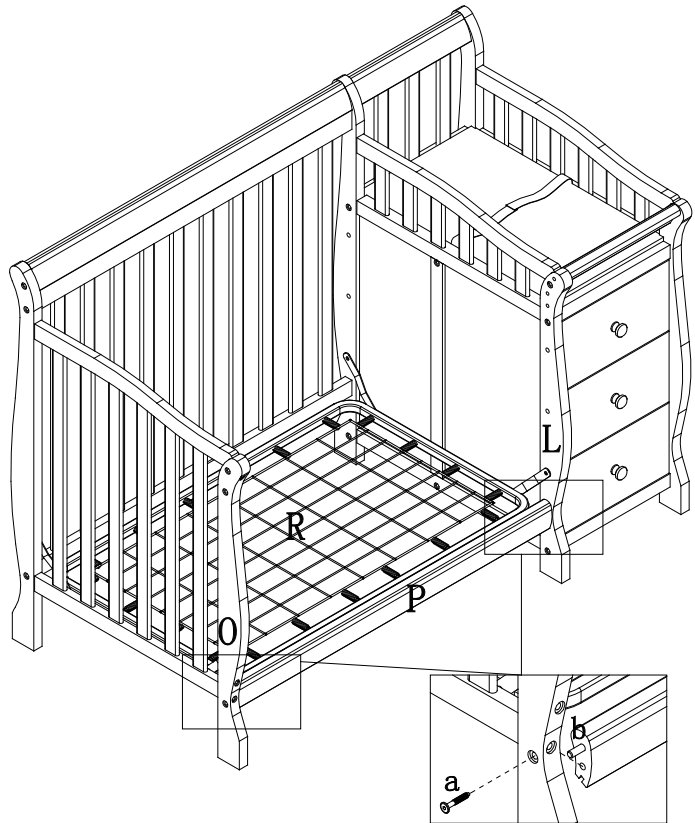
Converting crib to a day bed

You have the option to convert crib to a day bed

1:Remove the front rail bottom(S)
and the top rail (P),

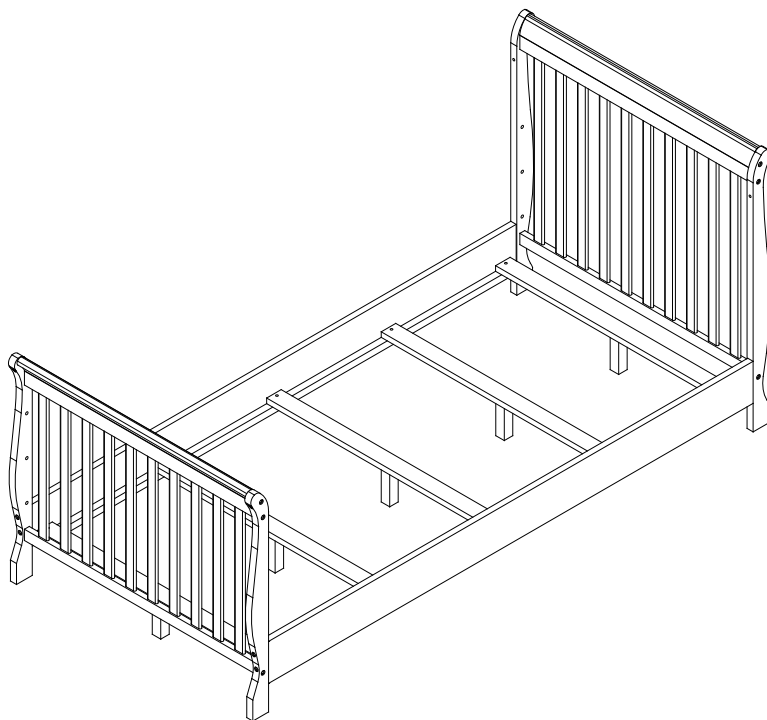
2:Install the mattress support (R)
in its lowest position.

3:Assembly the top rail (P) to left
head board and changer side
(L) using allen head bolt (a) and
wood dowel (b) as shown .



Model shown is example only.
Styles may vary .

Converting crib to a adult bed



Converting kit is sold separately
You have the option to convert
crib to a adult bed

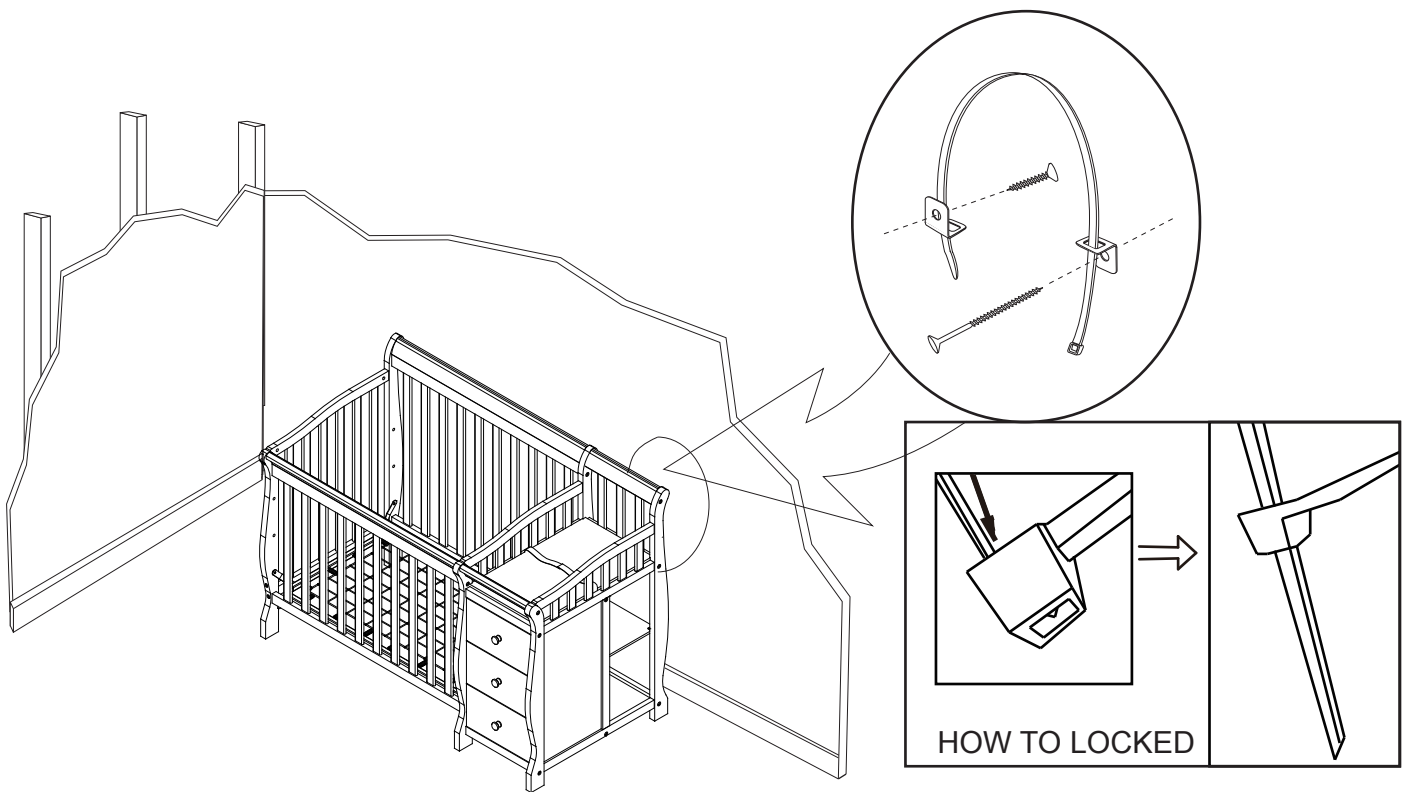
1:Use the front rail as the
footboard of adult bed;

2:Use the back rail as the
headboard of adult bed;

3:Connect the front rail and the
back rail to the kits (legs, long
rails,and hardware) which are
not included and sold separately.

Model shown is example only.
Styles may vary .

FURNITURE TIPPING DETERRENT HARDWARE



Tipping furniture may injure young children . Use of this tipping restraint hardware is highly recommended .

This hardware , when properly installed , could provide protection against the unexpected tipping of furniture due to improper use .

⚠ WARNING : This hardware is only a deterrent . Adult supervision is the only proper deterrent to prevent improper use of the units .

1. Attach one of the mounting brackets securely to the back top edge of the furniture using the short screw .
2. Find the stud in the wall and mark the location on the wall for mounting the second bracket with a 2" wood screw , approximately 2" below the bracket mounted to the edge of the furniture .
3. If a stud cannot be found , purchase a "Hollow-Wall Anchor Bolt" and attach the second bracket to the wall using that bolt . Make sure to follow all instructions by the manufacturer .
4. Place the furniture so the bracket on the back edge is in line with the bracket on the wall .
5. Lace an end of the nylon restraint strap down through each bracket . Bring both ends together and slide the beaded end of the strap through the key hole shaped slot in the other end unit snug . Pull down on the beaded end until it snap locks into the keyhole .
6. Check to make sure the strap is securely laced and locked to the brackets .