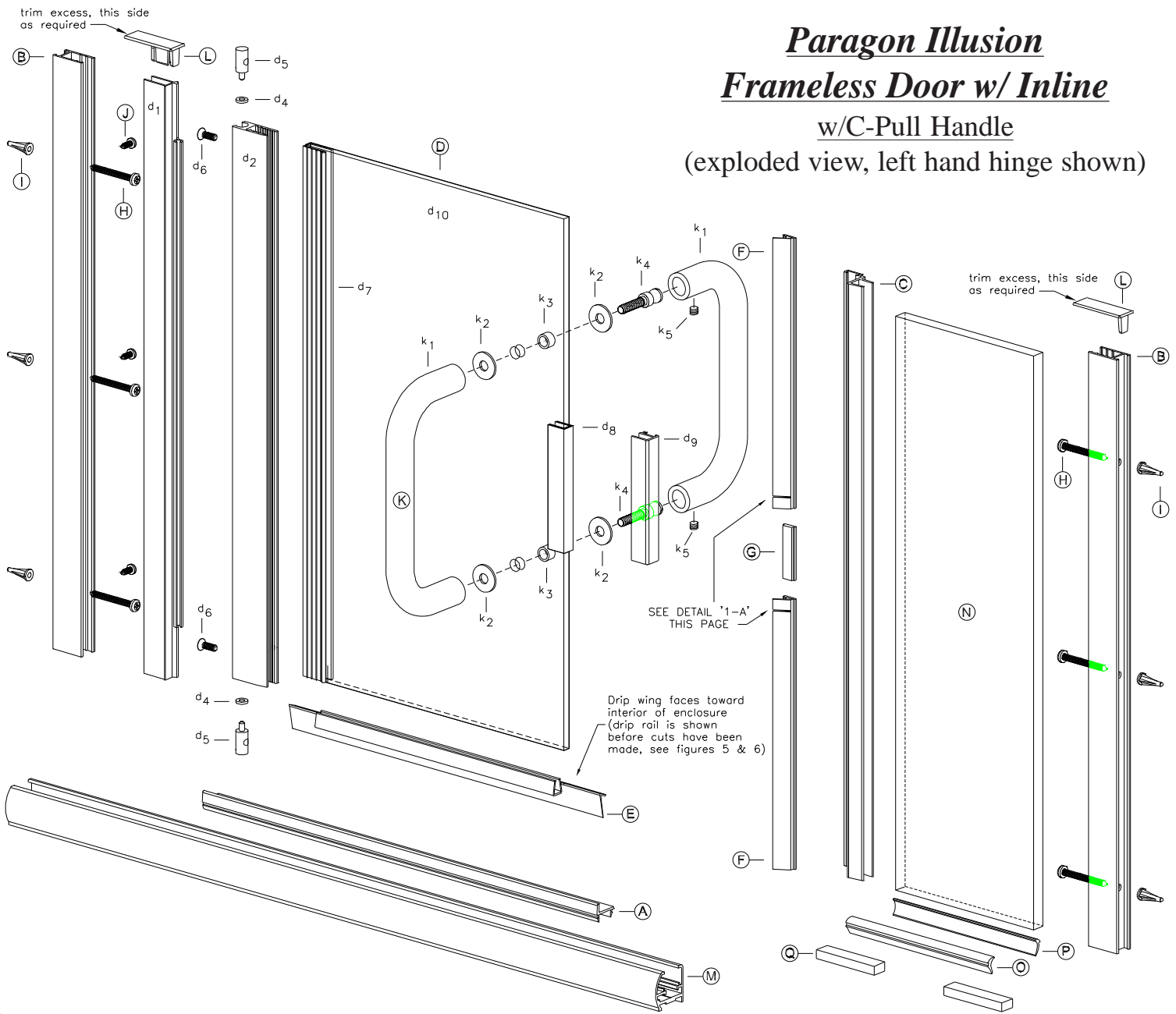


# *Paragon Illusion*

## *Frameless Door w/ Inline*

### *w/C-Pull Handle*

(exploded view, left hand hinge shown)



### PART LIST OF MATERIAL

KEY LETTER	PART NUMBER	DESCRIPTION	QTY	KEY LETTER	PART NUMBER	DESCRIPTION	QTY
A	901	DAM SILL	1	E	C 914 C	DRIP RAIL ASSEMBLY	
B	903	WALL JAMBS	2	F	C 956 C	SEAL VINYL (Strike Post)	2
C	C 180 C	VINYL STRIKE POST	1	G	98-46	MAGNET (Strike Post)	1
D	----	DOOR ASSEMBLY		H	6-8114PHP	INSTALLATION SCREWS	6
d1	920	Door Hinge Post	1	I	1329	PLASTIC SCREW ANCHORS	6
d2	980	Door Hinge Stile	1	J	638PHPT	ADJUSTMENT SCREWS	3
d3	C 921 B	Door Hinge Sleeve (not shown)	1	K	Z-5311-8	C-PULL ASSEMBLY	
d4	CP148TW	Door Hinge Washer	2	k1	---	Handles (set)	1
d5	CP932	Door Hinge Bushing	2	k2	---	Washers	4
d6	812FHP	Door Assembly Screw	2	k3	---	Sleeve Bushing	2
d7	C 954 B	Door Glazing Vinyl	---	k4	---	Screws	2
d8	C 955 B	Door Strike Vinyl	1	k5	---	Set Screws	2
d9	931M	Door Strike	1	L	CP903	JAMB CAP (wall jamb)	2
d10	----	Door Glass, 1/4" thk	1	M	900	SILL	1
				N	----	3/8" INLINE PANEL GLASS	1
				O	C 952 C	HORIZONTAL VINYL (outside)	1
				P	C 951 C	HORIZONTAL VINYL (inside)	1
				Q	CP938	SETTING BLOCKS	2

1. Measure the base opening along center of shower curb as shown in figure 1, then trim Sill (M) to 1/16" less than measurement obtained.

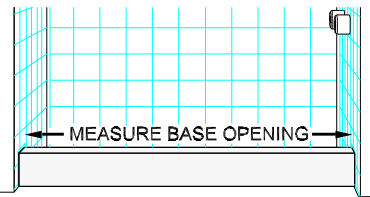


figure 1

2. With weep holes toward interior of enclosure, position Sill at center of shower curb. Temporarily tape Sill to shower curb to prevent movement.

3. Place Wall Jamb (B) on to ends of Sill (M) and up against shower walls as shown in figure 2. Plumb the Jamb, then pencil mark the installation hole locations on the shower walls (3 per jamb). Remove Wall Jamb. Use a 3/16" drill bit (designed to drill through material you are working with) to drill 1-1/4" deep installation holes in locations previously marked. Insert Plastic Screw Anchors (I) into holes.

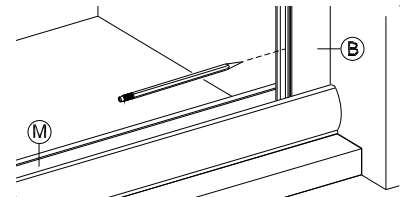


figure 2

4. Reposition Wall Jamb (B) as before and secure Jamb to walls using the six(6) 1-1/4" Installation Screws (H) provided (3 per jamb).

5. Decide on Glass Panel (N) location (**door on left - glass panel on right OR door on right - glass panel on left**). Insert two(2) Setting Blocks (Q) into the Sill cavity as shown in figure 3. \*\*\*Run a bead of caulking the full length of the Wall Jamb on both inside walls. Set Glass Panel (N), on top of the setting blocks and slide it into Wall Jamb (B). Cut and insert horizontal vinyls (P) and (O) to secure the glass panel in place.

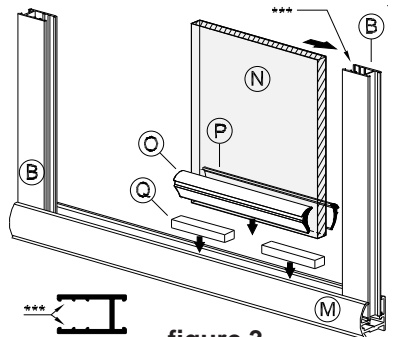


figure 3

6. Measure the door opening width as shown in figure 4 (measurement is taken from edge of Wall Jamb to edge of Glass Panel as shown). Cut Dam Sill (A) to measurement obtained and snap it into Sill (M).

7. Install Vinyl Strike (C) onto the exposed edge of the Glass Panel (N) as shown in figure 4. Make sure that Vinyl Strike is firmly seated all the way onto the Glass Panel. Detail shows short Vinyl Strike piece for clarity purposes.

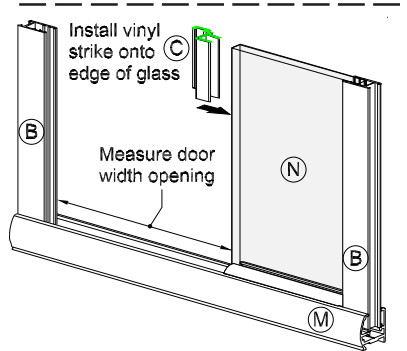


figure 4

8. Pick Door Assembly up and insert its Hinge Jamb (d1) into the Wall Jamb from which it is to swing (check to make sure that the door **swings toward outside of enclosure**). Once you are satisfied that the door is swinging toward the outside as it should, you will note that Door Hinge Stile (d1) sticks up higher than the Wall Jamb. You will need to cut the excess off . . . remove the door assembly, make the necessary cut and re-install the Door assembly as before.

On strike edge of glass, center and install Door Strike Vinyl (d8) as shown in exploded view - sheet 1. Insert Door Strike (d9) over Vinyl (d8) and tap into place (with a rubber mallet) until Strike is firmly seated. Carefully trim any excess vinyl as required. **See supplemental sheet provided for alternative Door Strike installation.**

9. Measure from bottom of Vinyl Strike Post (where it sits on Sill) to the bottom of the Door Pull (d9). Trim bottom Seal Vinyl (F) to a **1/2" more** than measurement obtained. Insert trimmed Seal Vinyl into Vinyl Strike Post as indicated in exploded view, sheet - 1. Next insert Magnet Strip (G) into Vinyl Strike Post. Finally insert remaining Vinyl Seal (F) and trim top excess as required. Snip Seal Vinyl as shown on sheet - 1, Detail '1 - A'.

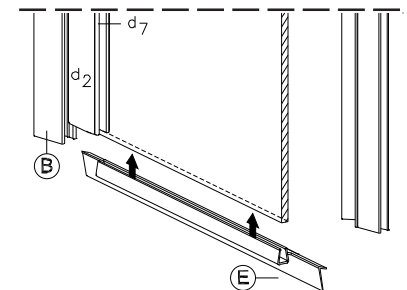


figure 5

10. Adjust Door Assembly along curb as required. Note: Bottom of Door Assembly must always remain parallel to Sill in order for door to operate properly. When satisfied with door operation, secure Hinge Post (d1) to the Wall Jamb (B) using three 638PHPT Adjustment Screws (J), see exploded view - sheet 1.

11. Install Jamb Caps (L) at both Wall Jamb as shown in exploded view - sheet 1. Trim the End Caps to required lengths before installing. Please note the difference in the Jamb Caps and their location as per exploded view on sheet 1. A dab of caulk may be used on the underside of the inline panel Jamb Cap to restrict movement.

12. Install C-pull Handles (K). Slip a Washer (k2) and Sleeve Bushing (k3) onto the C-pull Screw (k4) as shown in exploded view sheet 1. Insert it into the glass hole as shown and attach the outside C-pull Handle making sure to use a Washer (k2) between handle and glass. Hand tighten the screw and repeat step for bottom portion. When done . . . carefully tighten down assembly with a screw driver. Take inside Handle (see explode view sheet 1) and insert it onto the C-pull Screw heads as shown. Finish C-pull Handle installation by tightening down the two set screws (k5).

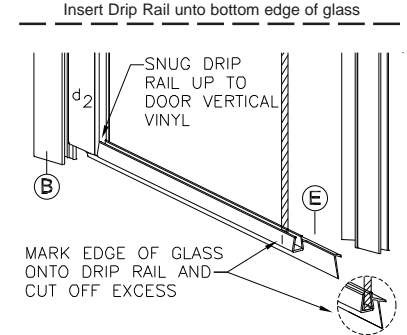


figure 6

13. With drip wing positioned toward inside of shower enclosure, Insert Drip Rail (E) onto the bottom edge of the Door Assembly (D) as shown in exploded view - sheet 1 and figure 5. Now snug the Drip Rail up to the vertical Vinyl; mark the edge of the door glass on the rail and cut off the excess as shown in figure 6.

From inside the shower enclosure, close the shower door and mark where drip wing needs to be notched for proper closure against vinyl door strike (see figure 7). Notch the drip rail as required and reposition the Drip Rail on the door and check for fit.

Once you are satisfied with the Drip Rail fit, remove the Drip Rail and run a bead of clear mildew resistant silicone down the full length the Drip Rail cavity (this will insure a secure Drip Rail installation when you reposition it on the glass). Reposition the Drip Rail on the glass and press firmly into place.

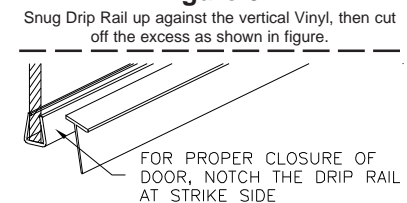
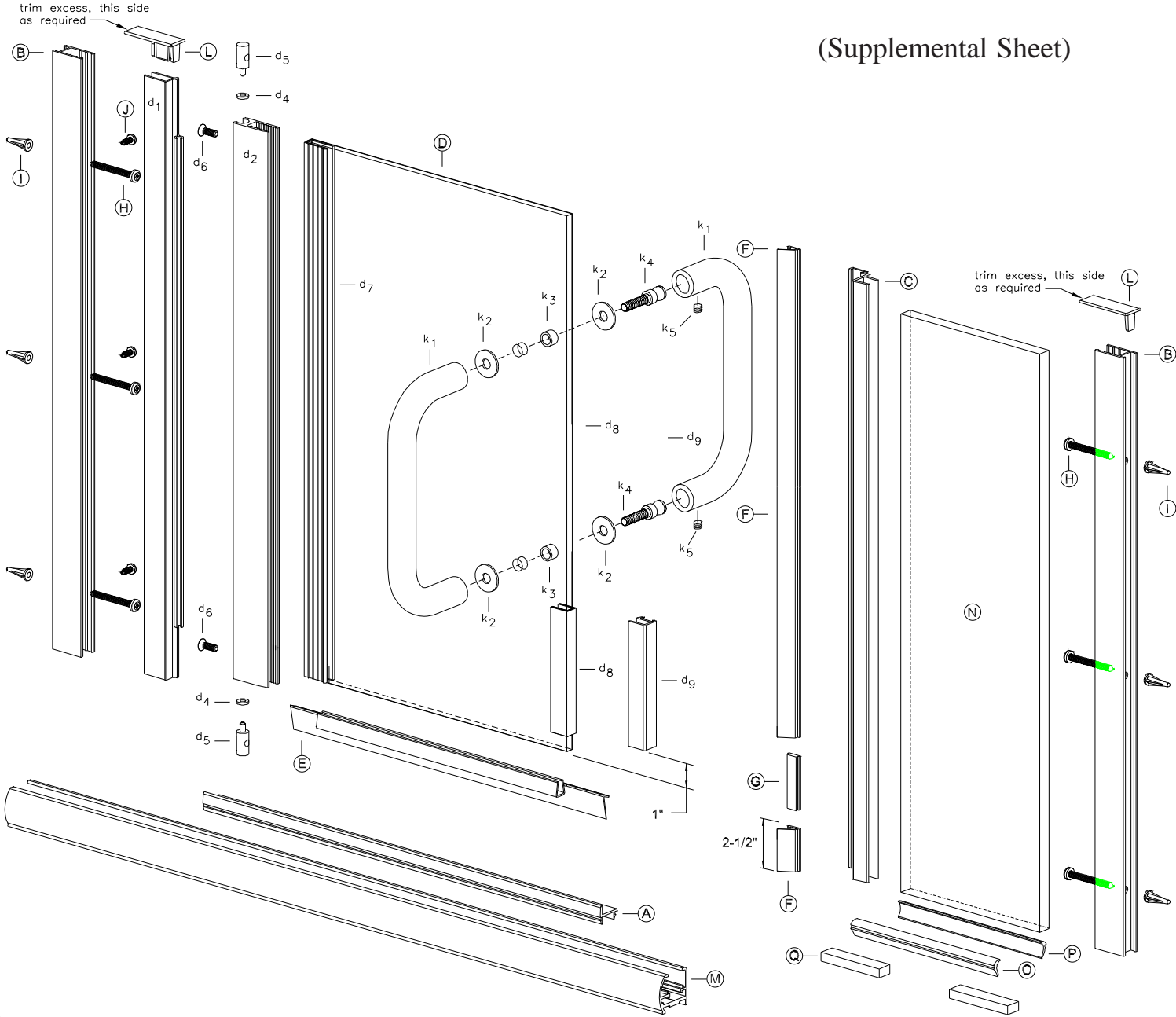


figure 7

14. Run a bead of clear mildew resistant caulking down the full length of each Wall Jamb **outside** where the Jamb meets the Walls. Now run a bead **outside** where the Sill meets the curb. Follow caulking manufacturer's instructions before using shower (normally 24 hours). Installation is now complete.



Alternative Door Strike Location Installation

8. Pick Door Assembly up and insert its Hinge Jamb (d1) into the Wall Jamb from which it is to swing (check to make sure that the door **swings toward outside of enclosure**). Once you are satisfied that the door is swinging toward the outside as it should, you will note that Door Hinge Stile (d1) sticks up higher than the Wall Jamb. You will need to cut the excess off . . . remove the door assembly, make the necessary cut and re-install the Door assembly as before.

On strike edge of glass, install the Door Strike Vinyl (d8) one inch from bottom edge of glass as shown in exploded view above. Insert Door Strike (d9) over Vinyl (d8) and tap into place (with a rubber mallet) until Strike is firmly seated. Carefully trim any excess vinyl as required.

9. Cut and Trim bottom Seal Vinyl (F) to 2-1/2" in length as shown in exploded view above and insert into Vinyl Strike Post (C). Next insert Magnet Strip (G) into Vinyl Strike Post (C). Finally insert remaining Vinyl Seal (F) and trim top excess as required.

Continue installation using regular installation instruction sheets