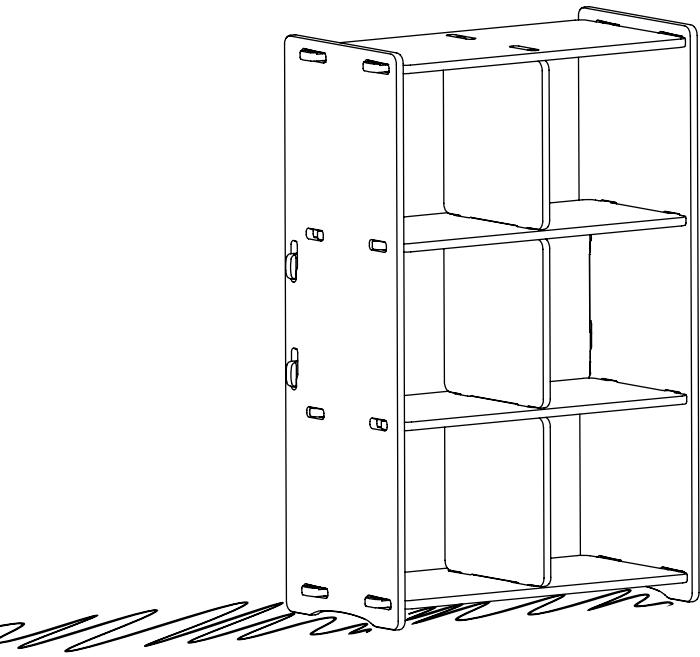




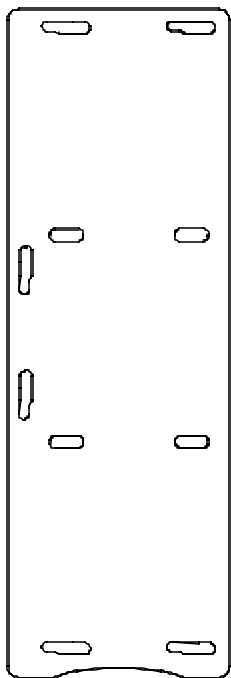
Cubby Assembly Guide

Product Code: CUB6001

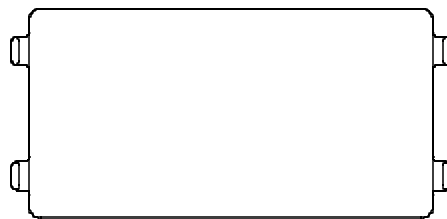


Made in the USA

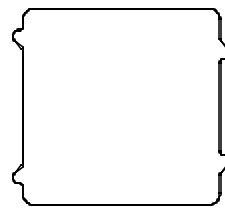
Visit www.sprout-kids.com/mysprout to register your product, and be the first to hear about new colors, styles, and products from Sprout.



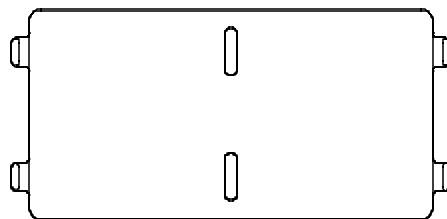
(2) Cubby Sides



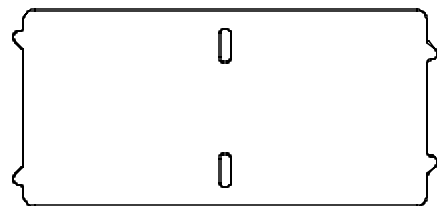
(1) Back



(3) Short Grid

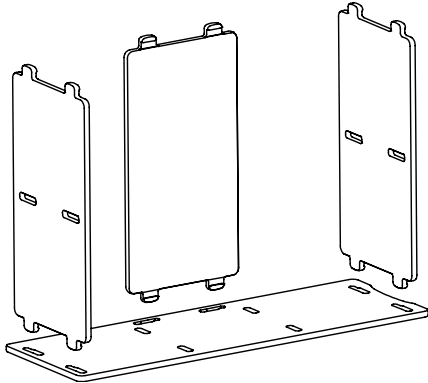


(2) Top/Bottom

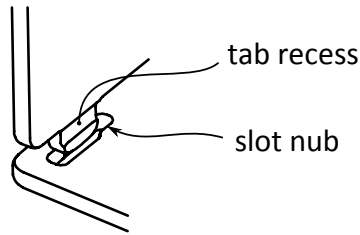


(2) Long Grid

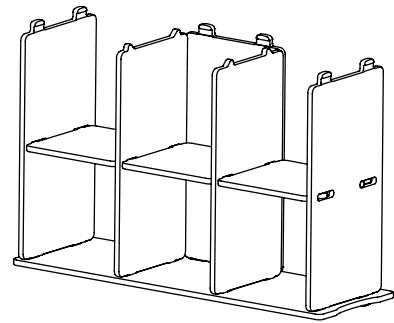
1 Lay one cubby side on the ground. Place the top, bottom, and back in place.
(Be sure to line up the recess on the tab with the nub on the slot.)



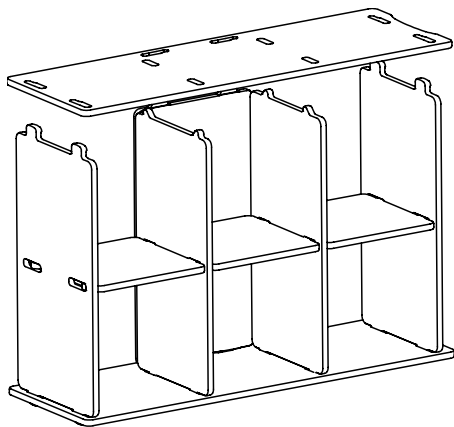
Scan the code or go to www.sprout-kids.com/cubby-assembly for video instructions



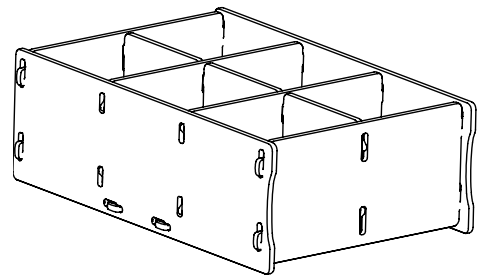
2 Put the grid pieces in place. Configure them however you need.



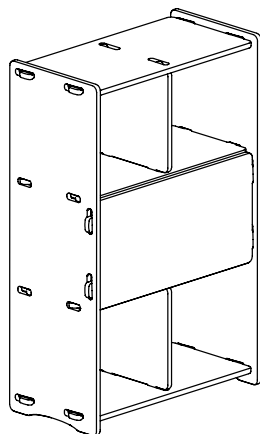
3 Put the other cubby side in place.



4 Roll the cubby to its back. Press down on the top and bottom.



5 Roll the cubby to its back. Press down on the top and bottom.



6 You've done it!

Now fill it with all your cool stuff