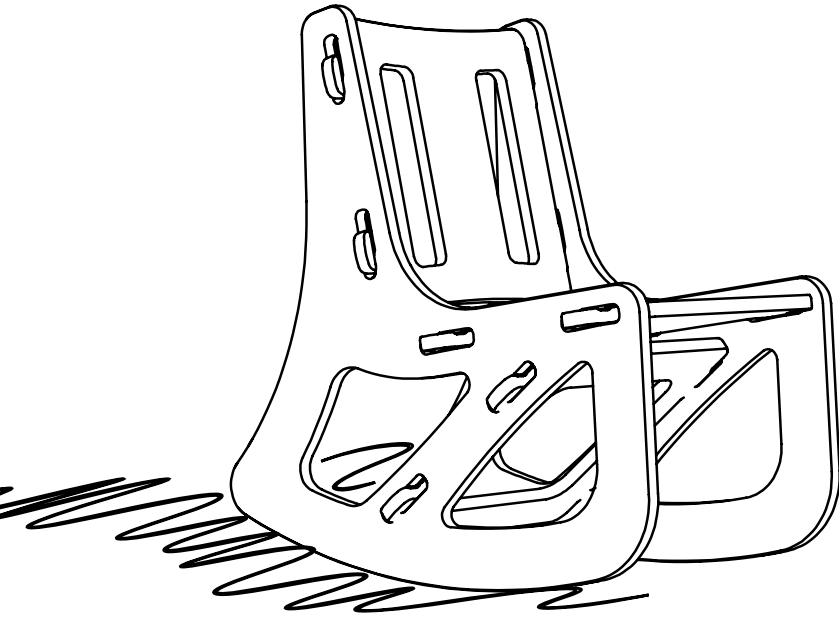




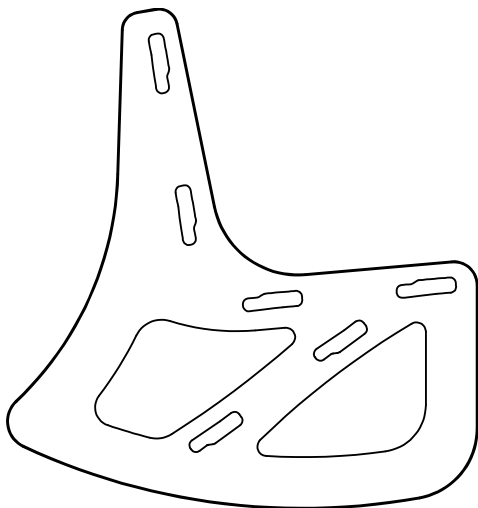
Kids Rocker Assembly Guide

Product Code: KR001

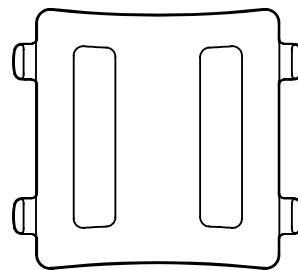


Made in the USA

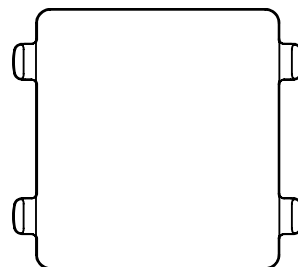
Visit www.sprout-kids.com/mysprout to register your product, and be the first to hear about new colors, styles, and products from Sprout.



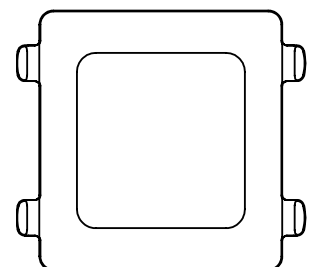
(2) Rocker Sides



(1) Rocker Back



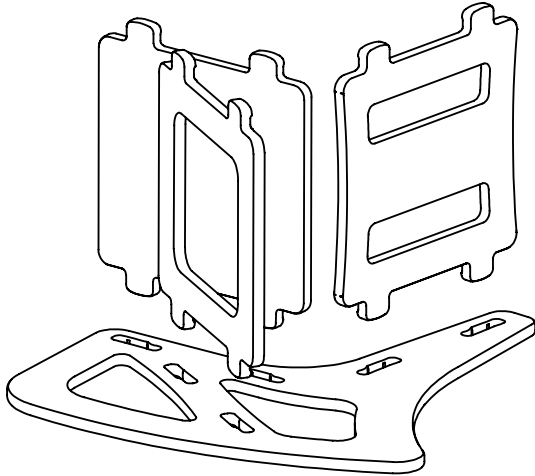
(1) Seat



(1) Brace

1

Lay one rocker side on the ground. Place the brace, seat, and back in place.

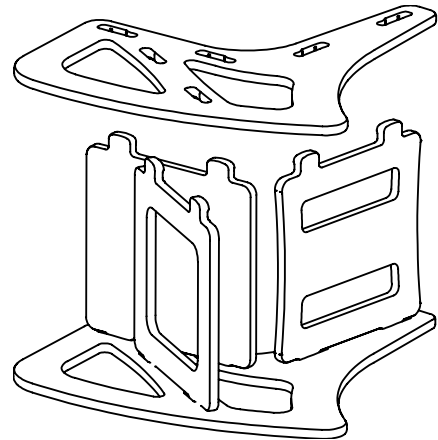


Scan the code or go to www.sprout-kids.com/rocker-assembly for video instructions



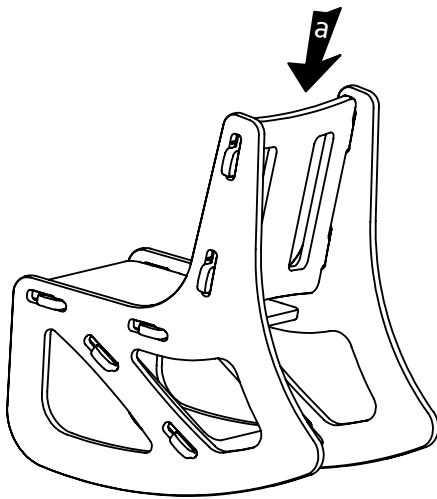
2

Place the other side in place.



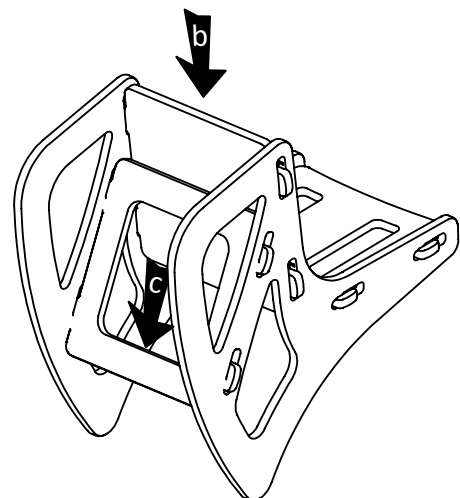
3

Stand the rocker upright. Push down on the chair back to set it in place.



4

Tilt the rocker back and press the seat and brace in place.



5

Rock Out!

(to take the rocker apart, just flip it over and push down on the seat, brace, and back to release them)