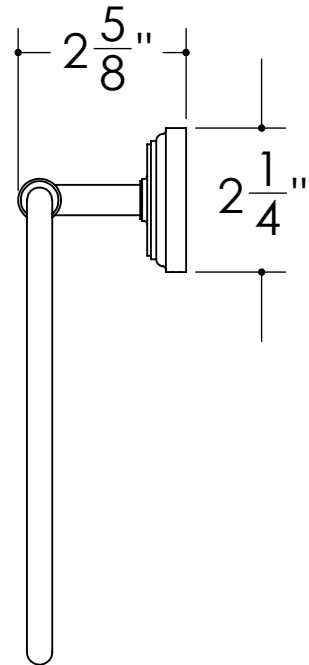
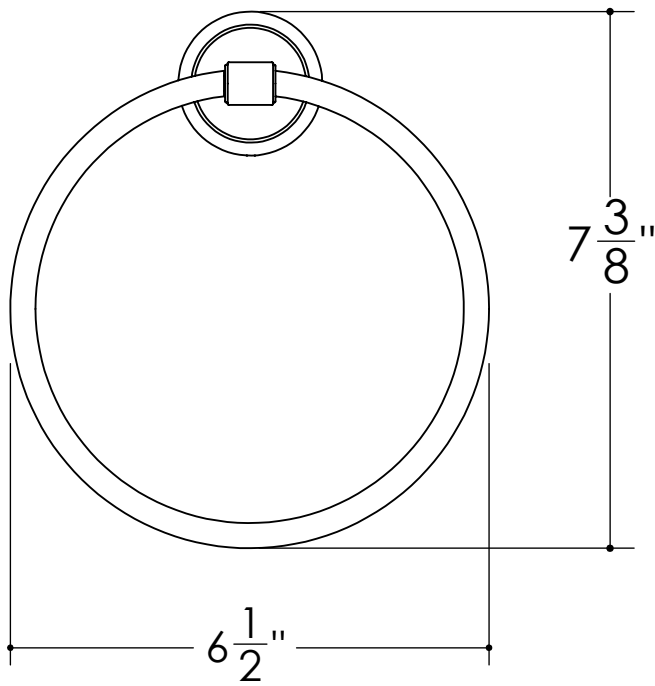
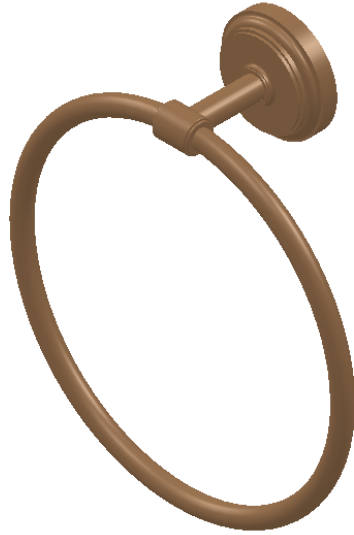


TOWEL RING



CUTSHEET

DIMENSIONS ARE IN INCHES/MM TOLERANCES: ANGULAR: MACH ±.5 BEND ± ONE PLACE DECIMAL ±.5 TWO PLACE DECIMAL ±.05	DRAWN KJ	DATE 06/30/09	HAMILTON SINKLER 31 E 32nd ST, NEW YORK, NY 10016 T: (212) 760-3377 F: (212) 760-3362	
	CHECKED		TOWEL RING	
	COMMENTS: No Sharp Edges			
	MATERIAL TBD.			SIZE A
FINISH Ref. P.O.	DO NOT SCALE DRAWING		SCALE: 1:5	WEIGHT:
			REV. 0	SHEET 1 OF 2