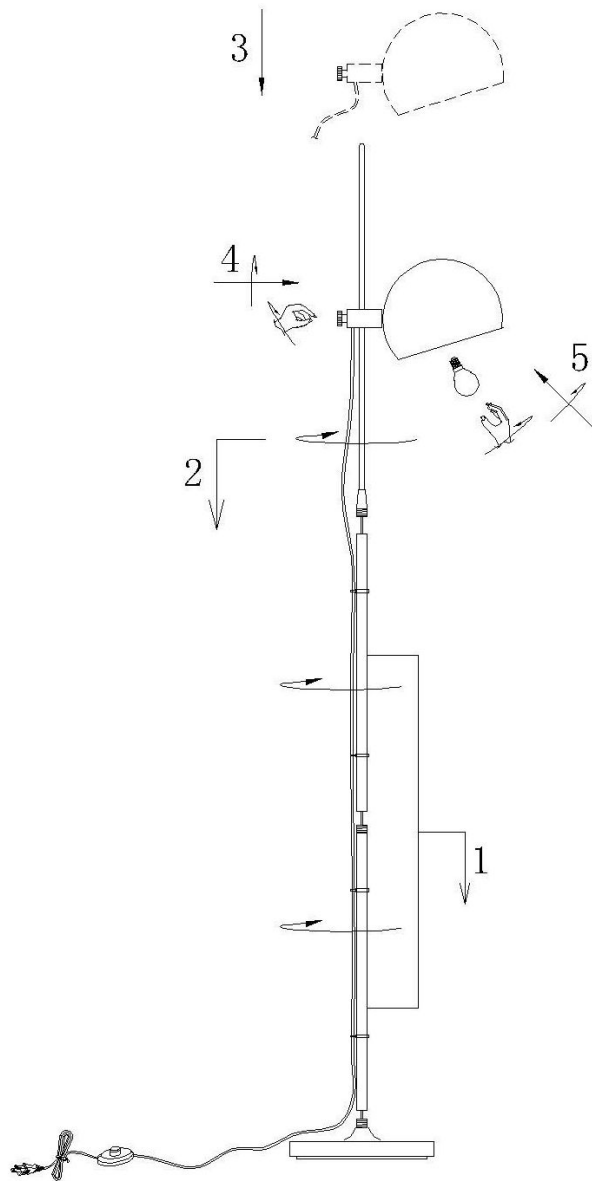


50012 , Astro Floor Lamp



Assembly Instruction:

1. Before assembly, to ensure to turn off the main.
2. Please use 1*E26, Max. 60W bulb for this lamp.
3. Do not use the hard and sharp items to touch the shade to avoid scratches.
4. Do not let the children to reach the electric parts of this lamp for their own safe.

If the external wire or cable of this lamp is damaged, it should be exclusively replaced by the manufacturer or service agent or a similar qualified person in order to avoid a hazard.