



OM-223

166 538AW

2010-11

**Processes**



MIG (GMAW) Welding



Flux Cored Arc Welding



Submerged Arc Welding  
(452/652 Only)



Air Carbon Arc Cutting  
and Gouging (452/652 Only)

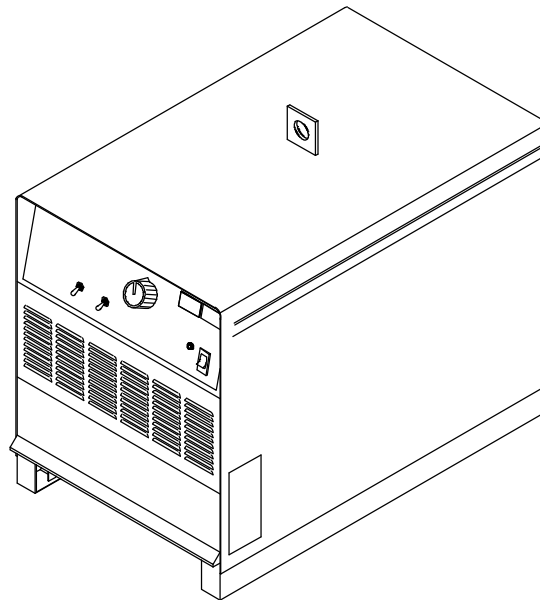
**Description**



Arc Welding Power Source

# Deltaweld<sup>®</sup> Series

## CE and non-CE



302, 452, 652 (60 Hz), 402, 602, 852 (50 Hz)

# OWNER'S MANUAL



Visit our website at  
[www.MillerWelds.com](http://www.MillerWelds.com)

File: MIG (GMAW)



# From Miller to You

---

*Thank you and congratulations* on choosing Miller. Now you can get the job done and get it done right. We know you don't have time to do it any other way.

That's why when Niels Miller first started building arc welders in 1929, he made sure his products offered long-lasting value and superior quality. Like you, his customers couldn't afford anything less. Miller products had to be more than the best they could be. They had to be the best you could buy.

Today, the people that build and sell Miller products continue the tradition. They're just as committed to providing equipment and service that meets the high standards of quality and value established in 1929.

This Owner's Manual is designed to help you get the most out of your Miller products. Please take time to read the Safety precautions. They will help you protect yourself against potential hazards on the worksite.

We've made installation and operation quick and easy. With Miller you can count on years of reliable service with proper maintenance. And if for some reason the unit needs repair, there's a Troubleshooting section that will help you figure out what the problem is. The parts list will then help you to decide the exact part you may need to fix the problem. Warranty and service information for your particular model are also provided.



Miller is the first welding equipment manufacturer in the U.S.A. to be registered to the ISO 9001 Quality System Standard.

Miller Electric manufactures a full line of welders and welding related equipment. For information on other quality Miller products, contact your local Miller distributor to receive the latest full line catalog or individual specification sheets. **To locate your nearest distributor or service agency call 1-800-4-A-Miller, or visit us at [www.MillerWelds.com](http://www.MillerWelds.com) on the web.**



Working as hard as you do – every power source from Miller is backed by the most hassle-free warranty in the business.



# TABLE OF CONTENTS

<b>SECTION 1 – SAFETY PRECAUTIONS - READ BEFORE USING</b> .....	<b>1</b>
1-1. Symbol Usage .....	1
1-2. Arc Welding Hazards .....	1
1-3. Additional Symbols For Installation, Operation, And Maintenance .....	3
1-4. California Proposition 65 Warnings .....	4
1-5. Principal Safety Standards .....	4
1-6. EMF Information .....	4
<b>SECTION 2 – CONSIGNES DE SÉCURITÉ – LIRE AVANT UTILISATION</b> .....	<b>5</b>
2-1. Symboles utilisés .....	5
2-2. Dangers relatifs au soudage à l'arc .....	5
2-3. Dangers supplémentaires en relation avec l'installation, le fonctionnement et la maintenance .....	7
2-4. Proposition californienne 65 Avertissements .....	8
2-5. Principales normes de sécurité .....	9
2-6. Informations relatives aux CEM .....	9
<b>SECTION 3 – DEFINITIONS</b> .....	<b>11</b>
3-1. General Precautionary Label .....	11
3-2. Input Connection Label .....	12
3-3. Electric Shock And Airflow Label .....	12
3-4. Nameplate Safety Symbols .....	12
3-5. Symbols And Definitions .....	13
3-6. WEEE Label (For Products Sold Within The EU) .....	13
<b>SECTION 4 – INSTALLATION</b> .....	<b>14</b>
4-1. Important Information Regarding CE Products (Sold Within The EU) .....	14
4-2. Serial Number And Rating Label Location .....	14
4-3. Specifications .....	14
4-4. Duty Cycle And Overheating .....	15
4-5. Volt-Ampere Curves .....	15
4-6. Selecting A Location .....	16
4-7. Dimensions And Weights .....	17
4-8. Tipping .....	17
4-9. 115 VAC Receptacle And Supplementary Protectors .....	18
4-10. Weld Output Terminals .....	18
4-11. Weld Output Terminals And Selecting Cable Sizes* .....	19
4-12. Connecting Weld Output Cables .....	20
4-13. Remote 14 Receptacle RC8 .....	20
4-14. Remote 14 Receptacle RC8 Information .....	21
4-15. Electrical Service Guide .....	22
4-16. Placing Jumper Links .....	23
4-17. Connecting Input Power .....	24
<b>SECTION 5 – OPERATION</b> .....	<b>25</b>
5-1. Controls (Non CE Models) .....	25
5-2. Controls (CE Models) .....	25
<b>SECTION 6 – MAINTENANCE &amp; TROUBLESHOOTING</b> .....	<b>26</b>
6-1. Routine Maintenance .....	26
6-2. Fuse F1 .....	26
6-3. Short Circuit Shutdown .....	26
6-4. Troubleshooting Table .....	27
<b>SECTION 7 – ELECTRICAL DIAGRAM</b> .....	<b>28</b>
<b>SECTION 8 – PARTS LIST</b> .....	<b>30</b>
<b>OPTIONS AND ACCESSORIES</b>	
<b>WARRANTY</b>	



# DECLARATION OF CONFORMITY

for European Community (CE marked) products.

**MILLER Electric Mfg. Co., 1635 Spencer Street, Appleton, WI 54914 U.S.A. declares that the product(s) identified in this declaration conform to the essential requirements and provisions of the stated Council Directive(s) and Standard(s).**

Product/Apparatus Identification:

Product	Stock Number
Deltaweld 402	907357
Deltaweld 602	907358
Deltaweld 852	907359

Council Directives:

- 2006/95/EC Low Voltage
- 2004/108/EC Electromagnetic Compatibility

Standards:

- IEC 60974-1: 2005 Arc Welding Equipment – Welding Power Sources
- IEC 60974-10: 2007 Arc Welding Equipment Electromagnetic Compatibility Requirements
- EN 50445 Product family standard to demonstrate compliance of equipment for resistance welding, arc welding and allied processes with the basic restrictions related to human exposure to electromagnetic fields (0 Hz – 300Hz) BS EN 50445:2008.

Signatory:

November 24, 2010

---

**David A. Werba**

MANAGER, PRODUCT DESIGN COMPLIANCE

---

Date of Declaration

# SECTION 1 – SAFETY PRECAUTIONS - READ BEFORE USING

som\_2010-03

 Protect yourself and others from injury — read and follow these precautions.

## 1-1. Symbol Usage



**DANGER!** – Indicates a hazardous situation which, if not avoided, will result in death or serious injury. The possible hazards are shown in the adjoining symbols or explained in the text.



Indicates a hazardous situation which, if not avoided, could result in death or serious injury. The possible hazards are shown in the adjoining symbols or explained in the text.

**NOTICE** – Indicates statements not related to personal injury.

## 1-2. Arc Welding Hazards



The symbols shown below are used throughout this manual to call attention to and identify possible hazards. When you see the symbol, watch out, and follow the related instructions to avoid the hazard. The safety information given below is only a summary of the more complete safety information found in the Safety Standards listed in Section 1-5. Read and follow all Safety Standards.



Only qualified persons should install, operate, maintain, and repair this unit.



During operation, keep everybody, especially children, away.



### ELECTRIC SHOCK can kill.

Touching live electrical parts can cause fatal shocks or severe burns. The electrode and work circuit is electrically live whenever the output is on. The input power circuit and machine internal circuits are also live when power is on. In semiautomatic or automatic wire welding, the wire, wire reel, drive roll housing, and all metal parts touching the welding wire are electrically live. Incorrectly installed or improperly grounded equipment is a hazard.

- Do not touch live electrical parts.

- Wear dry, hole-free insulating gloves and body protection.
- Insulate yourself from work and ground using dry insulating mats or covers big enough to prevent any physical contact with the work or ground.
- Do not use AC output in damp areas, if movement is confined, or if there is a danger of falling.
- Use AC output ONLY if required for the welding process.
- If AC output is required, use remote output control if present on unit.
- Additional safety precautions are required when any of the following electrically hazardous conditions are present: in damp locations or while wearing wet clothing; on metal structures such as floors, gratings, or scaffolds; when in cramped positions such as sitting, kneeling, or lying; or when there is a high risk of unavoidable or accidental contact with the workpiece or ground. For these conditions, use the following equipment in order presented: 1) a semiautomatic DC constant voltage (wire) welder, 2) a DC manual (stick) welder, or 3) an AC welder with reduced open-circuit voltage. In most situations, use of a DC, constant voltage wire welder is recommended. And, do not work alone!
- Disconnect input power or stop engine before installing or servicing this equipment. Lockout/tagout input power according to OSHA 29 CFR 1910.147 (see Safety Standards).
- Properly install and ground this equipment according to its Owner's Manual and national, state, and local codes.
- Always verify the supply ground – check and be sure that input power cord ground wire is properly connected to ground terminal in

 Indicates special instructions.



This group of symbols means Warning! Watch Out! ELECTRIC SHOCK, MOVING PARTS, and HOT PARTS hazards. Consult symbols and related instructions below for necessary actions to avoid the hazards.

disconnect box or that cord plug is connected to a properly grounded receptacle outlet.

- When making input connections, attach proper grounding conductor first – double-check connections.
- Keep cords dry, free of oil and grease, and protected from hot metal and sparks.
- Frequently inspect input power cord for damage or bare wiring – replace cord immediately if damaged – bare wiring can kill.
- Turn off all equipment when not in use.
- Do not use worn, damaged, undersized, or poorly spliced cables.
- Do not drape cables over your body.
- If earth grounding of the workpiece is required, ground it directly with a separate cable.
- Do not touch electrode if you are in contact with the work, ground, or another electrode from a different machine.
- Do not touch electrode holders connected to two welding machines at the same time since double open-circuit voltage will be present.
- Use only well-maintained equipment. Repair or replace damaged parts at once. Maintain unit according to manual.
- Wear a safety harness if working above floor level.
- Keep all panels and covers securely in place.
- Clamp work cable with good metal-to-metal contact to workpiece or worktable as near the weld as practical.
- Insulate work clamp when not connected to workpiece to prevent contact with any metal object.
- Do not connect more than one electrode or work cable to any single weld output terminal.

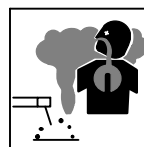
### SIGNIFICANT DC VOLTAGE exists in inverter welding power sources AFTER removal of input power.

- Turn Off inverter, disconnect input power, and discharge input capacitors according to instructions in Maintenance Section before touching any parts.



### HOT PARTS can burn.

- Do not touch hot parts bare handed.
- Allow cooling period before working on equipment.
- To handle hot parts, use proper tools and/or wear heavy, insulated welding gloves and clothing to prevent burns.



### FUMES AND GASES can be hazardous.

Welding produces fumes and gases. Breathing these fumes and gases can be hazardous to your health.

- Keep your head out of the fumes. Do not breathe the fumes.
- If inside, ventilate the area and/or use local forced ventilation at the arc to remove welding fumes and gases.
- If ventilation is poor, wear an approved air-supplied respirator.
- Read and understand the Material Safety Data Sheets (MSDSs) and the manufacturer's instructions for metals, consumables, coatings, cleaners, and degreasers.
- Work in a confined space only if it is well ventilated, or while wearing an air-supplied respirator. Always have a trained watch-person nearby. Welding fumes and gases can displace air and lower the oxygen level causing injury or death. Be sure the breathing air is safe.
- Do not weld in locations near degreasing, cleaning, or spraying operations. The heat and rays of the arc can react with vapors to form highly toxic and irritating gases.
- Do not weld on coated metals, such as galvanized, lead, or cadmium plated steel, unless the coating is removed from the weld area, the area is well ventilated, and while wearing an air-supplied respirator. The coatings and any metals containing these elements can give off toxic fumes if welded.



### ARC RAYS can burn eyes and skin.

Arc rays from the welding process produce intense visible and invisible (ultraviolet and infrared) rays that can burn eyes and skin. Sparks fly off from the weld.

- Wear an approved welding helmet fitted with a proper shade of filter lenses to protect your face and eyes from arc rays and sparks when welding or watching (see ANSI Z49.1 and Z87.1 listed in Safety Standards).
- Wear approved safety glasses with side shields under your helmet.
- Use protective screens or barriers to protect others from flash, glare and sparks; warn others not to watch the arc.
- Wear protective clothing made from durable, flame-resistant material (leather, heavy cotton, or wool) and foot protection.

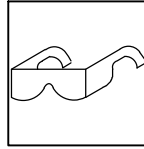


### WELDING can cause fire or explosion.

Welding on closed containers, such as tanks, drums, or pipes, can cause them to blow up. Sparks can fly off from the welding arc. The flying sparks, hot workpiece, and hot equipment can cause fires and burns. Accidental contact of electrode to metal objects can cause sparks, explosion, overheating, or fire. Check and be sure the area is safe before doing any welding.

- Remove all flammables within 35 ft (10.7 m) of the welding arc. If this is not possible, tightly cover them with approved covers.
- Do not weld where flying sparks can strike flammable material.
- Protect yourself and others from flying sparks and hot metal.
- Be alert that welding sparks and hot materials from welding can easily go through small cracks and openings to adjacent areas.
- Watch for fire, and keep a fire extinguisher nearby.
- Be aware that welding on a ceiling, floor, bulkhead, or partition can cause fire on the hidden side.
- Do not weld on closed containers such as tanks, drums, or pipes, unless they are properly prepared according to AWS F4.1 (see Safety Standards).
- Do not weld where the atmosphere may contain flammable dust, gas, or liquid vapors (such as gasoline).
- Connect work cable to the work as close to the welding area as practical to prevent welding current from traveling long, possibly unknown paths and causing electric shock, sparks, and fire hazards.
- Do not use welder to thaw frozen pipes.
- Remove stick electrode from holder or cut off welding wire at contact tip when not in use.

- Wear oil-free protective garments such as leather gloves, heavy shirt, cuffless trousers, high shoes, and a cap.
- Remove any combustibles, such as a butane lighter or matches, from your person before doing any welding.
- After completion of work, inspect area to ensure it is free of sparks, glowing embers, and flames.
- Use only correct fuses or circuit breakers. Do not oversize or bypass them.
- Follow requirements in OSHA 1910.252 (a) (2) (iv) and NFPA 51B for hot work and have a fire watcher and extinguisher nearby.



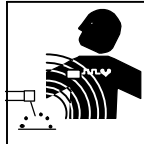
### FLYING METAL or DIRT can injure eyes.

- Welding, chipping, wire brushing, and grinding cause sparks and flying metal. As welds cool, they can throw off slag.
- Wear approved safety glasses with side shields even under your welding helmet.



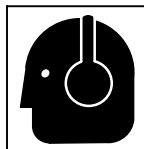
### BUILDUP OF GAS can injure or kill.

- Shut off shielding gas supply when not in use.
- Always ventilate confined spaces or use approved air-supplied respirator.



### ELECTRIC AND MAGNETIC FIELDS (EMF) can affect Implanted Medical Devices.

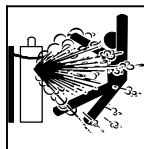
- Wearers of Pacemakers and other Implanted Medical Devices should keep away.
- Implanted Medical Device wearers should consult their doctor and the device manufacturer before going near arc welding, spot welding, gouging, plasma arc cutting, or induction heating operations.



### NOISE can damage hearing.

Noise from some processes or equipment can damage hearing.

- Wear approved ear protection if noise level is high.



### CYLINDERS can explode if damaged.

Shielding gas cylinders contain gas under high pressure. If damaged, a cylinder can explode. Since gas cylinders are normally part of the welding process, be sure to treat them carefully.

- Protect compressed gas cylinders from excessive heat, mechanical shocks, physical damage, slag, open flames, sparks, and arcs.
- Install cylinders in an upright position by securing to a stationary support or cylinder rack to prevent falling or tipping.
- Keep cylinders away from any welding or other electrical circuits.
- Never drape a welding torch over a gas cylinder.
- Never allow a welding electrode to touch any cylinder.
- Never weld on a pressurized cylinder – explosion will result.
- Use only correct shielding gas cylinders, regulators, hoses, and fittings designed for the specific application; maintain them and associated parts in good condition.
- Turn face away from valve outlet when opening cylinder valve.
- Keep protective cap in place over valve except when cylinder is in use or connected for use.
- Use the right equipment, correct procedures, and sufficient number of persons to lift and move cylinders.
- Read and follow instructions on compressed gas cylinders, associated equipment, and Compressed Gas Association (CGA) publication P-1 listed in Safety Standards.

## 1-3. Additional Symbols For Installation, Operation, And Maintenance



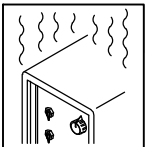
### FIRE OR EXPLOSION hazard.

- Do not install or place unit on, over, or near combustible surfaces.
- Do not install unit near flammables.
- Do not overload building wiring – be sure power supply system is properly sized, rated, and protected to handle this unit.



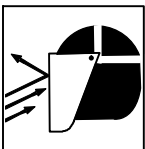
### FALLING EQUIPMENT can injure.

- Use lifting eye to lift unit only, NOT running gear, gas cylinders, or any other accessories.
- Use equipment of adequate capacity to lift and support unit.
- If using lift forks to move unit, be sure forks are long enough to extend beyond opposite side of unit.
- Keep equipment (cables and cords) away from moving vehicles when working from an aerial location.
- Follow the guidelines in the Applications Manual for the Revised NIOSH Lifting Equation (Publication No. 94-110) when manually lifting heavy parts or equipment.



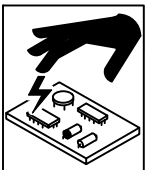
### OVERUSE can cause OVERHEATING

- Allow cooling period; follow rated duty cycle.
- Reduce current or reduce duty cycle before starting to weld again.
- Do not block or filter airflow to unit.



### FLYING SPARKS can injure.

- Wear a face shield to protect eyes and face.
- Shape tungsten electrode only on grinder with proper guards in a safe location wearing proper face, hand, and body protection.
- Sparks can cause fires — keep flammables away.



### STATIC (ESD) can damage PC boards.

- Put on grounded wrist strap BEFORE handling boards or parts.
- Use proper static-proof bags and boxes to store, move, or ship PC boards.



### MOVING PARTS can injure.

- Keep away from moving parts.
- Keep away from pinch points such as drive rolls.



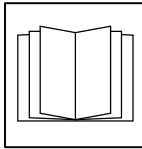
### WELDING WIRE can injure.

- Do not press gun trigger until instructed to do so.
- Do not point gun toward any part of the body, other people, or any metal when threading welding wire.



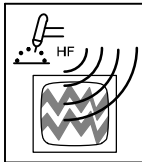
### MOVING PARTS can injure.

- Keep away from moving parts such as fans.
- Keep all doors, panels, covers, and guards closed and securely in place.
- Have only qualified persons remove doors, panels, covers, or guards for maintenance and troubleshooting as necessary.
- Reinstall doors, panels, covers, or guards when maintenance is finished and before reconnecting input power.



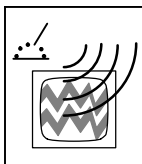
### READ INSTRUCTIONS.

- Read and follow all labels and the Owner's Manual carefully before installing, operating, or servicing unit. Read the safety information at the beginning of the manual and in each section.
- Use only genuine replacement parts from the manufacturer.
- Perform maintenance and service according to the Owner's Manuals, industry standards, and national, state, and local codes.



### H.F. RADIATION can cause interference.




- High-frequency (H.F.) can interfere with radio navigation, safety services, computers, and communications equipment.
- Have only qualified persons familiar with electronic equipment perform this installation.
- The user is responsible for having a qualified electrician promptly correct any interference problem resulting from the installation.
- If notified by the FCC about interference, stop using the equipment at once.
- Have the installation regularly checked and maintained.
- Keep high-frequency source doors and panels tightly shut, keep spark gaps at correct setting, and use grounding and shielding to minimize the possibility of interference.




### ARC WELDING can cause interference.

- Electromagnetic energy can interfere with sensitive electronic equipment such as computers and computer-driven equipment such as robots.
- Be sure all equipment in the welding area is electromagnetically compatible.
- To reduce possible interference, keep weld cables as short as possible, close together, and down low, such as on the floor.
- Locate welding operation 100 meters from any sensitive electronic equipment.
- Be sure this welding machine is installed and grounded according to this manual.
- If interference still occurs, the user must take extra measures such as moving the welding machine, using shielded cables, using line filters, or shielding the work area.


## 1-4. California Proposition 65 Warnings

-  **Welding or cutting equipment produces fumes or gases which contain chemicals known to the State of California to cause birth defects and, in some cases, cancer. (California Health & Safety Code Section 25249.5 et seq.)**
-  **Battery posts, terminals and related accessories contain lead and lead compounds, chemicals known to the State of California to cause cancer and birth defects or other reproductive harm. *Wash hands after handling.***
-  **This product contains chemicals, including lead, known to the state of California to cause cancer, birth defects, or other reproductive harm. *Wash hands after use.***

### For Gasoline Engines:

-  **Engine exhaust contains chemicals known to the State of California to cause cancer, birth defects, or other reproductive harm.**

### For Diesel Engines:

-  **Diesel engine exhaust and some of its constituents are known to the State of California to cause cancer, birth defects, and other reproductive harm.**

## 1-5. Principal Safety Standards

*Safety in Welding, Cutting, and Allied Processes*, ANSI Standard Z49.1, from Global Engineering Documents (phone: 1-877-413-5184, website: www.global.ihs.com).

*Safe Practices for the Preparation of Containers and Piping for Welding and Cutting*, American Welding Society Standard AWS F4.1, from Global Engineering Documents (phone: 1-877-413-5184, website: www.global.ihs.com).

*National Electrical Code*, NFPA Standard 70, from National Fire Protection Association, Quincy, MA 02269 (phone: 1-800-344-3555, website: www.nfpa.org and www.sparky.org).

*Safe Handling of Compressed Gases in Cylinders*, CGA Pamphlet P-1, from Compressed Gas Association, 4221 Walney Road, 5th Floor, Chantilly, VA 20151 (phone: 703-788-2700, website: www.cganet.com).

*Safety in Welding, Cutting, and Allied Processes*, CSA Standard W117.2, from Canadian Standards Association, Standards Sales, 5060 Spectrum Way, Suite 100, Ontario, Canada L4W 5NS (phone: 800-463-6727, website: www.csa-international.org).

*Safe Practice For Occupational And Educational Eye And Face Protection*, ANSI Standard Z87.1, from American National Standards Institute,

25 West 43rd Street, New York, NY 10036 (phone: 212-642-4900, website: www.ansi.org).

*Standard for Fire Prevention During Welding, Cutting, and Other Hot Work*, NFPA Standard 51B, from National Fire Protection Association, Quincy, MA 02269 (phone: 1-800-344-3555, website: www.nfpa.org).

OSHA, Occupational Safety and Health Standards for General Industry, Title 29, Code of Federal Regulations (CFR), Part 1910, Subpart Q, and Part 1926, Subpart J, from U.S. Government Printing Office, Superintendent of Documents, P.O. Box 371954, Pittsburgh, PA 15250-7954 (phone: 1-866-512-1800) (there are 10 OSHA Regional Offices—phone for Region 5, Chicago, is 312-353-2220, website: www.osha.gov).

U.S. Consumer Product Safety Commission (CPSC), 4330 East West Highway, Bethesda, MD 20814 (phone: 301-504-7923, website: www.cpsc.gov).

*Applications Manual for the Revised NIOSH Lifting Equation*, The National Institute for Occupational Safety and Health (NIOSH), 1600 Clifton Rd, Atlanta, GA 30333 (phone: 1-800-232-4636, website: www.cdc.gov/NIOSH).

## 1-6. EMF Information

Electric current flowing through any conductor causes localized electric and magnetic fields (EMF). Welding current creates an EMF field around the welding circuit and welding equipment. EMF fields may interfere with some medical implants, e.g. pacemakers. Protective measures for persons wearing medical implants have to be taken. For example, access restrictions for passers-by or individual risk assessment for welders. All welders should use the following procedures in order to minimize exposure to EMF fields from the welding circuit:

1. Keep cables close together by twisting or taping them, or using a cable cover.
2. Do not place your body between welding cables. Arrange cables to one side and away from the operator.
3. Do not coil or drape cables around your body.

4. Keep head and trunk as far away from the equipment in the welding circuit as possible.
5. Connect work clamp to workpiece as close to the weld as possible.
6. Do not work next to, sit or lean on the welding power source.
7. Do not weld whilst carrying the welding power source or wire feeder.

### About Implanted Medical Devices:

Implanted Medical Device wearers should consult their doctor and the device manufacturer before performing or going near arc welding, spot welding, gouging, plasma arc cutting, or induction heating operations. If cleared by your doctor, then following the above procedures is recommended.



# SECTION 2 – CONSIGNES DE SÉCURITÉ – LIRE AVANT UTILISATION

fre\_som\_2010-03

**!** Se protéger et protéger les autres contre le risque de blessure — lire et respecter ces consignes.

## 2-1. Symboles utilisés



**DANGER!** – Indique une situation dangereuse qui si on l'évite pas peut donner la mort ou des blessures graves. Les dangers possibles sont montrés par les symboles joints ou sont expliqués dans le texte.



Indique une situation dangereuse qui si on l'évite pas peut donner la mort ou des blessures graves. Les dangers possibles sont montrés par les symboles joints ou sont expliqués dans le texte.

**NOTE** – Indique des déclarations pas en relation avec des blessures personnelles.

 Indique des instructions spécifiques.



Ce groupe de symboles veut dire Avertissement! Attention! DANGER DE CHOC ELECTRIQUE, PIECES EN MOUVEMENT, et PIECES CHAUDES. Consulter les symboles et les instructions ci-dessous y afférant pour les actions nécessaires afin d'éviter le danger.

## 2-2. Dangers relatifs au soudage à l'arc



Les symboles représentés ci-dessous sont utilisés dans ce manuel pour attirer l'attention et identifier les dangers possibles. En présence de l'un de ces symboles, prendre garde et suivre les instructions afférentes pour éviter tout risque. Les instructions en matière de sécurité indiquées ci-dessous ne constituent qu'un sommaire des instructions de sécurité plus complètes fournies dans les normes de sécurité énumérées dans la Section 2-5. Lire et observer toutes les normes de sécurité.



Seul un personnel qualifié est autorisé à installer, faire fonctionner, entretenir et réparer cet appareil.



Pendant le fonctionnement, maintenir à distance toutes les personnes, notamment les enfants de l'appareil.



### UNE DÉCHARGE ÉLECTRIQUE peut entraîner la mort.

Le contact d'organes électriques sous tension peut provoquer des accidents mortels ou des brûlures graves. Le circuit de l'électrode et de la pièce est sous tension lorsque le courant est délivré à la sortie. Le circuit d'alimentation et les circuits internes de la machine sont également sous tension lorsque l'alimentation est sur Marche. Dans le mode de soudage avec du fil, le fil, le dérouleur, le bloc de commande du rouleau et toutes les parties métalliques en contact avec le fil sont sous tension électrique. Un équipement installé ou mis à la terre de manière incorrecte ou impropre constitue un danger.

- Ne pas toucher aux pièces électriques sous tension.
  - Porter des gants isolants et des vêtements de protection secs et sans trous.
  - S'isoler de la pièce à couper et du sol en utilisant des housses ou des tapis assez grands afin d'éviter tout contact physique avec la pièce à couper ou le sol.
  - Ne pas se servir de source électrique à courant électrique dans les zones humides, dans les endroits confinés ou là où on risque de tomber.
  - Se servir d'une source électrique à courant électrique UNIQUEMENT si le procédé de soudage le demande.
  - Si l'utilisation d'une source électrique à courant électrique s'avère nécessaire, se servir de la fonction de télécommande si l'appareil en est équipé.
  - D'autres consignes de sécurité sont nécessaires dans les conditions suivantes : risques électriques dans un environnement humide ou si l'on porte des vêtements mouillés ; sur des structures métalliques telles que sols, grilles ou échafaudages ; en position coincée comme assise, à genoux ou couchée ; ou s'il y a un risque élevé de contact inévitable ou accidentel avec la pièce à souder ou le sol. Dans ces conditions, utiliser les équipements suivants,
- dans l'ordre indiqué : 1) un poste à souder DC à tension constante (à fil), 2) un poste à souder DC manuel (électrode) ou 3) un poste à souder AC à tension à vide réduite. Dans la plupart des situations, l'utilisation d'un poste à souder DC à fil à tension constante est recommandée. En outre, ne pas travailler seul !
- Couper l'alimentation ou arrêter le moteur avant de procéder à l'installation, à la réparation ou à l'entretien de l'appareil. Déverrouiller l'alimentation selon la norme OSHA 29 CFR 1910.147 (voir normes de sécurité).
  - Installer le poste correctement et le mettre à la terre convenablement selon les consignes du manuel de l'opérateur et les normes nationales, provinciales et locales.
  - Toujours vérifier la terre du cordon d'alimentation. Vérifier et s'assurer que le fil de terre du cordon d'alimentation est bien raccordé à la borne de terre du sectionneur ou que la fiche du cordon est raccordée à une prise correctement mise à la terre.
  - En effectuant les raccordements d'entrée, fixer d'abord le conducteur de mise à la terre approprié et contre-vérifier les connexions.
  - Les câbles doivent être exempts d'humidité, d'huile et de graisse; protégez-les contre les étincelles et les pièces métalliques chaudes.
  - Vérifier fréquemment le cordon d'alimentation afin de s'assurer qu'il n'est pas altéré ou à nu, le remplacer immédiatement s'il l'est. Un fil à nu peut entraîner la mort.
  - L'équipement doit être hors tension lorsqu'il n'est pas utilisé.
  - Ne pas utiliser des câbles usés, endommagés, de grosseur insuffisante ou mal épissés.
  - Ne pas enrouler les câbles autour du corps.
  - Si la pièce soudée doit être mise à la terre, le faire directement avec un câble distinct.
  - Ne pas toucher l'électrode quand on est en contact avec la pièce, la terre ou une électrode provenant d'une autre machine.
  - Ne pas toucher des porte électrodes connectés à deux machines en même temps à cause de la présence d'une tension à vide doublée.
  - N'utiliser qu'un matériel en bon état. Réparer ou remplacer sur-le-champ les pièces endommagées. Entretenir l'appareil conformément à ce manuel.
  - Porter un harnais de sécurité si l'on doit travailler au-dessus du sol.
  - S'assurer que tous les panneaux et couvercles sont correctement en place.
  - Fixer le câble de retour de façon à obtenir un bon contact métal-métal avec la pièce à souder ou la table de travail, le plus près possible de la soudure.
  - Isoler la pince de masse quand pas mis à la pièce pour éviter le contact avec tout objet métallique.
  - Ne pas raccorder plus d'une électrode ou plus d'un câble de masse à une même borne de sortie de soudage.

## Il reste une TENSION DC NON NÉGLIGEABLE dans les sources de soudage onduleur UNE FOIS l'alimentation coupée.

- Arrêter les convertisseurs, débrancher le courant électrique et décharger les condensateurs d'alimentation selon les instructions indiquées dans la partie Entretien avant de toucher les pièces.



### LES PIÈCES CHAUDES peuvent provoquer des brûlures.

- Ne pas toucher à mains nues les parties chaudes.
- Prévoir une période de refroidissement avant de travailler à l'équipement.
- Ne pas toucher aux pièces chaudes, utiliser les outils recommandés et porter des gants de soudage et des vêtements épais pour éviter les brûlures.



### LES FUMÉES ET LES GAZ peuvent être dangereux.

Le soudage génère des fumées et des gaz. Leur inhalation peut être dangereux pour votre santé.

- Eloigner votre tête des fumées. Ne pas respirer les fumées.
- À l'intérieur, ventiler la zone et/ou utiliser une ventilation forcée au niveau de l'arc pour l'évacuation des fumées et des gaz de soudage.
- Si la ventilation est médiocre, porter un respirateur anti-vapeurs approuvé.
- Lire et comprendre les spécifications de sécurité des matériaux (MSDS) et les instructions du fabricant concernant les métaux, les consommables, les revêtements, les nettoyants et les dégraissants.
- Travailler dans un espace fermé seulement s'il est bien ventilé ou en portant un respirateur à alimentation d'air. Demander toujours à un surveillant dûment formé de se tenir à proximité. Des fumées et des gaz de soudage peuvent déplacer l'air et abaisser le niveau d'oxygène provoquant des blessures ou des accidents mortels. S'assurer que l'air de respiration ne présente aucun danger.
- Ne pas souder dans des endroits situés à proximité d'opérations de dégraissage, de nettoyage ou de pulvérisation. La chaleur et les rayons de l'arc peuvent réagir en présence de vapeurs et former des gaz hautement toxiques et irritants.
- Ne pas souder des métaux munis d'un revêtement, tels que l'acier galvanisé, plaqué en plomb ou au cadmium à moins que le revêtement n'ait été enlevé dans la zone de soudure, que l'endroit soit bien ventilé, et en portant un respirateur à alimentation d'air. Les revêtements et tous les métaux renfermant ces éléments peuvent dégager des fumées toxiques en cas de soudage.



### LES RAYONS DE L'ARC peuvent provoquer des brûlures dans les yeux et sur la peau.

Le rayonnement de l'arc du procédé de soudage génère des rayons visibles et invisibles intense (ultraviolets et infrarouges) susceptibles de provoquer des brûlures dans les yeux et sur la peau. Des étincelles sont projetées pendant le soudage.

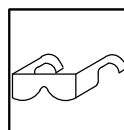
- Porter un casque de soudage approuvé muni de verres filtrants appropriés pour protéger visage et yeux pour protéger votre visage et vos yeux pendant le soudage ou pour regarder (voir ANSI Z49.1 et Z87.1 énuméré dans les normes de sécurité).
- Porter des lunettes de sécurité avec écrans latéraux même sous votre casque.
- Avoir recours à des écrans protecteurs ou à des rideaux pour protéger les autres contre les rayonnements les éblouissements et les étincelles ; prévenir toute personne sur les lieux de ne pas regarder l'arc.
- Porter des vêtements confectionnés avec des matières résistantes et ignifuges (cuir, coton lourd ou laine) et des bottes de protection.



### LE SOUDAGE peut provoquer un incendie ou une explosion.

Le soudage effectué sur des conteneurs fermés tels que des réservoirs, tambours ou des conduites peut provoquer leur éclatement. Des étincelles peuvent être projetées de l'arc de soudure. La projection d'étincelles, des pièces chaudes et des équipements chauds peut provoquer des incendies et des brûlures. Le contact accidentel de l'électrode avec des objets métalliques peut provoquer des étincelles, une explosion, un surchauffement ou un incendie. Avant de commencer le soudage, vérifier et s'assurer que l'endroit ne présente pas de danger.

- Déplacer toutes les substances inflammables à une distance de 10,7 m de l'arc de soudage. En cas d'impossibilité les recouvrir soigneusement avec des protections homologués.
- Ne pas souder dans un endroit où des étincelles peuvent tomber sur des substances inflammables.
- Se protéger et d'autres personnes de la projection d'étincelles et de métal chaud.
- Des étincelles et des matériaux chauds du soudage peuvent facilement passer dans d'autres zones en traversant de petites fissures et des ouvertures.
- Surveiller tout déclenchement d'incendie et tenir un extincteur à proximité.
- Le soudage effectué sur un plafond, plancher, paroi ou séparation peut déclencher un incendie de l'autre côté.
- Ne pas effectuer le soudage sur des conteneurs fermés tels que des réservoirs, tambours, ou conduites, à moins qu'ils n'aient été préparés correctement conformément à AWS F4.1 (voir les normes de sécurité).
- Ne soudez pas si l'air ambiant est chargé de particules, gaz, ou vapeurs inflammables (vapeur d'essence, par exemple).
- Brancher le câble de masse sur la pièce la plus près possible de la zone de soudage pour éviter le transport du courant sur une longue distance par des chemins inconnus éventuels en provoquant des risques d'électrocution, d'étincelles et d'incendie.
- Ne pas utiliser le poste de soudage pour dégeler des conduites gelées.
- En cas de non utilisation, enlever la baguette d'électrode du porte-électrode ou couper le fil à la pointe de contact.
- Porter des vêtements de protection dépourvus d'huile tels que des gants en cuir, une chemise en matériau lourd, des pantalons sans revers, des chaussures hautes et un couvre chef.
- Avant de souder, retirer toute substance combustible de vos poches telles qu'un allumeur au butane ou des allumettes.
- Une fois le travail achevé, assurez-vous qu'il ne reste aucune trace d'étincelles incandescentes ni de flammes.
- Utiliser exclusivement des fusibles ou coupe-circuits appropriés. Ne pas augmenter leur puissance; ne pas les ponter.
- Une fois le travail achevé, assurez-vous qu'il ne reste aucune trace d'étincelles incandescentes ni de flammes.
- Utiliser exclusivement des fusibles ou coupe-circuits appropriés. Ne pas augmenter leur puissance; ne pas les ponter.
- Suivre les recommandations dans OSHA 1910.252(a)(2)(iv) et NFPA 51B pour les travaux à chaud et avoir de la surveillance et un extincteur à proximité.



### DES PIÈCES DE METAL ou DES SALETES peuvent provoquer des blessures dans les yeux.

- Le soudage, l'écaillage, le passage de la pièce à la brosse en fil de fer, et le meulage génèrent des étincelles et des particules métalliques volantes. Pendant la période de refroidissement des soudures, elles risquent de projeter du laitier.
- Porter des lunettes de sécurité avec écrans latéraux ou un écran facial.



### LES ACCUMULATIONS DE GAZ risquent de provoquer des blessures ou même la mort.

- Fermer l'alimentation du gaz protecteur en cas de non-utilisation.
- Veiller toujours à bien aérer les espaces confinés ou se servir d'un respirateur d'adduction d'air homologué.



### Les CHAMPS ÉLECTROMAGNÉTIQUES (CEM) peuvent affecter les implants médicaux.

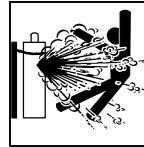
- Les porteurs de stimulateurs cardiaques et autres implants médicaux doivent rester à distance.
- Les porteurs d'implants médicaux doivent consulter leur médecin et le fabricant du dispositif avant de s'approcher de la zone où se déroule du soudage à l'arc, du soudage par points, du gougeage, de la découpe plasma ou une opération de chauffage par induction.



### LE BRUIT peut endommager l'ouïe.

Le bruit des processus et des équipements peut affecter l'ouïe.

- Porter des protections approuvées pour les oreilles si le niveau sonore est trop élevé.



### LES BOUTEILLES peuvent exploser si elles sont endommagées.

Des bouteilles de gaz protecteur contiennent du gaz sous haute pression. Si une bouteille est endommagée, elle peut exploser. Du fait que les bouteilles de gaz font normalement partie du procédé de soudage, les manipuler avec précaution.

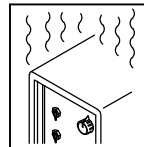
- Protéger les bouteilles de gaz comprimé d'une chaleur excessive, des chocs mécaniques, des dommages physiques, du laitier, des flammes ouvertes, des étincelles et des arcs.
- Placer les bouteilles debout en les fixant dans un support stationnaire ou dans un porte-bouteilles pour les empêcher de tomber ou de se renverser.
- Tenir les bouteilles éloignées des circuits de soudage ou autres circuits électriques.
- Ne jamais placer une torche de soudage sur une bouteille à gaz.
- Une électrode de soudage ne doit jamais entrer en contact avec une bouteille.
- Ne jamais souder une bouteille pressurisée – risque d'explosion.
- Utiliser seulement des bouteilles de gaz protecteur, régulateurs, tuyaux et raccords convenables pour cette application spécifique ; les maintenir ainsi que les éléments associés en bon état.
- Détourner votre visage du détendeur-régulateur lorsque vous ouvrez la soupape de la bouteille.
- Le couvercle du détendeur doit toujours être en place, sauf lorsque la bouteille est utilisée ou qu'elle est reliée pour usage ultérieur.
- Utiliser les équipements corrects, les bonnes procédures et suffisamment de personnes pour soulever et déplacer les bouteilles.
- Lire et suivre les instructions sur les bouteilles de gaz comprimé, l'équipement connexe et le dépliant P-1 de la CGA (Compressed Gas Association) mentionné dans les principales normes de sécurité.

## 2-3. Dangers supplémentaires en relation avec l'installation, le fonctionnement et la maintenance



### Risque D'INCENDIE OU D'EXPLOSION.

- Ne pas placer l'appareil sur, au-dessus ou à proximité de surfaces inflammables.
- Ne pas installer l'appareil à proximité de produits inflammables.
- Ne pas surcharger l'installation électrique – s'assurer que l'alimentation est correctement dimensionnée et protégée avant de mettre l'appareil en service.



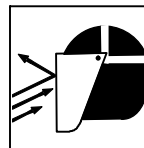
### L'EMPLOI EXCESSIF peut SURCHAUFFER L'ÉQUIPEMENT.

- Prévoir une période de refroidissement ; respecter le cycle opératoire nominal.
- Réduire le courant ou le facteur de marche avant de poursuivre le soudage.
- Ne pas obstruer les passages d'air du poste.



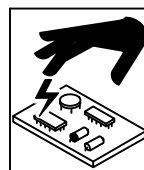
### LA CHUTE DE L'ÉQUIPEMENT peut provoquer des blessures.

- Utiliser l'anneau de levage uniquement pour soulever l'appareil, NON PAS les chariots, les bouteilles de gaz ou tout autre accessoire.
- Utiliser un équipement de levage de capacité suffisante pour lever l'appareil.
- En utilisant des fourches de levage pour déplacer l'unité, s'assurer que les fourches sont suffisamment longues pour dépasser du côté opposé de l'appareil.
- Tenir l'équipement (câbles et cordons) à distance des véhicules mobiles lors de toute opération en hauteur.
- Suivre les consignes du Manuel des applications pour l'équation de levage NIOSH révisée (Publication N°94-110) lors du levage manuel de pièces ou équipements lourds.



### LES ÉTINCELLES PROJÉTÉES peuvent provoquer des blessures.

- Porter un écran facial pour protéger le visage et les yeux.
- Affûter l'électrode au tungstène uniquement à la meuleuse dotée de protecteurs. Cette manœuvre est à exécuter dans un endroit sûr lorsque l'on porte l'équipement homologué de protection du visage, des mains et du corps.
- Les étincelles risquent de causer un incendie – éloigner toute substance inflammable.



### LES CHARGES ÉLECTROSTATIQUES peuvent endommager les circuits imprimés.

- Établir la connexion avec la barrette de terre avant de manipuler des cartes ou des pièces.
- Utiliser des pochettes et des boîtes antistatiques pour stocker, déplacer ou expédier des cartes de circuits imprimés.



### Les PIÈCES MOBILES peuvent causer des blessures.

- Ne pas s'approcher des organes mobiles.
- Ne pas s'approcher des points de coincement tels que des rouleaux de commande.



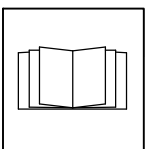
### LES FILS DE SOUDAGE peuvent provoquer des blessures.

- Ne pas appuyer sur la gâchette avant d'en avoir reçu l'instruction.
- Ne pas diriger le pistolet vers soi, d'autres personnes ou toute pièce mécanique en engageant le fil de soudage.



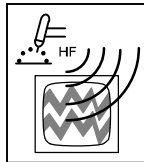
### Les PIÈCES MOBILES peuvent causer des blessures.

- S'abstenir de toucher des organes mobiles tels que des ventilateurs.
- Maintenir fermés et verrouillés les portes, panneaux, recouvrements et dispositifs de protection.
- Lorsque cela est nécessaire pour des travaux d'entretien et de dépannage, faire retirer les portes, panneaux, recouvrements ou dispositifs de protection uniquement par du personnel qualifié.
- Remettre les portes, panneaux, recouvrements ou dispositifs de protection quand l'entretien est terminé et avant de rebrancher l'alimentation électrique.



### LIRE LES INSTRUCTIONS.

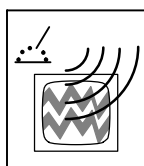
- Lire et appliquer les instructions sur les étiquettes et le Mode d'emploi avant l'installation, l'utilisation ou l'entretien de l'appareil. Lire les informations de sécurité au début du manuel et dans chaque section.
- N'utiliser que les pièces de rechange recommandées par le constructeur.
- Effectuer l'entretien en respectant les manuels d'utilisation, les normes industrielles et les codes nationaux, d'état et locaux.



### LE RAYONNEMENT HAUTE FRÉQUENCE (H.F.) risque de provoquer des interférences.

- Le rayonnement haute fréquence (H.F.) peut provoquer des interférences avec les équipements de radio-navigation et de communication, les services de sécurité et les ordinateurs.

- Demander seulement à des personnes qualifiées familiarisées avec des équipements électroniques de faire fonctionner l'installation.
- L'utilisateur est tenu de faire corriger rapidement par un électricien qualifié les interférences résultant de l'installation.
- Si le FCC signale des interférences, arrêter immédiatement l'appareil.
- Effectuer régulièrement le contrôle et l'entretien de l'installation.
- Maintenir soigneusement fermés les portes et les panneaux des sources de haute fréquence, maintenir les éclateurs à une distance correcte et utiliser une terre et un blindage pour réduire les interférences éventuelles.



### LE SOUDAGE À L'ARC risque de provoquer des interférences.

- L'énergie électromagnétique risque de provoquer des interférences pour l'équipement électronique sensible tel que les ordinateurs et l'équipement commandé par ordinateur tel que les robots.

- Veiller à ce que tout l'équipement de la zone de soudage soit compatible électromagnétiquement.
- Pour réduire la possibilité d'interférence, maintenir les câbles de soudage aussi courts que possible, les grouper, et les poser aussi bas que possible (ex. par terre).
- Veiller à souder à une distance de 100 mètres de tout équipement électronique sensible.
- Veiller à ce que ce poste de soudage soit posé et mis à la terre conformément à ce mode d'emploi.
- En cas d'interférences après avoir pris les mesures précédentes, il incombe à l'utilisateur de prendre des mesures supplémentaires telles que le déplacement du poste, l'utilisation de câbles blindés, l'utilisation de filtres de ligne ou la pose de protecteurs dans la zone de travail.

## 2-4. Proposition californienne 65 Avertissements

**⚠** Les équipements de soudage et de coupage produisent des fumées et des gaz qui contiennent des produits chimiques dont l'État de Californie reconnaît qu'ils provoquent des malformations congénitales et, dans certains cas, des cancers. (Code de santé et de sécurité de Californie, chapitre 25249.5 et suivants)

**⚠** Les batteries, les bornes et autres accessoires contiennent du plomb et des composés à base de plomb, produits chimiques dont l'État de Californie reconnaît qu'ils provoquent des cancers et des malformations congénitales ou autres problèmes de procréation. Se laver les mains après manipulation.

**⚠** Ce produit contient des produits chimiques, notamment du plomb, dont l'État de Californie reconnaît qu'ils provoquent

des cancers, des malformations congénitales ou d'autres problèmes de procréation. *Se laver les mains après utilisation.*

Pour les moteurs à essence :

**⚠** Les gaz d'échappement des moteurs contiennent des produits chimiques dont l'État de Californie reconnaît qu'ils provoquent des cancers et des malformations congénitales ou autres problèmes de procréation.

Pour les moteurs diesel :

**⚠** Les gaz d'échappement des moteurs diesel et certains de leurs composants sont reconnus par l'État de Californie comme provoquant des cancers et des malformations congénitales ou autres problèmes de procréation.

## 2-5. Principales normes de sécurité

*Safety in Welding, Cutting, and Allied Processes*, ANSI Standard Z49.1, de Global Engineering Documents (téléphone : 1-877-413-5184, site Internet : [www.global.ihc.com](http://www.global.ihc.com)).

*Safe Practices for the Preparation of Containers and Piping for Welding and Cutting*, American Welding Society Standard AWS F4.1, de Global Engineering Documents (téléphone : 1-877-413-5184, site internet : [www.global.ihc.com](http://www.global.ihc.com)).

*National Electrical Code*, NFPA Standard 70, de National Fire Protection Association, Quincy, MA 02269 (téléphone : 800-344-3555, site Internet : [www.nfpa.org](http://www.nfpa.org) et [www.sparky.org](http://www.sparky.org)).

*Safe Handling of Compressed Gases in Cylinders*, CGA Pamphlet P-1, de Compressed Gas Association, 4221 Walney Road, 5th Floor, Chantilly, VA 20151 (téléphone : 703-788-2700, site Internet : [www.cganet.com](http://www.cganet.com)).

*Safety in Welding, Cutting, and Allied Processes*, CSA Standard W117.2, de Canadian Standards Association, Standards Sales, 5060 Spectrum Way, Suite 100, Ontario, Canada L4W 5NS (téléphone : 800-463-6727, site internet : [www.csa-international.org](http://www.csa-international.org)).

*Safe Practice For Occupational And Educational Eye And Face Protection*, ANSI Standard Z87.1, de American National Standards Institute,

25 West 43rd Street, New York, NY 10036 (téléphone : 212-642-4900, site Internet : [www.ansi.org](http://www.ansi.org)).

*Standard for Fire Prevention During Welding, Cutting, and Other Hot Work*, NFPA Standard 51B, de National Fire Protection Association, P.O. Box 9101, Quincy, MA 02269-9101 (téléphone : 617-770-3000, site Internet : [www.nfpa.org](http://www.nfpa.org)).

OSHA, Occupational Safety and Health Standards for General Industry, Title 29, Code of Federal Regulations (CFR), Part 1910, Subpart Q, and Part 1926, Subpart J, de U.S. Government Printing Office, Superintendent of Documents, P.O. Box 371954, Pittsburgh, PA 15250-7954 (téléphone : 1-866-512-1800) (il y a 10 bureaux régionaux – le téléphone de la région 5, Chicago, est 312-353-2220, site Internet : [www.osha.gov](http://www.osha.gov)).

U.S. Consumer Product Safety Commission (CPSC), 4330 East West Highway, Bethesda, MD 20814 (téléphone : 301-504-7923, site internet : [www.cpsc.gov](http://www.cpsc.gov)).

*Applications Manual for the Revised NIOSH Lifting Equation*, The National Institute for Occupational Safety and Health (NIOSH), 1600 Clifton Rd, Atlanta, GA 30333 (téléphone : 1-800-232-4636, site internet: [www.cdc.gov/NIOSH](http://www.cdc.gov/NIOSH)).

## 2-6. Informations relatives aux CEM

Le courant électrique qui traverse tout conducteur génère des champs électromagnétiques (CEM) à certains endroits. Le courant de soudage crée un CEM autour du circuit et du matériel de soudage. Les CEM peuvent créer des interférences avec certains implants médicaux comme des stimulateurs cardiaques. Des mesures de protection pour les porteurs d'implants médicaux doivent être prises: par exemple, des restrictions d'accès pour les passants ou une évaluation individuelle des risques pour les soudeurs. Tous les soudeurs doivent appliquer les procédures suivantes pour minimiser l'exposition aux CEM provenant du circuit de soudage:

1. Rassembler les câbles en les torsadant ou en les attachant avec du ruban adhésif ou avec une housse.
2. Ne pas se tenir au milieu des câbles de soudage. Disposer les câbles d'un côté et à distance de l'opérateur.
3. Ne pas courber et ne pas entourer les câbles autour de votre corps.

4. Maintenir la tête et le torse aussi loin que possible du matériel du circuit de soudage.
5. Connecter la pince sur la pièce aussi près que possible de la soudure.
6. Ne pas travailler à proximité d'une source de soudage, ni s'asseoir ou se pencher dessus.
7. Ne pas souder tout en portant la source de soudage ou le dévidoir.

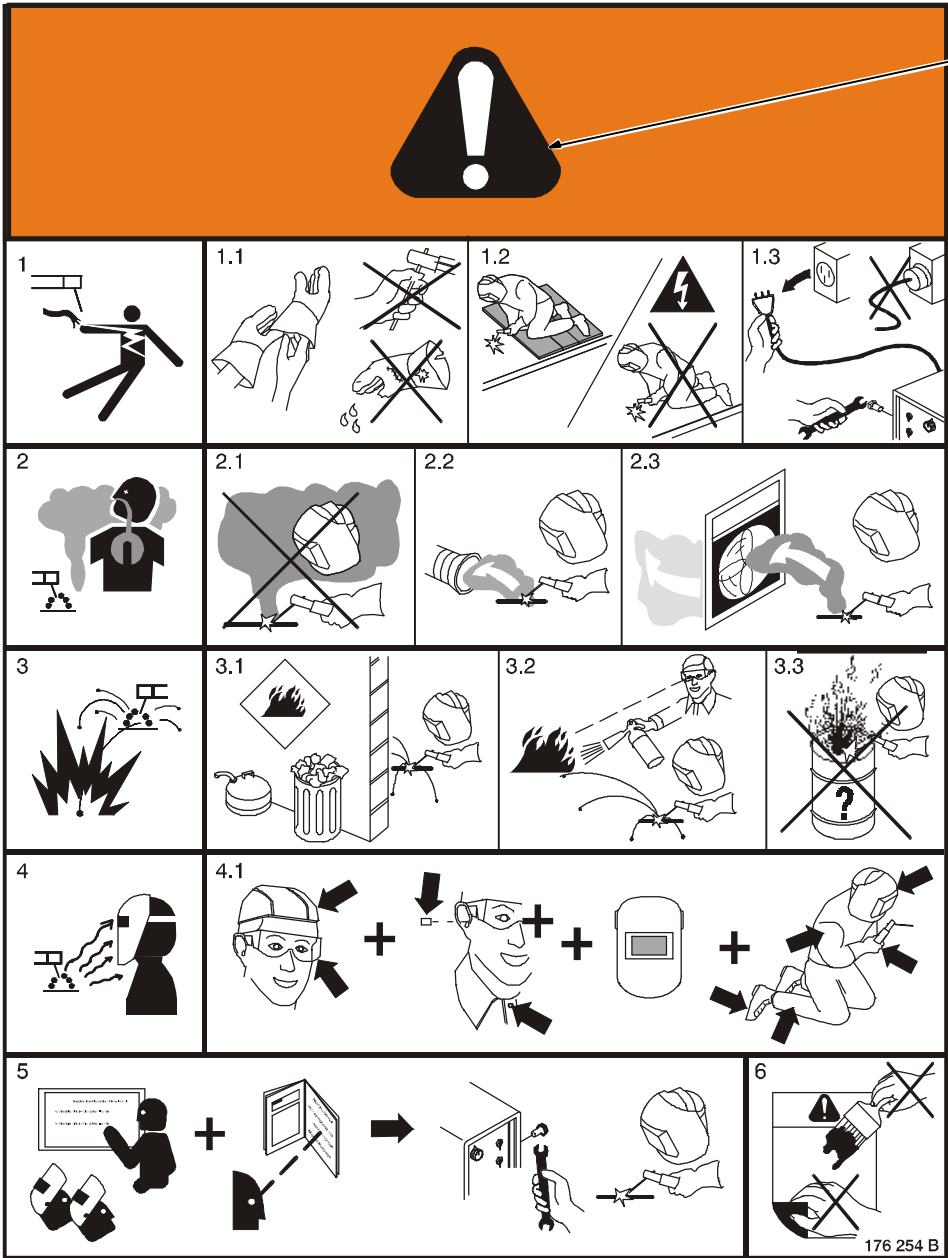
### En ce qui concerne les implants médicaux :

Les porteurs d'implants doivent d'abord consulter leur médecin avant de s'approcher des opérations de soudage à l'arc, de soudage par points, de gougeage, du coupage plasma ou de chauffage par induction. Si le médecin approuve, il est recommandé de suivre les procédures précédentes.



# SECTION 3 – DEFINITIONS

## 3-1. General Precautionary Label

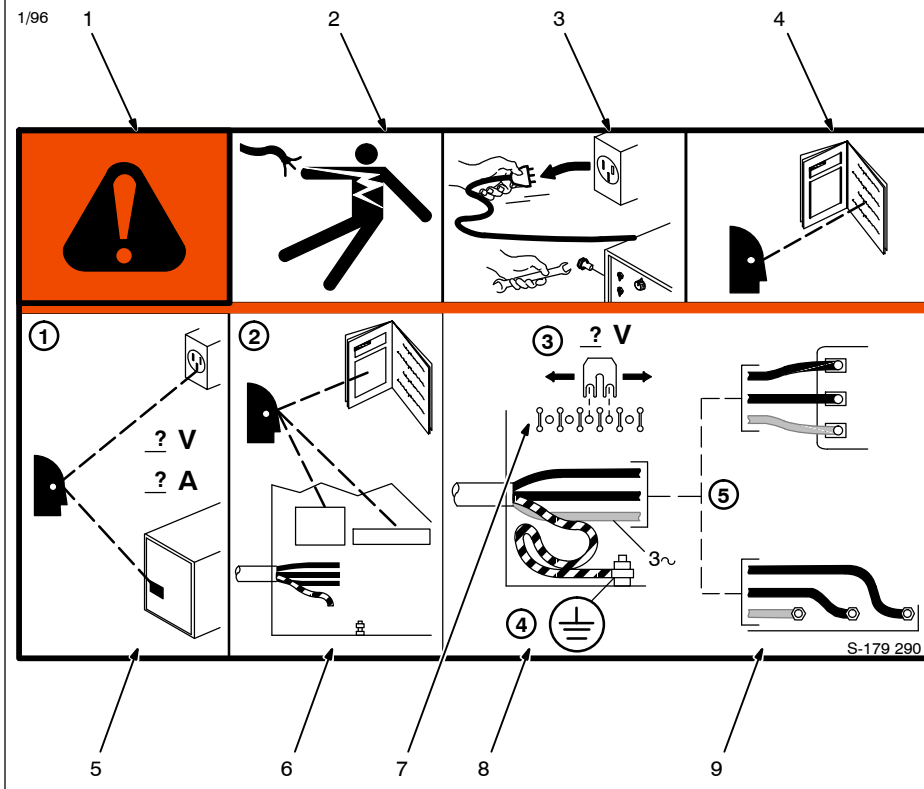


Warning! Watch Out! There are possible hazards as shown by the symbols.

- 1 Electric shock from welding electrode or wiring can kill.
  - 1.1 Wear dry insulating gloves. Do not touch electrode with bare hand. Do not wear wet or damaged gloves.
  - 1.2 Protect yourself from electric shock by insulating yourself from work and ground.
  - 1.3 Disconnect input plug or power before working on machine.
- 2 Breathing welding fumes can be hazardous to your health.
  - 2.1 Keep your head out of the fumes.
  - 2.2 Use forced ventilation or local exhaust to remove the fumes.
  - 2.3 Use ventilating fan to remove fumes.
- 3 Welding sparks can cause explosion or fire.
  - 3.1 Keep flammables away from welding. Do not weld near flammables.
  - 3.2 Welding sparks can cause fires. Have a fire extinguisher nearby, and have a watchperson ready to use it.
  - 3.3 Do not weld on drums or any closed containers.
- 4 Arc rays can burn eyes and injure skin.
  - 4.1 Wear hat and safety glasses. Use ear protection and button shirt collar. Use welding helmet with correct shade of filter. Wear complete body protection.
- 5 Become trained and read the instructions before working on the machine or welding.
- 6 Do not remove or paint over (cover) the label.

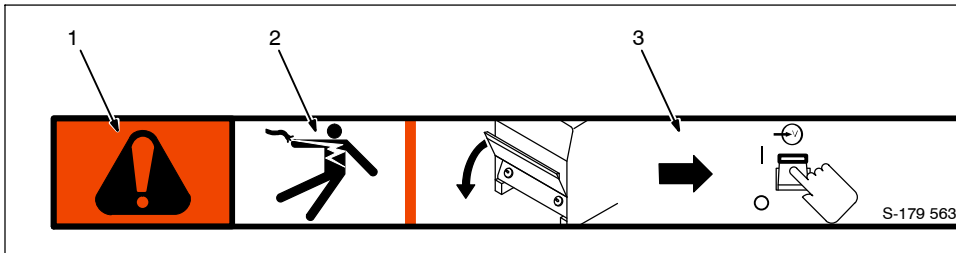
176 254 B

### 3-2. Input Connection Label



- 1 Warning! Watch Out! There are possible hazards as shown by the symbols.
- 2 Electric shock from wiring can kill.
- 3 Disconnect input plug or power before working on machine.
- 4 Read the Owner's Manual before working on this machine.
- 5 Consult rating label for input power requirements, and check power available at the job site – they must match.
- 6 Read Owner's Manual and inside labels for connection points and procedures.
- 7 Move jumper links as shown on inside label to match voltage at job site.
- 8 Having a loop of extra length, connect grounding conductor first.
- 9 Connect line input conductors as shown on inside label – double-check all connections, jumper link positions, and input voltage before applying power.

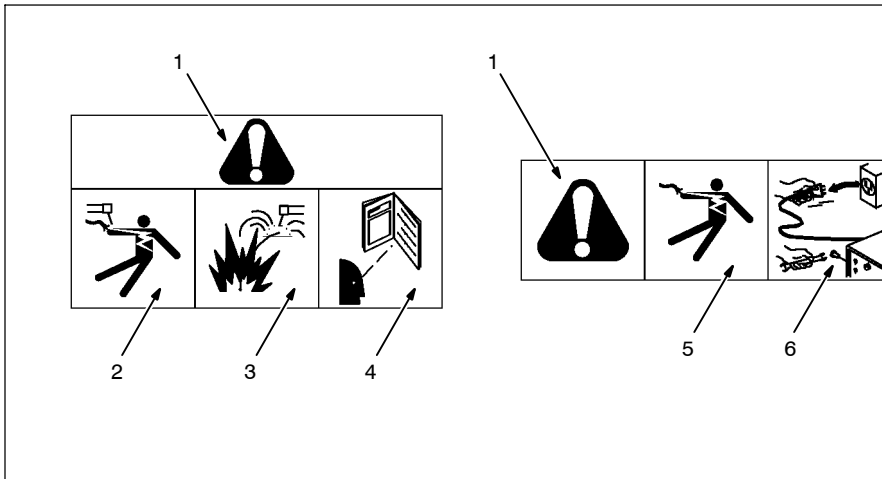
### 3-3. Electric Shock And Airflow Label



- 1 Warning! Watch Out! There are possible hazards as shown by the symbols.
- 2 Electric shock from wiring and exposed weld terminals can kill.
- 3 Close door before turning on unit.

1/96

### 3-4. Nameplate Safety Symbols














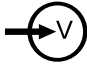



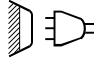



- 1 Warning! Watch Out! There are possible hazards as shown by the symbols.
- 2 Electric shock from welding electrode or wiring can kill.
- 3 Sparks from arcing electrode can cause explosion or fire – disconnect cable for process not in use.
- 4 Read Owner's Manual for connection procedures.
- 5 Electric shock from wiring can kill.
- 6 Disconnect input power before working on unit or making input power terminal strip connections.

Nameplate D-179 389

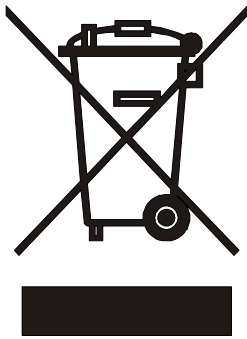


### 3-5. Symbols And Definitions

 Some symbols are found only on CE products.

<b>A</b> Amperes	 Voltage Control/ Panel	 Gas Metal Arc Welding (GMAW)	 Temperature
 Output	 Circuit Breaker	 Remote	 On
 Positive High Inductance Weld Output Terminal	 Positive Low Inductance Weld Output Terminal	 Negative Weld Output Terminal	 Input
<b>V</b> Volts	 Off	 Wire Feed	 Protective Earth (Ground)
<b>U<sub>0</sub></b> Rated No Load Voltage (Average)	<b>U<sub>1</sub></b> Primary Voltage	<b>U<sub>2</sub></b> Conventional Load Voltage	 Line Connection
<b>I<sub>1</sub></b> Primary Current	<b>I<sub>2</sub></b> Rated Welding Current	<b>X</b> Duty Cycle	 Three-Phase Transformer Rectifier
<b>IP</b> Degree Of Protection	 Alternating Current	<b>S<sub>1</sub></b> KVA	 Direct Current
<b>%</b> Percent			

### 3-6. WEEE Label (For Products Sold Within The EU)

	<p>Do not discard product (where applicable) with general waste.</p> <p>Reuse or recycle Waste Electrical and Electronic Equipment (WEEE) by disposing at a designated collection facility.</p> <p>Contact your local recycling office or your local distributor for further information.</p>
-------------------------------------------------------------------------------------	-----------------------------------------------------------------------------------------------------------------------------------------------------------------------------------------------------------------------------------------------------------------------------------------------

# SECTION 4 – INSTALLATION

## 4-1. Important Information Regarding CE Products (Sold Within The EU)

### A. Information On Electromagnetic Fields (EMF)

**⚠ This equipment shall not be used by the general public as the EMF limits for the general public might be exceeded during welding.**

This equipment is built in accordance with EN 60974–1 and is intended to be used only in an occupational environment (where the general public access is prohibited or regulated in such a way as to be similar to occupational use) by an expert or an instructed person.

Wire feeders and ancillary equipment (such as torches, liquid cooling systems and arc striking and stabilizing devices) as part of the welding circuit may not be a major contributor to the EMF. See the Owner's Manuals for all components of the welding circuit for additional EMF exposure information.

- The EMF assessment on this equipment was conducted at 0.5 meter.
- At a distance of 1 meter the EMF exposure values were less than 20% of the permissible values.

ce-emf 1 2010-10

### B. Information On Electromagnetic Compatibility (EMC)

**⚠ This Class A equipment is not intended for use in residential locations where the electrical power is provided by the public low voltage supply system. There may be potential difficulties in ensuring electromagnetic compatibility in those locations, due to conducted as well as radiated disturbances.**

**⚠ This equipment does not comply with IEC 61000–3–12. If it is connected to a public low voltage system, it is the responsibility of the installer or user of the equipment to ensure, by consultation with the distribution network operator if necessary, that the equipment may be connected.**

ce-emc 2 2010-10

## 4-2. Serial Number And Rating Label Location

The serial number and rating information for the power source is located on the front or the rear of the machine. Use the rating labels to determine input power requirements and/or rated output. For future reference, write serial number in space provided on back cover of this manual.

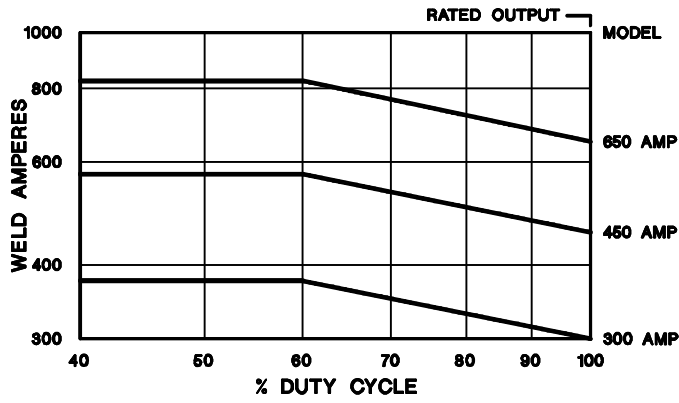
## 4-3. Specifications

Model	Rated Welding Output	Voltage Range DC	Max OCV DC	IP Rating	Amperes Input at Rated Load Output, 50 or 60 Hz, Three-Phase							KVA	KW
					200 V	230 V	380 V	400 V	440 V	460 V	575 V		
300 Amp	300 A @ 32 (29) Volts DC, 100% Duty Cycle	10 – 32	44	21M	48 3.7*	42 3.2*	27 1.8*	25 1.7*	23 1.6*	21 1.6*	17 1.3*	16.9 1.26*	12.9 0.21*
450 Amp	450 A @ 38 (36.5) Volts DC, 100% Duty Cycle	10 – 38	44	21M	72 3.2*	63 2.7*	39 2.6*	37 2.2*	33 2.1*	32 1.4*	25 1.1*	25.1 1.09*	21.1 0.26*
650 Amp	650 A @ 44 Volts DC, 100% Duty Cycle	10 – 44	33	21M	--	96 3.2*	58 3.3*	54 3.0*	50 2.8*	48 1.6*	38 1.3*	38.2 1.26*	34.2 0.35*

\*While idling

( ) Indicates specification differences for CE models

## 4-4. Duty Cycle And Overheating

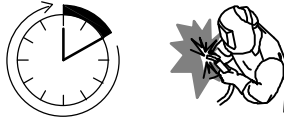


Duty Cycle is percentage of 10 minutes that unit can weld at rated load without overheating.

If unit overheats, thermostat(s) opens, output stops, and cooling fan runs. Wait fifteen minutes for unit to cool. Reduce amperage or duty cycle before welding.

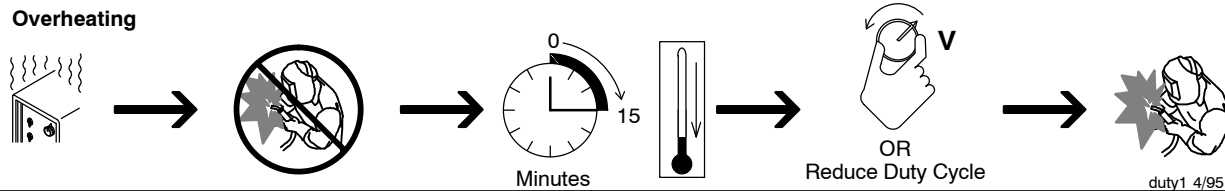
**NOTICE** – Exceeding duty cycle can damage unit and void warranty.

100% Duty Cycle



Continuous Welding

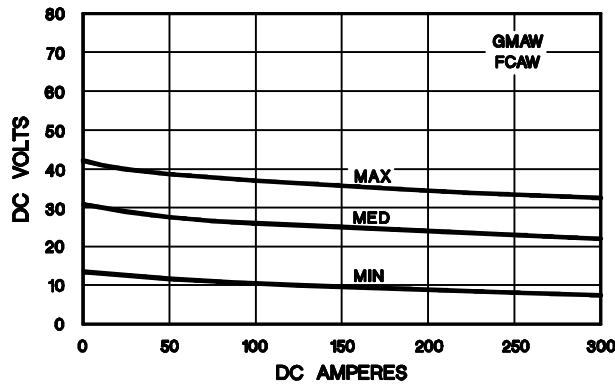
Overheating



duty1 4/95 / SA-168 918

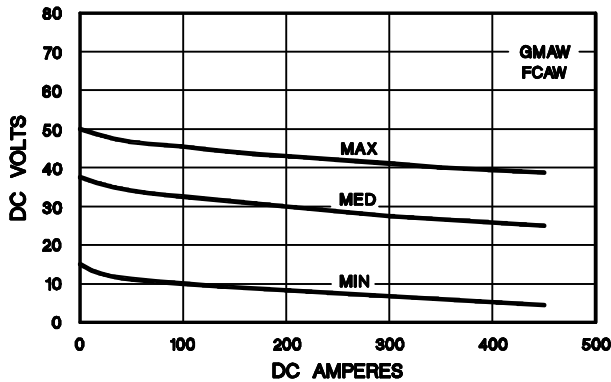
## 4-5. Volt-Ampere Curves

A. 300 Amp Model

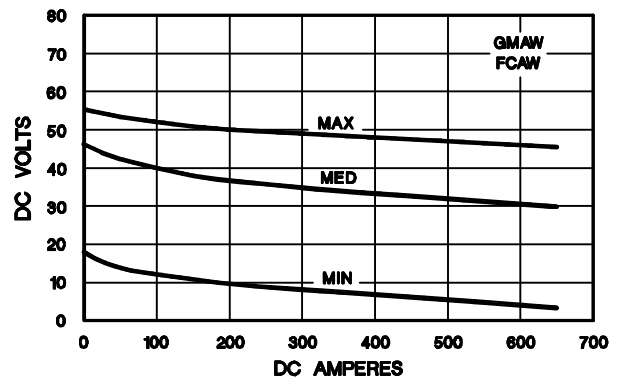


Volt-ampere curves show minimum and maximum voltage and amperage output capabilities of unit. Curves of other settings fall between curves shown.

B. 450 Amp Model



C. 650 Amp Model

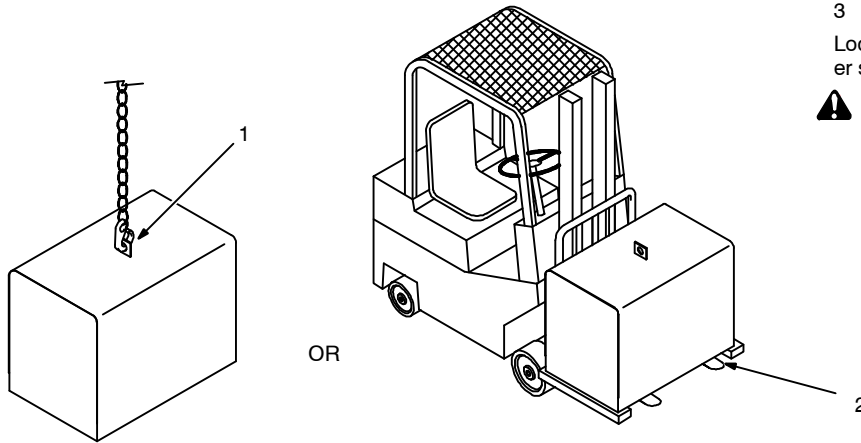


va\_curve1 - 4/95 - 171 224 / 171 225 / 171 226

## 4-6. Selecting A Location



### Movement



- 1 Lifting Eye
  - 2 Lifting Forks
- Use lifting eye or lifting forks to move unit.

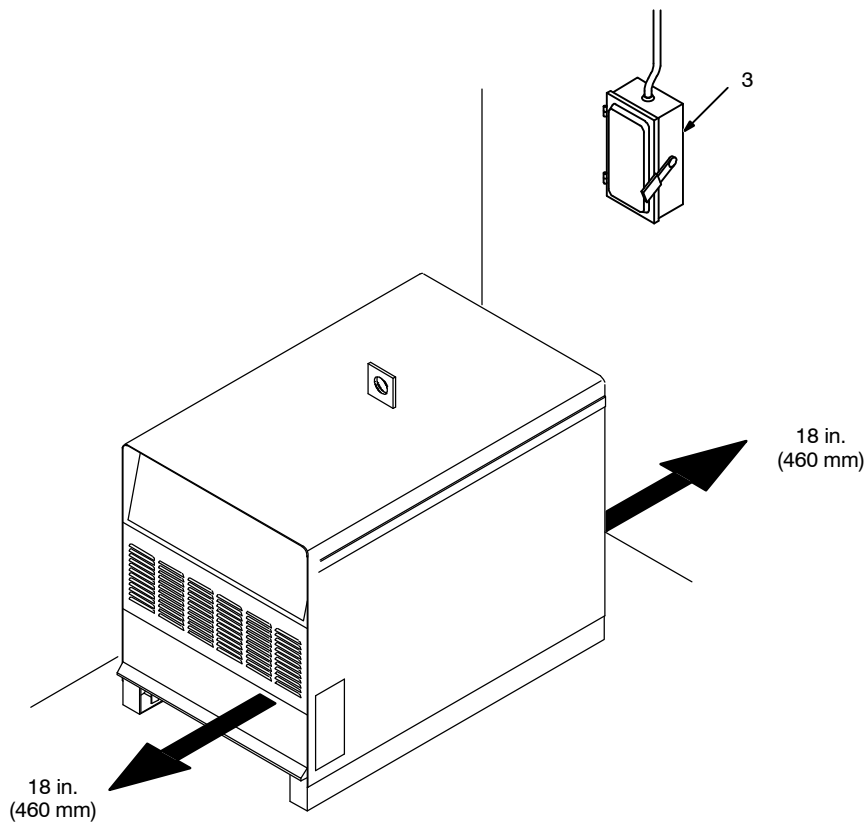
If using lifting forks, extend forks beyond opposite side of unit.

- 3 Line Disconnect Device

Locate unit near correct input power supply.

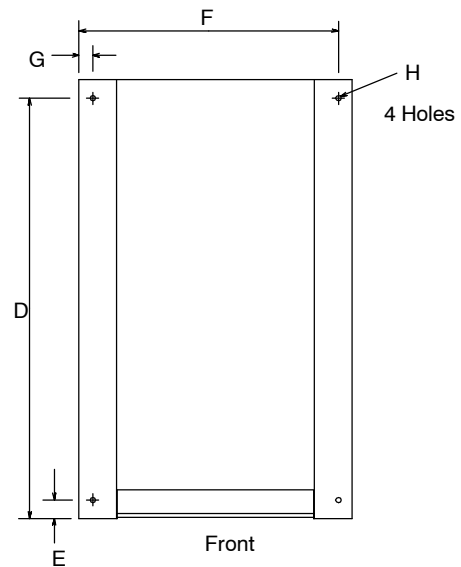
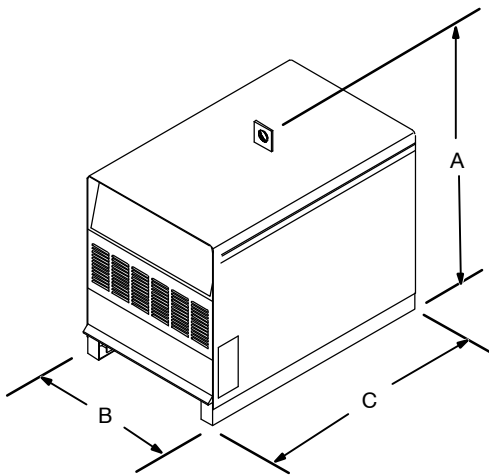
**⚠ Special installation may be required where gasoline or volatile liquids are present – see NEC Article 511 or CEC Section 20.**

### Location And Airflow



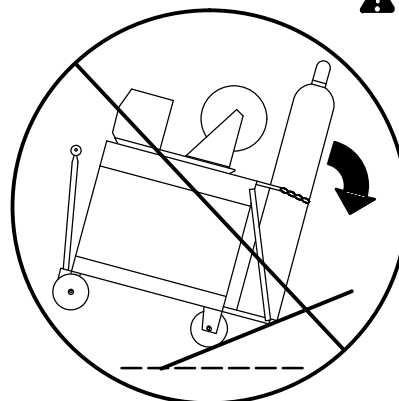
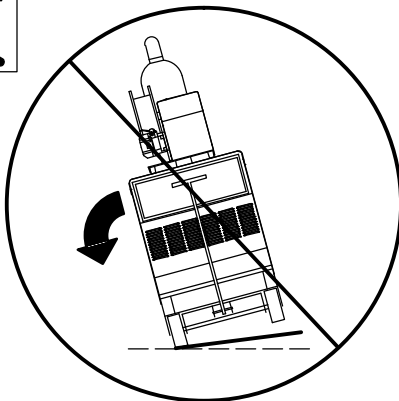
## 4-7. Dimensions And Weights

Dimensions			
	300 Amp Models	450 Amp Models	650 Amp Models
A	30 in. (762 mm) including lift eye	30 in. (762 mm) including lift eye	30 in. (762 mm) including lift eye
B	23 in. (585 mm)	23 in. (585 mm)	23 in. (585 mm)
C	30-1/2 in. (775 mm) including strain relief	38 in. (966 mm) including strain relief	38 in. (966 mm) including strain relief
D	27-1/2 in. (699 mm)	35 in. (889 mm)	35 in. (889 mm)
E	3/4 in. (19 mm)	1-1/4 in. (32 mm)	1-1/4 in. (32 mm)
F	21-1/8 in. (537 mm)	21-1/8 in. (537 mm)	21-1/8 in. (537 mm)
G	1-1/8 in. (29 mm)	1-1/8 in. (29 mm)	1-1/8 in. (29 mm)
H	7/16 in. (11 mm) Dia	7/16 in. (11 mm) Dia	7/16 in. (11 mm) Dia
Weight			
	323 lb (147 kg)	384 lb (174 kg)	472 lb (214 kg)



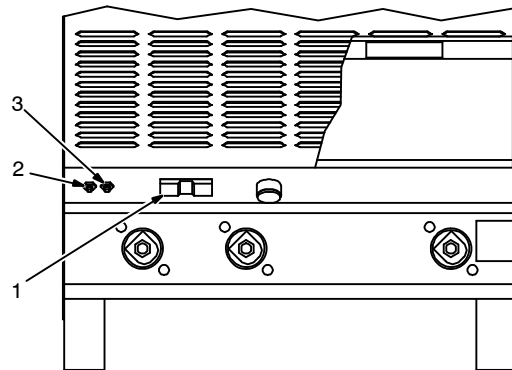
800 453-A / 801 530

## 4-8. Tipping



**Do not move or operate unit where it could tip.**

## 4-9. 115 VAC Receptacle And Supplementary Protectors



**⚠ Turn Off power before connecting to receptacle.**

- 1 115 V 15 A AC Receptacle RC9

Power is shared between RC9 and Remote 14 receptacle RC8 (see Section 4-13).

- 2 Supplementary Protector CB1
- 3 Supplementary Protector CB2

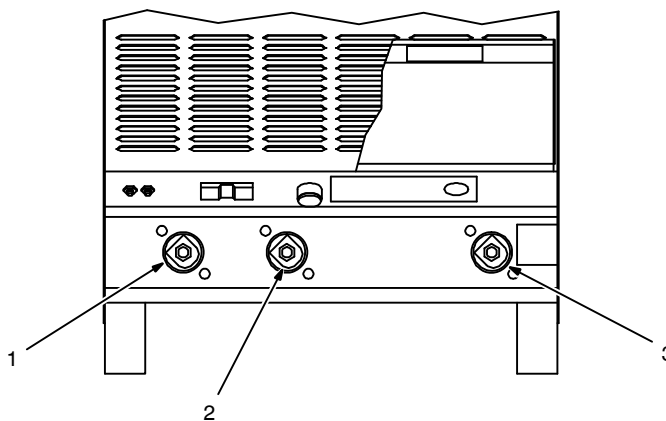
CB1 protects the 115 volts AC portion of RC8 and RC9 from overload.

CB2 protects the 24 volts AC portion of RC8 from overload.

Press button to reset protector.

Ref. 800 166-D

## 4-10. Weld Output Terminals



**⚠ Turn Off power before connecting to weld output receptacle.**

- 1 Positive High Inductance Output Terminal
- 2 Positive Low Inductance Output Terminal
- 3 Negative Output Terminal

Select cables according to Section 4-11.


**⚠ Do not use worn, damaged, undersized, or poorly spliced cables.**

Connect weld cables according to Section 4-12.

Ref. 800 166-D

## 4-11. Weld Output Terminals And Selecting Cable Sizes\*

**NOTICE** – The Total Cable Length in Weld Circuit (see table below) is the combined length of both weld cables. For example, if the power source is 100 ft (30 m) from the workpiece, the total cable length in the weld circuit is 200 ft (2 cables x 100 ft). Use the 200 ft (60 m) column to determine cable size.

 <b>Weld Output Terminals</b>	<b>Weld Cable Size** and Total Cable (Copper) Length in Weld Circuit Not Exceeding***</b>								
	<b>Welding Amperes</b>	100 ft (30 m) or Less	150 ft (45 m)	200 ft (60 m)	250 ft (70 m)	300 ft (90 m)	350 ft (105 m)	400 ft (120 m)	
		<b>10 – 60% Duty Cycle</b> <b>AWG (mm<sup>2</sup>)</b>	<b>60 – 100% Duty Cycle</b> <b>AWG (mm<sup>2</sup>)</b>	<b>10 – 100% Duty Cycle</b> <b>AWG (mm<sup>2</sup>)</b>					
	100	4 (20)	4 (20)	4 (20)	3 (30)	2 (35)	1 (50)	1/0 (60)	1/0 (60)
	150	3 (30)	3 (30)	2 (35)	1 (50)	1/0 (60)	2/0 (70)	3/0 (95)	3/0 (95)
	200	3 (30)	2 (35)	1 (50)	1/0 (60)	2/0 (70)	3/0 (95)	4/0 (120)	4/0 (120)
	250	2 (35)	1 (50)	1/0 (60)	2/0 (70)	3/0 (95)	4/0 (120)	2 ea. 2/0 (2x70)	2 ea. 2/0 (2x70)
	300	1 (50)	1/0 (60)	2/0 (70)	3/0 (95)	4/0 (120)	2 ea. 2/0 (2x70)	2 ea. 3/0 (2x95)	2 ea. 3/0 (2x95)
	350	1/0 (60)	2/0 (70)	3/0 (95)	4/0 (120)	2 ea. 2/0 (2x70)	2 ea. 3/0 (2x95)	2 ea. 3/0 (2x95)	2 ea. 4/0 (2x120)
	400	1/0 (60)	2/0 (70)	3/0 (95)	4/0 (120)	2 ea. 2/0 (2x70)	2 ea. 3/0 (2x95)	2 ea. 4/0 (2x120)	2 ea. 4/0 (2x120)
	500	2/0 (70)	3/0 (95)	4/0 (120)	2 ea. 2/0 (2x70)	2 ea. 3/0 (2x95)	2 ea. 4/0 (2x120)	3 ea. 3/0 (3x95)	3 ea. 3/0 (3x95)
	600	3/0 (95)	4/0 (120)	2 ea. 2/0 (2x70)	2 ea. 3/0 (2x95)	2 ea. 4/0 (2x120)	3 ea. 3/0 (3x95)	3 ea. 4/0 (3x120)	3 ea. 4/0 (3x120)
	700	4/0 (120)	2 ea. 2/0 (2x70)	2 ea. 3/0 (2x95)	2 ea. 4/0 (2x120)	3 ea. 3/0 (3x95)	3 ea. 4/0 (3x120)	3 ea. 4/0 (3x120)	4 ea. 4/0 (4x120)


\* This chart is a general guideline and may not suit all applications. If cable overheats, use next size larger cable.

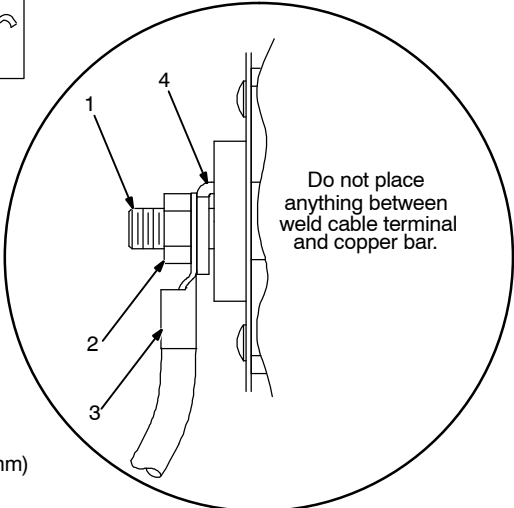
\*\*Weld cable size (AWG) is based on either a 4 volts or less drop or a current density of at least 300 circular mils per ampere.  
( ) = mm<sup>2</sup> for metric use

\*\*\*For distances longer than those shown in this guide, call a factory applications rep. at 920-735-4505 (Miller) or 1-800-332-3281 (Hobart)

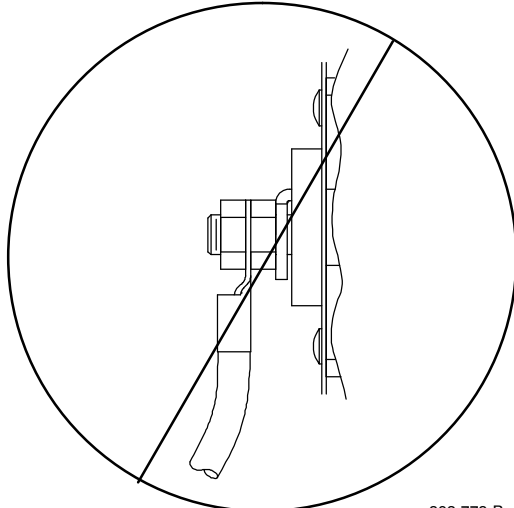
Ref. S-0007-G 2009-08

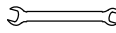
## 4-12. Connecting Weld Output Cables





Do not place anything between weld cable terminal and copper bar.



Tools Needed:  
 3/4 in. (19 mm)

Correct Installation Incorrect Installation

**⚠ Turn off power before connecting to weld output terminals.**

**⚠ Failure to properly connect weld cables may cause excessive heat and start a fire, or damage your machine.**


- 1 Weld Output Terminal
- 2 Supplied Weld Output Terminal Nut
- 3 Weld Cable Terminal
- 4 Copper Bar

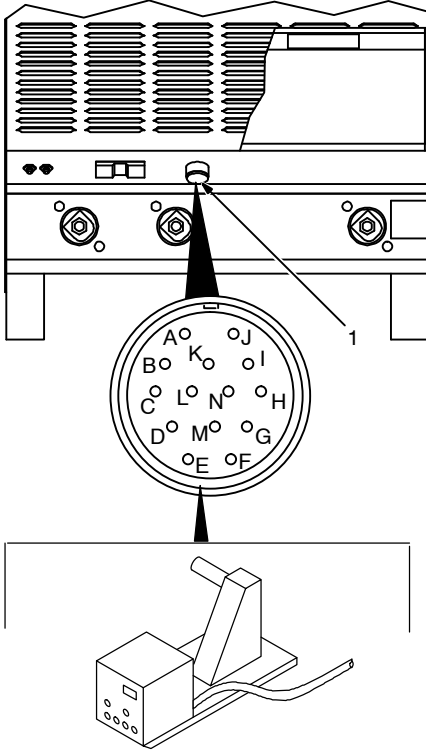
Remove supplied nut from weld output terminal. Slide weld cable terminal onto weld

output terminal and secure with nut so that weld cable terminal is tight against copper bar. **Do not place anything between weld cable terminal and copper bar. Make sure that the surfaces of the weld cable terminal and copper bar are clean.**

803 778-B

## 4-13. Remote 14 Receptacle RC8





**⚠ Turn off power before connecting to receptacle.**



- 1 Remote 14 Receptacle RC8

Connect feeder to RC8.

Ref. 800 166-D / Ref. S-0004-A



## 4-14. Remote 14 Receptacle RC8 Information

	Socket	Information
24 VOLTS AC  OUTPUT (CONTACTOR)	A	24 volts AC. Protected by supplementary protector CB2.
	B	Contact closure to A completes 24 volts AC contactor control circuit.
REMOTE OUTPUT CONTROL	C	Command reference; 0 to +10 volts DC.
	D	Remote control circuit common.
	E	0 to +10 volts DC input command signal from remote control.
A/V AMPERAGE VOLTAGE	F	Current feedback; 1 volt per 100 amperes.
	H	Voltage feedback; 1 volt per 10 arc volts.
115 VOLTS AC  OUTPUT (CONTACTOR)	I	115 volts, 15 amperes, 60 Hz AC. Protected by supplementary protector CB1.
	J	Contact closure to I completes 115 volts AC contactor control circuit.
GND	K	Chassis common.
	G	Circuit common for 24 and 115 volts AC circuits.
REMOTE POWER ON/OFF	*	To remote On/Off switch.
REMOTE VOLTAGE SENSING	*	Voltage sensing signal from Negative (-) weld output terminal.
	*	Voltage sensing signal from Positive (+) weld output terminal.

\* Not Used

## Notes

---



---



---



---



---



---



---



---



---



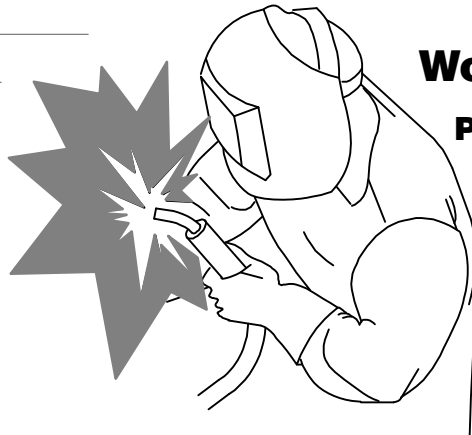
---



---



---



**Work like a Pro!**

**Pros weld and cut safely. Read the safety rules at the beginning of this manual.**

## 4-15. Electrical Service Guide

**⚠** Failure to follow these electrical service guide recommendations could create an electric shock or fire hazard. These recommendations are for a dedicated branch circuit sized for the rated output and duty cycle of the welding power source.

60 Hertz Models	300 Amp Model				450 Amp Model				650 Amp Model		
<b>Input Voltage (V)</b>	200	230	460	575	200	230	460	575	230	460	575
<b>Input Amperes (A) At Rated Output</b>	48	42	21	17	72	63	32	25	96	48	38
<b>Max Recommended Standard Fuse Rating In Amperes <sup>1</sup></b>											
<b>Time-Delay Fuses <sup>2</sup></b>	60	50	25	20	90	70	40	30	110	60	45
<b>Normal Operating Fuses <sup>3</sup></b>	70	60	30	25	110	90	45	40	150	70	60
<b>Min Input Conductor Size In AWG <sup>4</sup></b>	8	8	10	12	4	6	8	10	3	8	8
<b>Max Recommended Input Conductor Length In Feet (Meters)</b>	111 (34)	147 (45)	393 (120)	374 (114)	163 (50)	142 (43)	366 (112)	379 (115)	166 (51)	228 (70)	357 (109)
<b>Min Grounding Conductor Size In AWG <sup>4</sup></b>	8	10	10	12	6	8	10	10	6	8	10

Reference: 2008 National Electrical Code (NEC) (including article 630)

- 1 If a circuit breaker is used in place of a fuse, choose a circuit breaker with time-current curves comparable to the recommended fuse.
- 2 "Time-Delay" fuses are UL class "RK5". See UL 248.
- 3 "Normal Operating" (general purpose - no intentional delay) fuses are UL class "K5" (up to and including 60 amps), and UL class "H" (65 amps and above).
- 4 Conductor data in this section specifies conductor size (excluding flexible cord or cable) between the panelboard and the equipment per NEC Table 310.16. If a flexible cord or cable is used, minimum conductor size may increase. See NEC Table 400.5(A) for flexible cord and cable requirements.

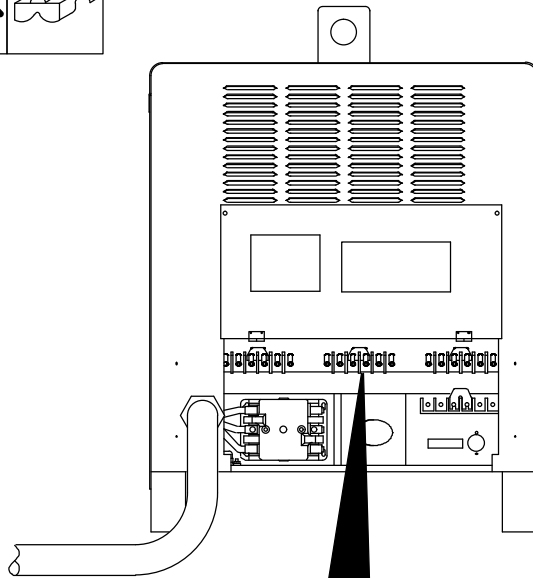
**⚠** Failure to follow these electrical service guide recommendations could create an electric shock or fire hazard. These recommendations are for a dedicated branch circuit sized for the rated output and duty cycle of the welding power source.

50 Hertz Models	300 Amp Model			450 Amp Model			650 Amp Model		
<b>Input Voltage (V)</b>	380	400	440	380	400	440	380	400	440
<b>Input Amperes (A) At Rated Output</b>	27	25	23	39	37	33	58	54	50
<b>Max Recommended Standard Fuse Rating In Amperes <sup>1</sup></b>									
<b>Time-Delay Fuses <sup>2</sup></b>	30	30	25	45	45	40	70	60	60
<b>Normal Operating Fuses <sup>3</sup></b>	40	35	35	60	50	50	90	80	80
<b>Min Input Conductor Size In AWG <sup>4</sup></b>	10	10	10	8	8	8	6	6	6
<b>Max Recommended Input Conductor Length In Feet (Meters)</b>	268 (82)	297 (90)	359 (109)	250 (76)	277 (84)	335 (102)	243 (74)	269 (82)	325 (99)
<b>Min Grounding Conductor Size In AWG <sup>4</sup></b>	10	10	10	10	10	10	8	8	8

Reference: 2008 National Electrical Code (NEC) (including article 630)

- 1 If a circuit breaker is used in place of a fuse, choose a circuit breaker with time-current curves comparable to the recommended fuse.
- 2 "Time-Delay" fuses are UL class "RK5". See UL 248.
- 3 "Normal Operating" (general purpose - no intentional delay) fuses are UL class "K5" (up to and including 60 amps), and UL class "H" (65 amps and above).
- 4 Conductor data in this section specifies conductor size (excluding flexible cord or cable) between the panelboard and the equipment per NEC Table 310.16. If a flexible cord or cable is used, minimum conductor size may increase. See NEC Table 400.5(A) for flexible cord and cable requirements.

## 4-16. Placing Jumper Links



**⚠ Disconnect and lockout/tag-out input power before installing or moving jumper links.**

Check input voltage available at site.

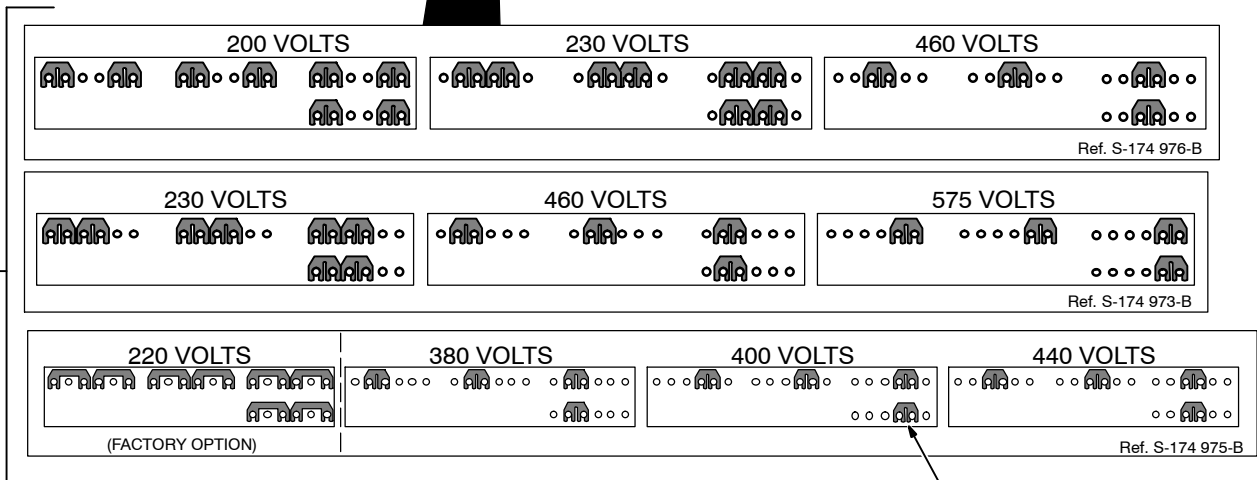
1 Jumper Link Label

Check label – only one is on unit.

2 Jumper Links

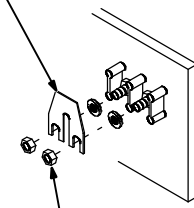
Move jumper links to match input voltage.

Close access door, or go on to Section 4-17.



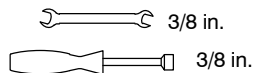
1

2



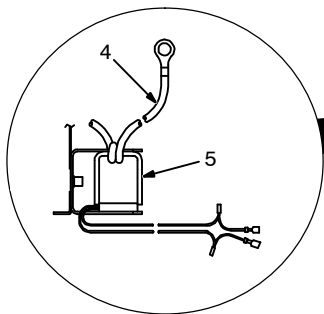
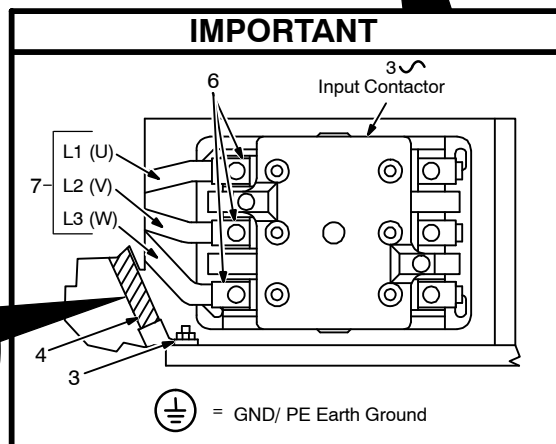
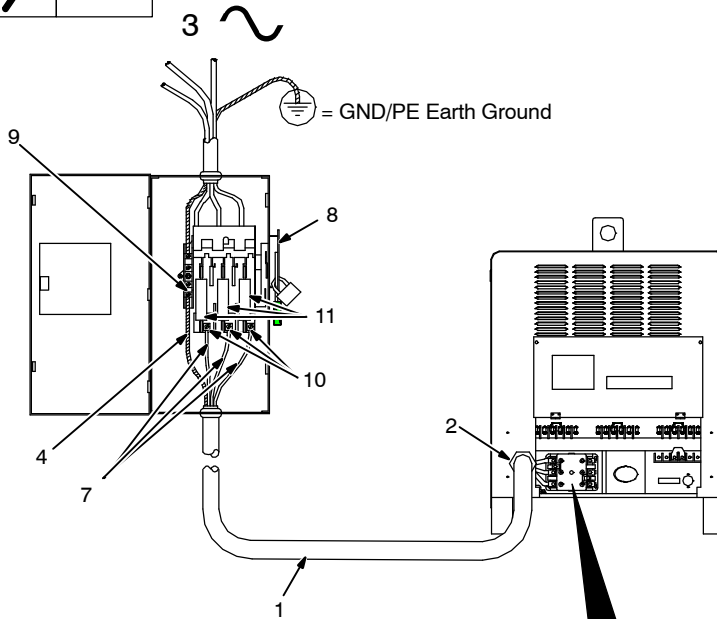
Do not overtighten jumper link nuts.

Tools Needed:

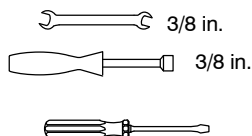


Ref. 800 103-A

## 4-17. Connecting Input Power



### Tools Needed:



**⚠ Installation must meet all National and Local Codes – have only qualified persons make this installation.**

**⚠ Disconnect and lockout/tagout input power before connecting input conductors from unit.**

**⚠ Make input power connections to the welding power source first.**

**⚠ Always connect green or green/yellow conductor to supply grounding terminal first, and never to a line terminal.**

See rating label on unit and check input voltage available at site.

1 Input Power Conductors (Customer Supplied Cord)

Select size and length of conductors using Section 4-15. Conductors must comply with national, state, and local electrical codes. If applicable, use lugs of proper amperage capacity and correct hole size.

### Welding Power Source Input Power Connections

2 Strain Relief

Route conductors (cord) through strain relief and tighten screws.

3 Machine Grounding Terminal

4 Green Or Green/Yellow Grounding Conductor

5 Reed Switch (Ground Current Sensor) (Optional)

Connect green or green/yellow grounding conductor to welding power source grounding terminal first. If unit is equipped with optional ground current sensor, route grounding conductor through reed switch two times and connect to grounding terminal.

6 Welding Power Source Line Terminals  
7 Input Conductors L1 (U), L2 (V) And L3 (W)

Connect input conductors L1 (U), L2 (V) and L3 (W) to welding power source line terminals.

Close and secure access door on welding power source.

### Disconnect Device Input Power Connections

8 Disconnect Device (switch shown in OFF position)

9 Disconnect Device (Supply) Grounding Terminal

Connect green or green/yellow grounding conductor to disconnect device grounding terminal first.

10 Disconnect Device Line Terminals

Connect input conductors L1 (U), L2 (V) And L3 (W) to disconnect device line terminals.

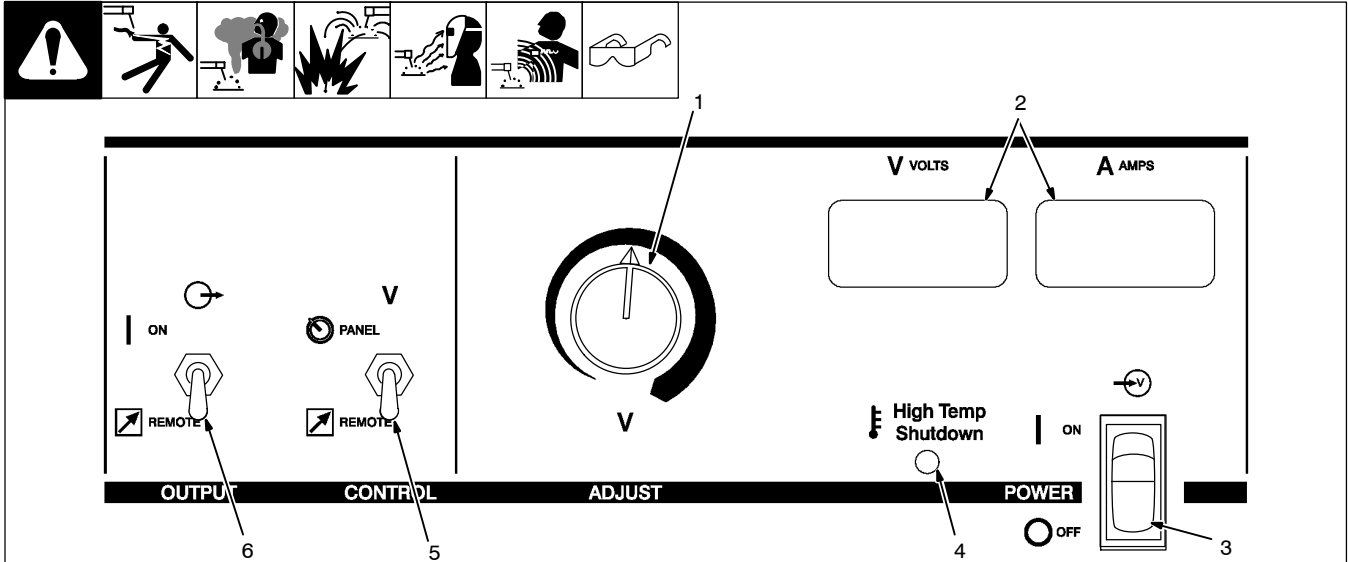
11 Over-Current Protection

Select type and size of over-current protection using Section 4-15 (fused disconnect switch shown).

Close and secure door on line disconnect device. Remove lockout/tagout device, and place switch in the On position.

# SECTION 5 – OPERATION

## 5-1. Controls (Non CE Models)



Ref. 162 503-C

### 1 Voltage Adjustment Control

Turn control clockwise to increase voltage. Voltmeter value changes as control knob is turned. Control can be adjusted while welding.

### 2 Digital Meters

Voltmeter displays preset voltage with contactor off. Voltmeter and ammeter display actual output voltage and amperage with contactor on.

### 3 Power Switch With Indicator Light

For front panel control of output, place switch in Panel position. For remote control of output, place switch in Remote position, and connect remote device (see Section 4-13).

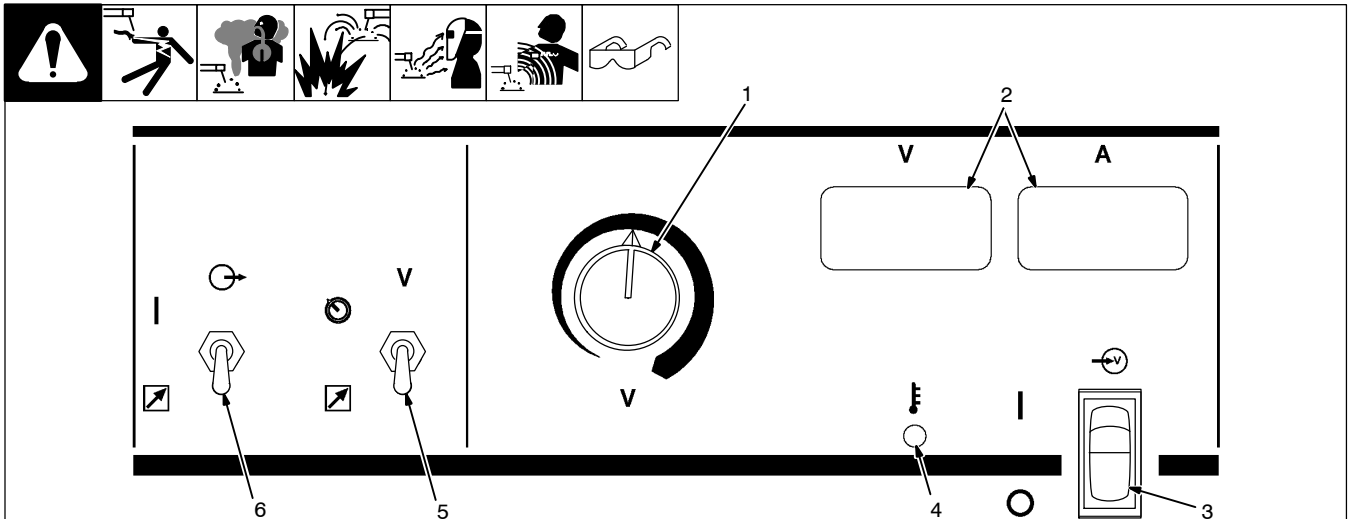
### 6 Output Switch

For front panel control of output, place switch in Panel position. For remote control of output, place switch in Remote position, and connect remote device (see Section 4-13).

**⚠ Weld output studs are energized only when Output switch is in On position, or while welding.**

**⚠ Turn Off power before connecting remote device.**

## 5-2. Controls (CE Models)



Ref. 173 449-B

### 1 Voltage Adjustment Control

Turn control clockwise to increase voltage. Voltmeter value changes as control knob is turned. Control can be adjusted while welding.

### 2 Digital Meters

Voltmeter displays preset voltage with contactor off. Voltmeter and ammeter display actual output voltage and amperage with contactor on.

### 3 Power Switch With Indicator Light

For front panel control of output, place switch in Panel position. For remote control of output, place switch in Remote position, and connect remote device (see Section 4-13).

### 6 Output Switch

For front panel control of output, place switch in Panel position. For remote control of output, place switch in Remote position, and connect remote device (see Section 4-13).

**⚠ Weld output studs are energized only when Output switch is in On position, or while welding.**

**⚠ Turn Off power before connecting remote device.**

# SECTION 6 – MAINTENANCE & TROUBLESHOOTING

## 6-1. Routine Maintenance

			<b>Disconnect input power before maintaining.</b>		
	✓ = Check * To be done by Factory Authorized Service Agent	◇ = Change	● = Clean	Δ = Repair	☆ = Replace
Every 3 Months	 ✓☆ Labels	 ✓● Weld Terminals	 ✓Δ ☆Cables And Cords		
Every 6 Months	 ●:During heavy service, clean monthly.				

## 6-2. Fuse F1

				<b>Disconnect input power before opening rear access door.</b>
				<ol style="list-style-type: none"> <li>Fuse Holder Cover</li> <li>Fuse F1 (See Parts List For Rating)</li> </ol> <p>Fuse F1 protects control transformer from overload. If F1 opens, weld output and fan motor stops. Replace F1.</p>
<p>Tools Needed:</p> 3/8 in.			<p>Turn → Pull Out And Replace Fuse (Install Flat End Of Fuse Into Cover) → Turn</p>	
				Ref. 800 101-C

## 6-3. Short Circuit Shutdown

When contact tip is shorted and sticks to workpiece, the unit output falls to a safe operating level. To resume operation, release gun trigger, turn Off unit, and remove contact tip from workpiece. Check contact tip and replace if damaged. Turn On unit to continue operation.

## 6-4. Troubleshooting Table



Trouble	Remedy
No weld output; unit completely inoperative.	Place line disconnect switch in On position (see Section 4-17).
	Check fuse F1, and replace if necessary (see Section 6-2).
	Check and replace line fuse(s), if necessary, or reset circuit breaker (see Section 4-17).
	Check for proper input power connections (see Section 4-17).
	Check for proper jumper link position (see Section 4-16).
No weld output; Power switch pilot light on; fan on.	If using wire feeder, place Output (Contactor) switch in Remote 14 position, and connect wire feeder (see Sections 4-14 and 4-13). If feeder is not being used, place switch in On position (see Section 5-1).
	Check, repair, or replace feeder (see wire feeder Owner's Manual).
	Unit overheated. Allow unit to cool with fan On (see Section 4-4).
	Have Factory Authorized Service Agent check control board PC1.
No weld output; Power switch pilot light on; fan off.	Check for proper input power connections (see Section 4-17).
	Check for open line fuse(s), and replace if necessary, or reset circuit breaker (see Section 4-17).
Unit provides only maximum or minimum weld output.	Have Factory Authorized Service Agent check control board PC1.
Erratic or improper weld output.	Use proper size and type of weld cable (see Section 4-11).
	Clean and tighten all weld connections.
	Check wire feeder installation according to Owner's Manual.
	Have Factory Authorized Service Agent check control board PC1 and/or SCR in main rectifier.
No 115 volts AC output at duplex receptacle or Remote 14 receptacle.	Reset supplementary protector CB1 (see Section 4-9).
No 24 volts AC output at Remote 14 receptacle.	Reset supplementary protector CB2 (see Section 4-9).
Fan not operating. Note: fan runs only when cooling is necessary.	Check for and remove anything blocking fan movement.
	Have Factory Authorized Service Agent check fan motor.

# SECTION 7 – ELECTRICAL DIAGRAM

	<b>WARNING</b> Do not touch live electrical parts. Disconnect input power or stop engine before servicing. Do not operate with covers removed. Have only qualified persons install, use, or service this unit.
	<b>ELECTRIC SHOCK HAZARD</b>

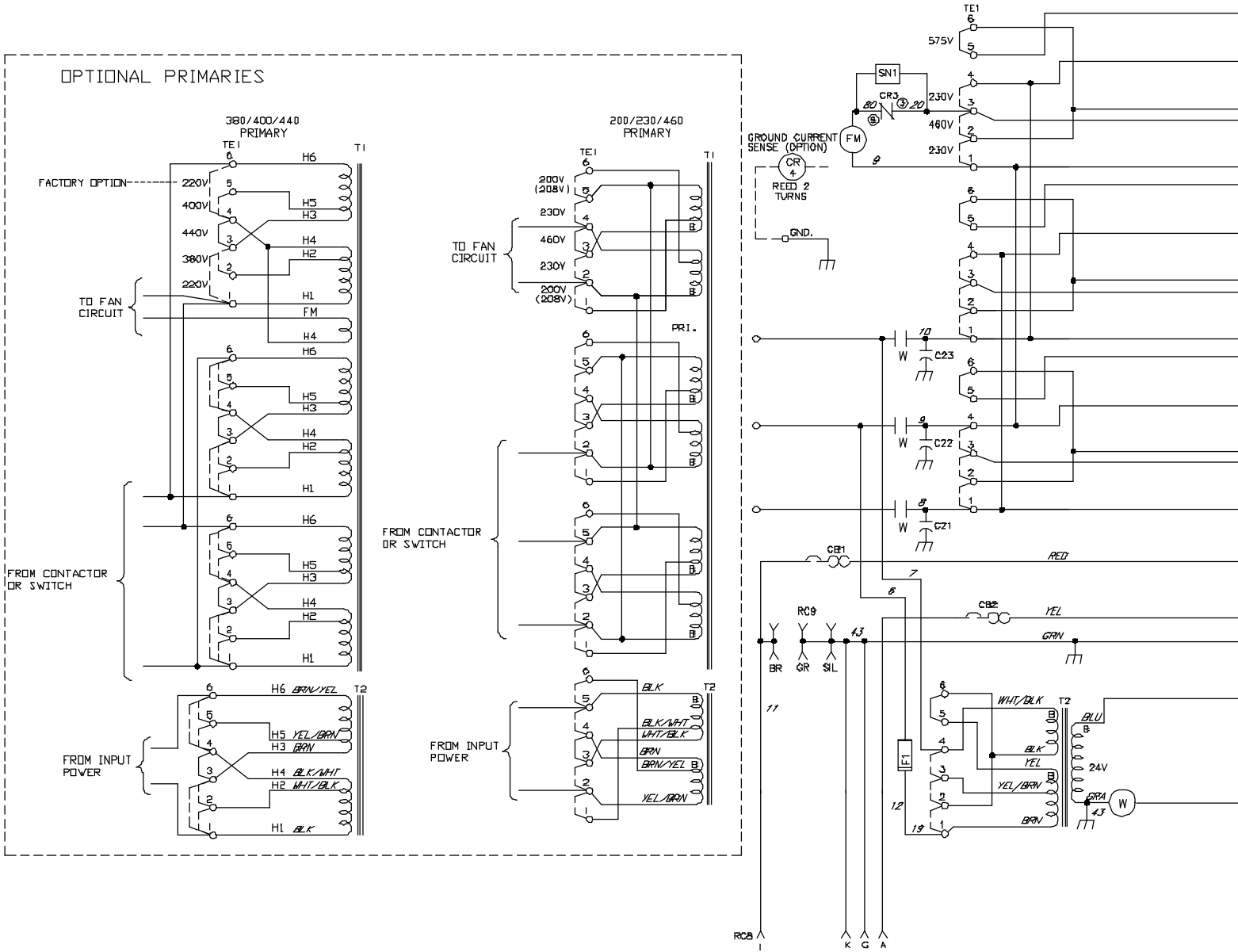
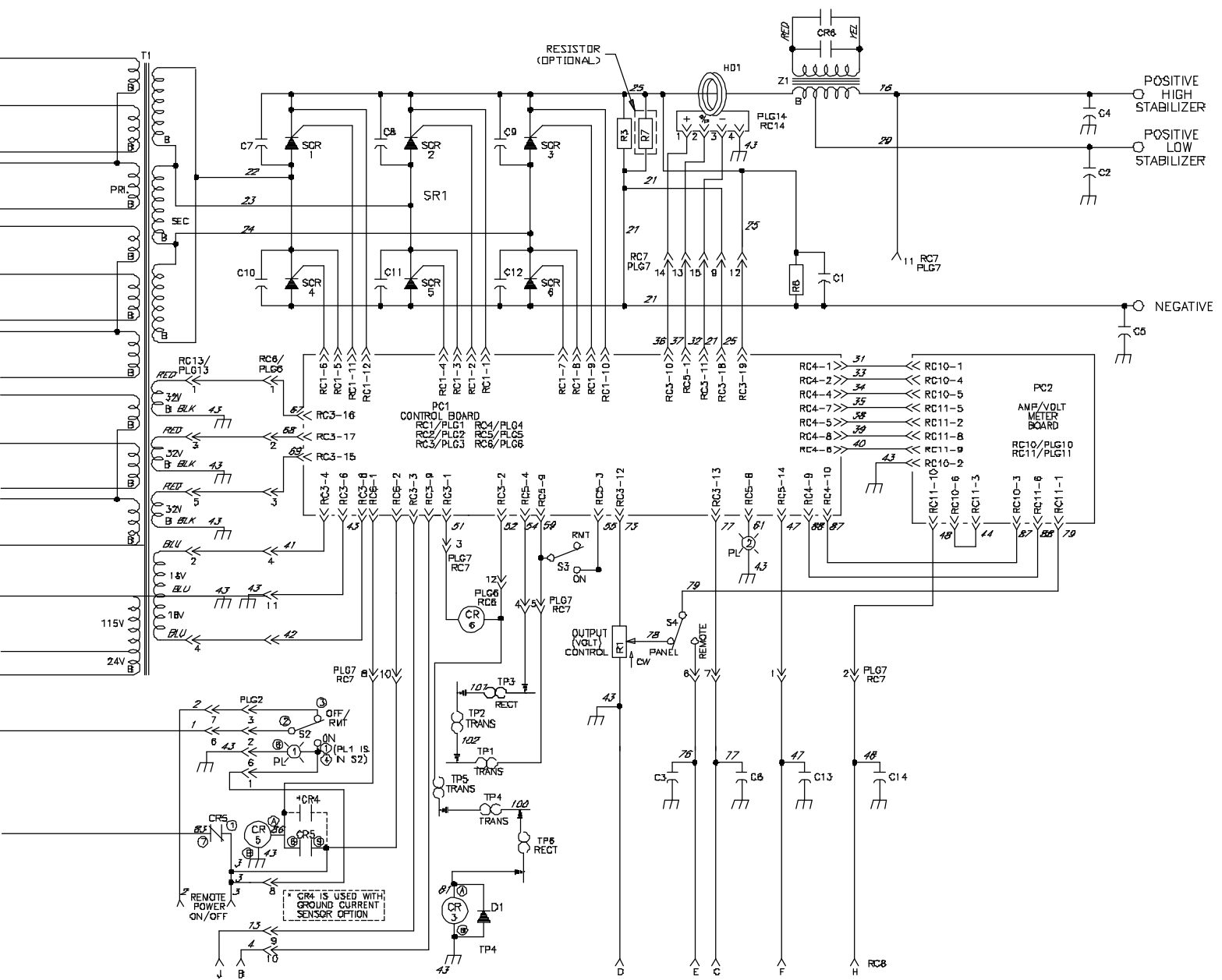



Figure 7-1. Circuit Diagram





# SECTION 8 – PARTS LIST

 Hardware is common and not available unless listed.

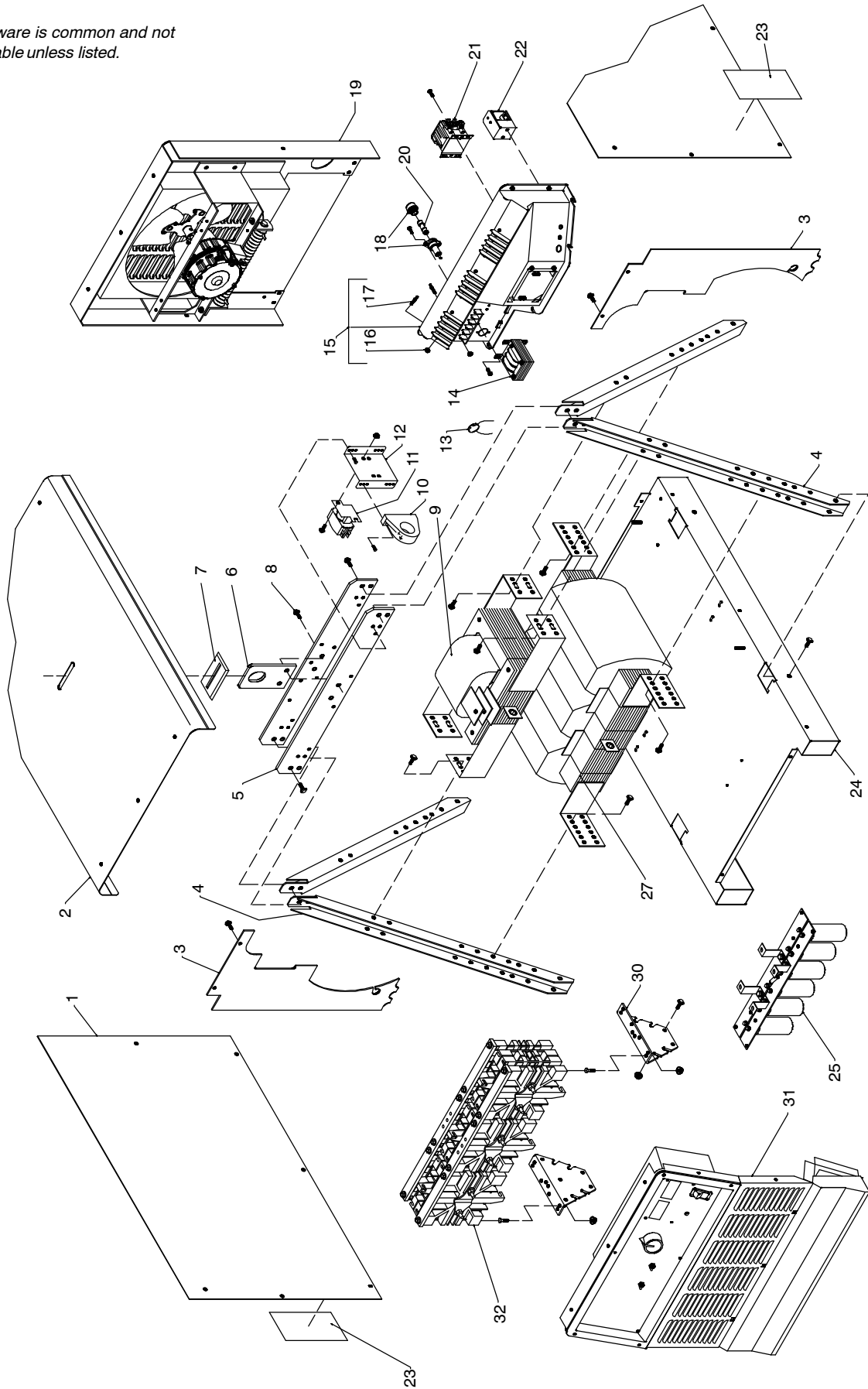


Figure 8-1 Main Assembly (452 Model Illustrated)

Item No.	Dia. Mkgs.	Part No.	Description	Quantity		
				302	452	652
				402	602	852

**Figure 8-1 Main Assembly (452 Model Illustrated)**

...	1	...	+179 430	..	PANEL, side	...	2		
...	1	...	+179 432	..	PANEL, side	...	2	...	2
...	2	...	179 429	..	COVER, top	...	1		
...	2	...	179 431	..	COVER, top	...	1	...	1
...	3	...	164 699	..	BAFFLE, air	...	2	...	2
...	3	...	164 903	..	BAFFLE, air	...			2
...	4	...	162 816	..	CHANNEL, upright	...	4	...	4
...	5	...	162 820	..	BAR, mtg lift eye	...	2	...	2
...	6	...	162 830	..	LIFT EYE	...	1	...	1
...	7	...	177 279	..	GASKET, lift eye	...	1	...	1
...	8	...	604 536	..	SCREW, .312-18 x 1.75 hexhd-pln gr 5	...	2	...	2
...	9	Z1	166 362	..	STABILIZER	...	1		
...	9	Z1	166 364	..	STABILIZER	...		...	1
...	9	Z1	180 066	..	STABILIZER	...			1
...			164 717	..	BUS BAR, stabilizer	...			1
...	10	HD1	168 829	..	TRANSDUCER, current 1000A	...	1	...	1
...		PLG14	115 094	..	CONNECTOR & SOCKETS	...	1	...	1
...	11	CR6	208 405	..	CONTACTOR, def prp 30A 2P 24VDC Coil	...	1	...	1
...	12		173 605	..	BRACKET, mtg contactor	...	1	...	1
...	13	C21-23	163 906	..	CAPACITOR, 50 and 60Hz	...	3	...	3
...	14	T2	159 042	..	TRANSFORMER, control 50VA 24V 230/460/575 (60Hz)	...	1	...	1
...	14	T2	159 041	..	TRANSFORMER, control 50VA 24V 200/230/460 (60Hz)	...		...	1
...	14	T2	159 043	..	TRANSFORMER, control 50A 24V (50Hz)	...	1	...	1
...	15	TE1	159 244	..	PRIMARY BOX, (includes)	...	1	...	1
...	16		601 835	...	NUT, 10-32 brs	...	24	...	24
...	17		038 887	...	STUD, pri bd brs 10-32 x 1.375	...	24	...	24
...			010 913	...	WASHER, flat .218 ID brs	...	24	...	24
...			601 835	...	NUT, 10-32 brs	...	24	...	24
...			038 618	..	LINK, jumper term bd pri	...	8	...	8
...	18		159 034	..	HOLDER, fuse mintr	...	1	...	1
...	19		Fig 8-5	..	PANEL, rear w/components	...	1	...	1
...	20	F1	*156 065	..	FUSE, crtg .5A 600V time delay	...	1	...	1
...	21	W	160 760	..	CONTACTOR, def prp 40A 3P 24VAC	...	1		
...	21	W	160 793	..	CONTACTOR, def prp 60A 3P 24VAC	...		...	1
...	21	W	160 794	..	CONTACTOR, def prp 75A 3P 24V	...			1
...	22	CR4	◆140 750	..	SWITCH, reed	...	1	...	1
...	23		217 136	..	LABEL, warning electric shock	...	2	...	2
...	23		176 254	..	LABEL, general precautionary wordless,intl (CE models only)	...	2	...	2
...	24		163 533	..	BASE	...	1		
...	24		163 359	..	BASE	...		...	1
...	25	C1	230 732	..	CAPACITOR ASSEMBLY, Neg (includes)	...	1		
...			163 535	...	CAPACITOR, elctlt 16000uf 60VDC	...	6		
...		R6	230 730	...	RESISTOR ASSY, ww fxd	...	1		
...			162 817	...	BUS BAR, capacitor	...	2		
...			182 660	...	BUS BAR, mtg capacitor	...	2		
...	25	C1	230 756	..	CAPACITOR ASSEMBLY, Pos/Neg (includes)	...	1	...	1
...			163 535	...	CAPACITOR, elctlt 16000uf 60VDC	...	6	...	6
...		R6	230 730	...	RESISTOR ASSY, ww fxd	...	1	...	1
...			162 817	...	BUS BAR, capacitor	...	2	...	2
...			182 660	...	BUS BAR, mtg capacitor	...	4	...	4
...	27	T1	218 380	..	TRANSFORMER, pwr main 200/230/460	...	1		
...	27	T1	218 381	..	TRANSFORMER, pwr main 230/460/575	...	1		
...	27	T1	218 384	..	TRANSFORMER, pwr main 200/230/460	...		...	1
...	27	T1	218 385	..	TRANSFORMER, pwr main 230/460/575	...		...	1
...	27	T1	218 389	..	TRANSFORMER, pwr main 230/460/575	...			1
...	27	T1	218 382	..	TRANSFORMER, pwr main 380/400/440	...	1		
...	27	T1	218 387	..	TRANSFORMER, pwr main 380/400/440	...		...	1
...	27	T1	218 388	..	TRANSFORMER, pwr main 380/400/440	...			1

Item No.	Dia. Mkgs.	Part No.	Description	Quantity		
				Model		
				302	452	652
				402	602	852

**Figure 8-1 Main Assembly (452 Model Illustrated) (continued)**

.....	TP1,2	....	175 405	..	THERMOSTAT, NC (Included w/T1)	.....	2	....	2	....	2
.....	TP4,5	....	168 891	..	THERMOSTAT, NC (Included w/T1)	.....	2	....	2	....	2
.....	PLG13	....	218 413	..	HOUSING, plug pin/skt (service kit)	.....	1	....	1	....	1
.....	RC13	....	218 408	..	HOUSING, plug pin/skt (service kit)	.....	1	....	1	....	1
... 30	.....	.....	161 294	..	BRACKET, mtg rectifier	.....	2	....	2	....	2
... 31	.....	.....	Fig 8-2	..	PANEL, front w/components	.....	1	....	1	....	1
... 32	....	SR1	....	175 070	..	RECTIFIER, si diode (Fig 8-3)	.....	1			
... 32	....	SR1	....	192 672	..	RECTIFIER, SCR main (Fig 8-4)	.....				1
... 32	....	SR1	....	192 671	..	RECTIFIER, SCR main (Fig 8-4)	.....				1

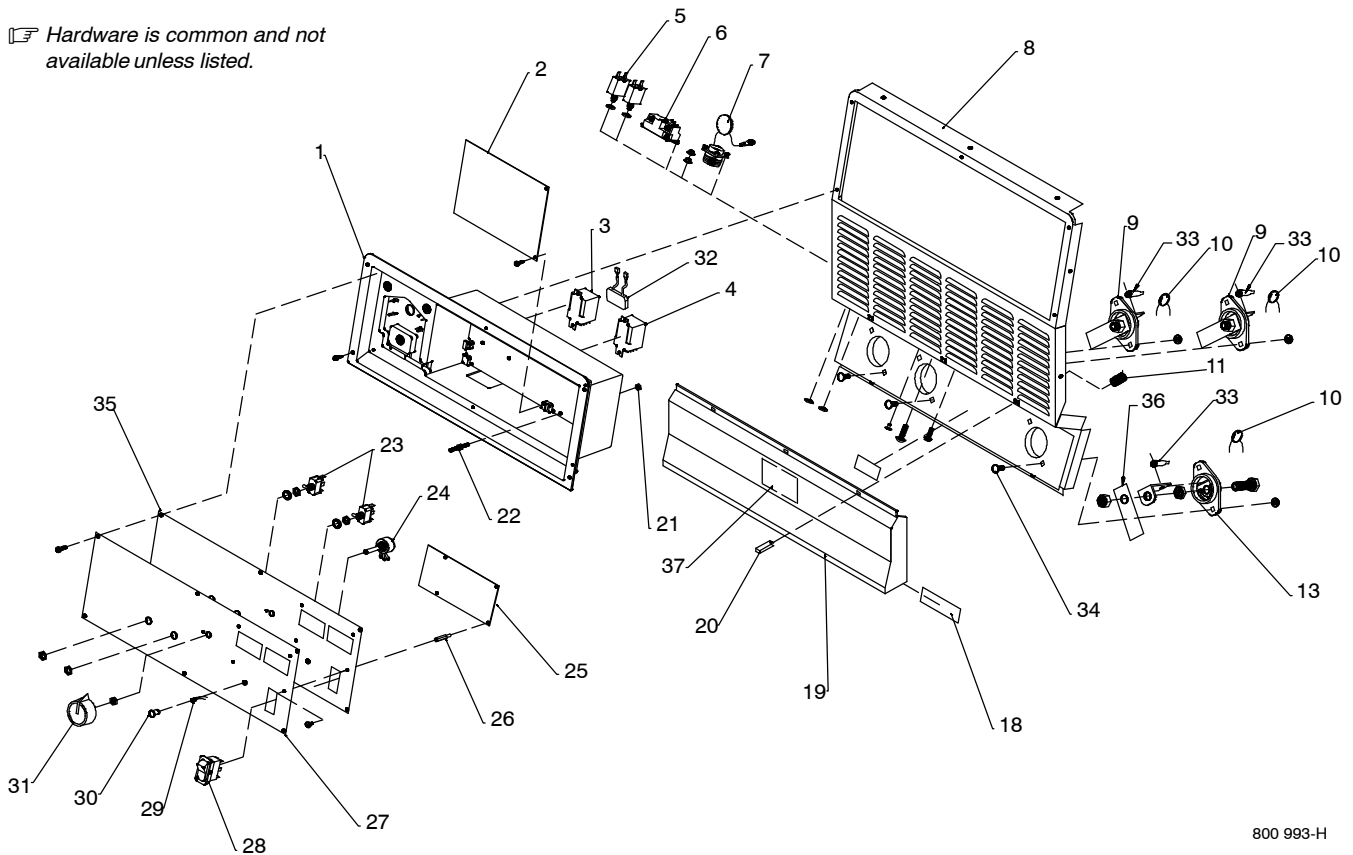
◆ Part of Option 195 048 Ground Current Sensor

+When ordering a component originally displaying a precautionary label, the label should also be ordered.

\*Recommended Spare Parts.

**To maintain the factory original performance of your equipment, use only Manufacturer's Suggested Replacement Parts. Model and serial number required when ordering parts from your local distributor.**

Hardware is common and not available unless listed.



800 993-H

Figure 8-2 Panel, Front w/Components (452 Model Illustrated)

Item No.	Dia. Mkgs.	Part No.	Description	Quantity		
				302	452	652
				402	602	852

Figure 8-2 Panel, Front w/Components (Fig 8-1 Item 31)

1		159 863	ELECTRONICS BOX	1	1	1
	PLG6	168 847	CONNECTOR & SOCKETS	1	1	1
	RC6	168 845	CONNECTOR & PINS	1	1	1
	PLG7	152 249	CONNECTOR & PINS	1	1	1
	RC7	168 846	CONNECTOR & SOCKETS	1	1	1
2	PC1	208 769	CIRCUIT CARD, control (60Hz)	1		
2	PC1	208 197	CIRCUIT CARD, control (60Hz)		1	
2	PC1	208 772	CIRCUIT CARD, control (60Hz)			1
2	PC1	231 166	CIRCUIT CARD, control (50Hz)	1		
2	PC1	231 160	CIRCUIT CARD, control (50Hz)		1	
2	PC1	231 170	CIRCUIT CARD, control (50Hz)			1
	PLG1	158 720	CONNECTOR & SOCKETS, (see Fig 7-3 & 4)			
	PLG3	169 240	CONNECTOR & SOCKETS	1	1	1
	PLG4	148 439	CONNECTOR & SOCKETS	1	1	1
	PLG5	152 249	CONNECTOR & SOCKETS	1	1	1
3	CR3	052 964	RELAY, encl 24VDC DPDT	1	1	1
4	CR5	006 393	RELAY, encl 24VAC DPDT	1	1	1
5	CB1,2	093 995	SUPPLEMENTARY PROTECTOR, man reset 1P 15A 250VAC2	2	2	2
6	RC9	604 176	RECEPTACLE, str dx grd 2P3W 15A 125V	1	1	1
7		203 778	CONNECTOR/CAPACITOR, w/leads (includes)	1	1	1
	RC8	143 976	RCPT w/SCKTS (service kit)	1	1	1
	C3,6,13,14	097 749	CAPACITOR, cer disc .05 uf 500 VDC strip	4	4	4
8		204 143	PANEL, front	1	1	1

Item No.	Dia. Mkgs.	Part No.	Description	Quantity		
				Model		
				302 402	452 602	652 852

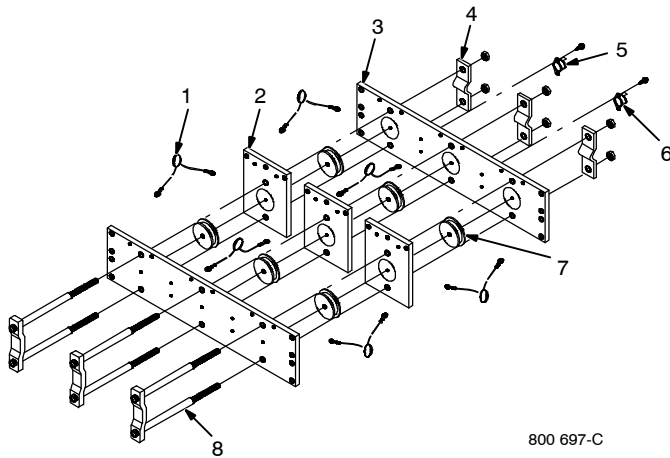
**Figure 8-2 Panel, Front w/Components (Fig 8-1 Item 31) (continued)**

... 9	POS	181 245	.. TERMINAL, pwr output red	2	2	2
... 10	C2,4,5	128 750	.. CAPACITOR, cer disc .1uf 500VDC	3	3	3
... 11		161 303	.. SPRING, cprsn .600 OD x .072 wire x 1.500 lg	3	3	3
... 13	NEG	181 246	.. TERMINAL, pwr output black	1	1	1
... 14		236 228	.. PLATE, control lower	1	1	1
... 18		217 865	.. LABEL, warning electric shock and reduced air	1	1	1
... 18		179 563	.. LABEL, electric shock/reduce air flow (CE models only)	1	1	1
... 19		+172 587	.. COVER, stud output	1	1	1
... 20		160 935	.. CLIP, spring	3	3	3
... 21		601 835	.. NUT, 10-32 brs	2	2	2
... 21		010 913	.. WASHER, flat .218 ID x .460 OD x .031thk brs	1	1	1
... 22		038 887	.. STUD, pri bd brs 10-32 x 1.375	1	1	1
... 23	S3,4	011 609	.. SWITCH, tgl SPDT 15A 125VAC	2	2	2
... 24	R1	198 087	.. POTENTIOMETER, CP std slot 1/T 2W 1K ohm	1	1	1
... 25	PC2	231 149	.. CIRCUIT CARD ASSY, display w/program	1	1	1
...	PLG10	153 501	.. CONNECTOR & SOCKETS	1	1	1
...	PLG11	148 439	.. CONNECTOR & SOCKETS	1	1	1
... 26		192 174	.. STAND-OFF	4	4	4
... 27			.. NAMEPLATE, (order by model and serial number)	1	1	1
... 28	S2	159 039	.. SWITCH, rocker SPDT 15A 125VAC	1	1	1
...	PLG2	185 626	.. CONNECTOR, body 56 series	1	1	1
... 29	PL2	159 522	.. LED, yellow	1	1	1
... 30		159 036	.. LENS, LED clear	1	1	1
... 31		171 007	.. KNOB, pointer	1	1	1
... 32	SN1	234 081	.. SNUBBER, assy	1	1	1
... 33		010 381	.. CONNECTOR, rectifier	2	2	2
... 34		005 107	.. BOLT, crg stl .250-20 x .750 GR5 pld	6	6	6
... 35		162 815	.. PANEL, front upper	1	1	1
... 36		228 672	.. LABEL, weld cable lug	3	3	3
... 37		227 980	.. LABEL, caution output terminal connection	1	1	1

+When ordering a component originally displaying a precautionary label, the label should also be ordered.

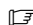
**To maintain the factory original performance of your equipment, use only Manufacturer's Suggested Replacement Parts. Model and serial number required when ordering parts from your local distributor.**

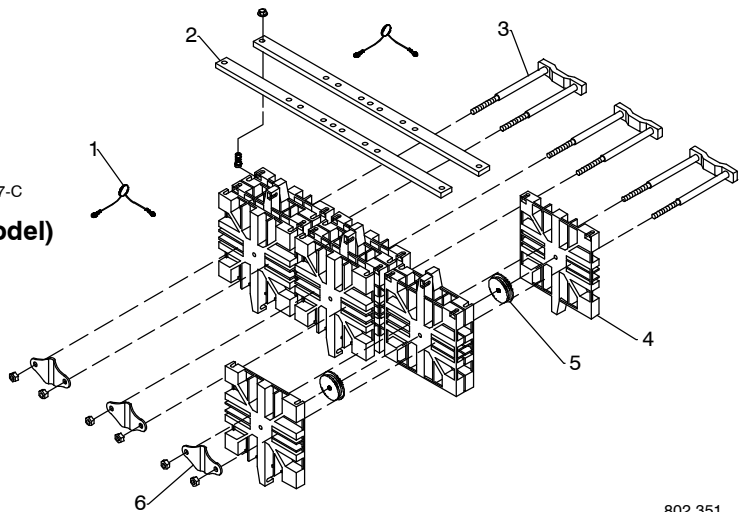
Item No.	Dia. Mkgs.	Part No.	Description	Quantity
<b>SR1 175 070 Figure 8-3 Rectifier, Si Diode (302 Model) (Fig 8-1 Item 32)</b>				
1	C7-12	048 420	CAPACITOR, cer disc .01uf 1000VDC	6
2		177 316	HEAT SINK, rect	3
3		177 317	HEAT SINK, rect	2
4		166 667	CLAMP, thyristor rect	3
5	TP3	242 651	THERMOSTAT, NC open 211F close 186F flange faston	1
6	TP6	206 083	THERMOSTAT, NC open 125F close 105F flange Horizontal	1
7	SCR1-6	161 668	THYRISTOR, SCR 300A 300V hockey puck	6
	PLG1	158 720	CONNECTOR & SOCKETS	1
8		188 692	CLAMP, thyristor rectifier 4.250	3



**Figure 8-3 Rectifier, Si Diode SR1 (302 Model)**

800 697-C

 Hardware is common and not available unless listed.



802 351

**Figure 8-4 Rectifier, SCR Main SR1 (452 & 652 Model)**

Item No.	Dia. Mkgs.	Part No.	Description	Quantity
<b>SR1 192 672 Figure 8-4 Rectifier, SCR Main (452 &amp; 652 Model) (Fig 8-1 Item 32)</b>				
1	C7-12	048 420	CAPACITOR, cer disc .01uf 1000VDC	6
2		191 989	BAR, mtg rectifier	2
3		188 691	CLAMP, thyristor rectifier 5.375	3
4		188 839	HEAT SINK, rectifier snowflake .800	12
5	SCR1-6	161 668	THYRISTOR, SCR 300A 300V hockey puck	6
5	SCR1-6	148 091	THYRISTOR, SCR 865A 300V hockey puck	6
6		166 667	CLAMP, spring thyristor rectifier 5.500	3
	PLG1	158 720	CONNECTOR & SOCKETS	1
	TP3	192 673	THERMOSTAT, rectifier	1
	TP6	192 674	THERMOSTAT, rectifier	1

**To maintain the factory original performance of your equipment, use only Manufacturer's Suggested Replacement Parts. Model and serial number required when ordering parts from your local distributor.**

Item No.	Dia. Mkgs.	Part No.	Description	Quantity
----------	------------	----------	-------------	----------

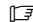
**Figure 8-5 Panel, Rear w/Components (Fig 8-1 Item 19)**

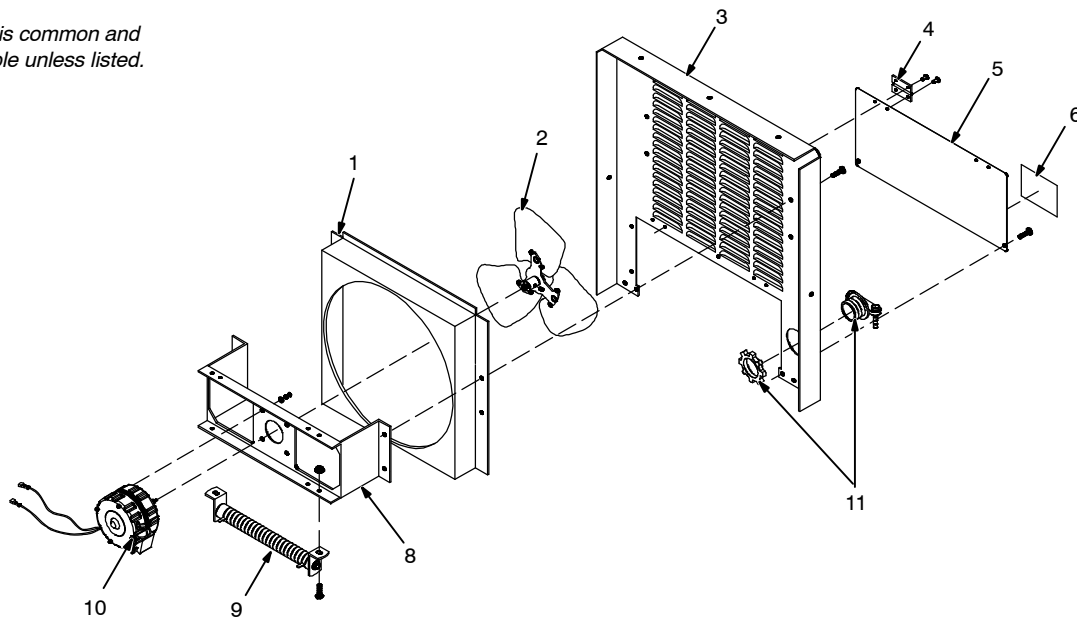
...	1	173 283	.. CHAMBER, plenum 14 in	1
...	2	180 165	.. BLADE, fan 14 in 3wg 28deg .375 bore CCW	1
...	3	162 807	.. PANEL, rear	1
...	4	168 343	.. HINGE, door primary	2
...	5	+162 818	.. DOOR, access primary	1
...	6	217 733	.. LABEL, warning electric shock & input power (EN/FR)	1
...	6	179 290	.. LABEL, warning electric shock input connection (CE models only)	1
...	8	124 274	.. BRACKET, mtg fan motor	1
...	9	R3	.. RESISTOR, WW fxd 375W 5 ohm	1
...	9	R7	♦♦114 808 .. RESISTOR, WW fxd 375W 5 ohm	1
...	10	FM	.. MOTOR, 1/12HP 230V 1550RPM 50/60Hz .83A	1
...	11	010 467	.. CONNECTOR, clamp cable 1.250	1

♦♦Part of Option 043 286 Additional Resistor

+When ordering a component originally displaying a precautionary label, the label should also be ordered.

**To maintain the factory original performance of your equipment, use only Manufacturer's Suggested Replacement Parts. Model and serial number required when ordering parts from your local distributor.**

 Hardware is common and not available unless listed.



800 707-E

**Figure 8-5 Panel, Rear w/Components**







# TRUE BLUE<sup>®</sup>

## WARRANTY

Effective January 1, 2010

(Equipment with a serial number preface of MA or newer)

This limited warranty supersedes all previous Miller warranties and is exclusive with no other guarantees or warranties expressed or implied.

### Warranty Questions?

Call  
1-800-4-A-MILLER  
for your local  
Miller distributor.

Your distributor also gives  
you ...

#### Service

You always get the fast,  
reliable response you  
need. Most replacement  
parts can be in your  
hands in 24 hours.

#### Support

Need fast answers to the  
tough welding questions?  
Contact your distributor.  
The expertise of the  
distributor and Miller is  
there to help you, every  
step of the way.

LIMITED WARRANTY – Subject to the terms and conditions below, Miller Electric Mfg. Co., Appleton, Wisconsin, warrants to its original retail purchaser that new Miller equipment sold after the effective date of this limited warranty is free of defects in material and workmanship at the time it is shipped by Miller. THIS WARRANTY IS EXPRESSLY IN LIEU OF ALL OTHER WARRANTIES, EXPRESS OR IMPLIED, INCLUDING THE WARRANTIES OF MERCHANTABILITY AND FITNESS.

Within the warranty periods listed below, Miller will repair or replace any warranted parts or components that fail due to such defects in material or workmanship. Miller must be notified in writing within thirty (30) days of such defect or failure, at which time Miller will provide instructions on the warranty claim procedures to be followed.

Miller shall honor warranty claims on warranted equipment listed below in the event of such a failure within the warranty time periods. All warranty time periods start on the delivery date of the equipment to the original end-user purchaser, and not to exceed one year after the equipment is shipped to a North American distributor or eighteen months after the equipment is shipped to an International distributor.

1. 5 Years Parts — 3 Years Labor
  - \* Original main power rectifiers only to include SCRs, diodes, and discrete rectifier modules
2. 3 Years — Parts and Labor
  - \* Engine Driven Welding Generators  
**(NOTE: Engines are warranted separately by the engine manufacturer.)**
  - \* Inverter Power Sources (Unless Otherwise Stated)
  - \* Plasma Arc Cutting Power Sources
  - \* Process Controllers
  - \* Semi-Automatic and Automatic Wire Feeders
  - \* Smith 30 Series Flowgauge and Flowmeter Regulators (No Labor)
  - \* Transformer/Rectifier Power Sources
  - \* Water Coolant Systems (Integrated)
3. 2 Years — Parts
  - \* Auto-Darkening Helmet Lenses (No Labor)
4. 1 Year — Parts and Labor Unless Specified
  - \* Automatic Motion Devices
  - \* CoolBelt and CoolBand Blower Unit (No Labor)
  - \* External Monitoring Equipment and Sensors
  - \* Field Options  
**(NOTE: Field options are covered for the remaining warranty period of the product they are installed in, or for a minimum of one year — whichever is greater.)**
  - \* Flowgauge and Flowmeter Regulators (No Labor)
  - \* RFCS Foot Controls (Except RFCS-RJ45)
  - \* Fume Extractors
  - \* HF Units
  - \* ICE Plasma Cutting Torches (No Labor)
  - \* Induction Heating Power Sources, Coolers, and Electronic Controls/Recorders
  - \* Load Banks
  - \* Motor Driven Guns (w/exception of Spoolmate Spoolguns)
  - \* PAPR Blower Unit (No Labor)
  - \* Positioners and Controllers
  - \* Racks
  - \* Running Gear/Trailers
  - \* Spot Welders
  - \* Subarc Wire Drive Assemblies
  - \* Water Coolant Systems (Non-Integrated)
  - \* Weldcraft-Branded TIG Torches (No Labor)
  - \* Work Stations/Weld Tables (No Labor)
5. 6 Months — Parts
  - \* Batteries
  - \* Bernard Guns (No Labor)
  - \* Tregaskiss Guns (No Labor)

6. 90 Days — Parts
  - \* Accessory (Kits)
  - \* Canvas Covers
  - \* Induction Heating Coils and Blankets, Cables, and Non-Electronic Controls
  - \* M-Guns
  - \* MIG Guns and Subarc (SAW) Guns
  - \* Remote Controls and RFCS-RJ45
  - \* Replacement Parts (No labor)
  - \* Roughneck Guns
  - \* Spoolmate Spoolguns

Miller's True Blue<sup>®</sup> Limited Warranty shall not apply to:

1. **Consumable components; such as contact tips, cutting nozzles, contactors, brushes, relays, work station table tops and welding curtains, or parts that fail due to normal wear. (Exception: brushes and relays are covered on all engine-driven products.)**
2. Items furnished by Miller, but manufactured by others, such as engines or trade accessories. These items are covered by the manufacturer's warranty, if any.
3. Equipment that has been modified by any party other than Miller, or equipment that has been improperly installed, improperly operated or misused based upon industry standards, or equipment which has not had reasonable and necessary maintenance, or equipment which has been used for operation outside of the specifications for the equipment.

MILLER PRODUCTS ARE INTENDED FOR PURCHASE AND USE BY COMMERCIAL/INDUSTRIAL USERS AND PERSONS TRAINED AND EXPERIENCED IN THE USE AND MAINTENANCE OF WELDING EQUIPMENT.

In the event of a warranty claim covered by this warranty, the exclusive remedies shall be, at Miller's option: (1) repair; or (2) replacement; or, where authorized in writing by Miller in appropriate cases, (3) the reasonable cost of repair or replacement at an authorized Miller service station; or (4) payment of or credit for the purchase price (less reasonable depreciation based upon actual use) upon return of the goods at customer's risk and expense. Miller's option of repair or replacement will be F.O.B., Factory at Appleton, Wisconsin, or F.O.B. at a Miller authorized service facility as determined by Miller. Therefore no compensation or reimbursement for transportation costs of any kind will be allowed.

TO THE EXTENT PERMITTED BY LAW, THE REMEDIES PROVIDED HEREIN ARE THE SOLE AND EXCLUSIVE REMEDIES. IN NO EVENT SHALL MILLER BE LIABLE FOR DIRECT, INDIRECT, SPECIAL, INCIDENTAL OR CONSEQUENTIAL DAMAGES (INCLUDING LOSS OF PROFIT), WHETHER BASED ON CONTRACT, TORT OR ANY OTHER LEGAL THEORY.

ANY EXPRESS WARRANTY NOT PROVIDED HEREIN AND ANY IMPLIED WARRANTY, GUARANTY OR REPRESENTATION AS TO PERFORMANCE, AND ANY REMEDY FOR BREACH OF CONTRACT TORT OR ANY OTHER LEGAL THEORY WHICH, BUT FOR THIS PROVISION, MIGHT ARISE BY IMPLICATION, OPERATION OF LAW, CUSTOM OF TRADE OR COURSE OF DEALING, INCLUDING ANY IMPLIED WARRANTY OF MERCHANTABILITY OR FITNESS FOR PARTICULAR PURPOSE, WITH RESPECT TO ANY AND ALL EQUIPMENT FURNISHED BY MILLER IS EXCLUDED AND DISCLAIMED BY MILLER.

Some states in the U.S.A. do not allow limitations of how long an implied warranty lasts, or the exclusion of incidental, indirect, special or consequential damages, so the above limitation or exclusion may not apply to you. This warranty provides specific legal rights, and other rights may be available, but may vary from state to state.

In Canada, legislation in some provinces provides for certain additional warranties or remedies other than as stated herein, and to the extent that they may not be waived, the limitations and exclusions set out above may not apply. This Limited Warranty provides specific legal rights, and other rights may be available, but may vary from province to province.





# Owner's Record

Please complete and retain with your personal records.

Model Name

Serial/Style Number

Purchase Date

(Date which equipment was delivered to original customer.)

Distributor

Address

City

State

Zip



## For Service

**Contact a DISTRIBUTOR or SERVICE AGENCY near you.**

Always provide Model Name and Serial/Style Number.

Contact your Distributor for:

Welding Supplies and Consumables

Options and Accessories

Personal Safety Equipment

Service and Repair

Replacement Parts

Training (Schools, Videos, Books)

Technical Manuals (Servicing Information and Parts)

Circuit Diagrams

Welding Process Handbooks

To locate a Distributor or Service Agency visit [www.millerwelds.com](http://www.millerwelds.com) or call 1-800-4-A-Miller

Contact the Delivering Carrier to:

File a claim for loss or damage during shipment.

For assistance in filing or settling claims, contact your distributor and/or equipment manufacturer's Transportation Department.

### Miller Electric Mfg. Co.

An Illinois Tool Works Company  
1635 West Spencer Street  
Appleton, WI 54914 USA

### International Headquarters—USA

USA Phone: 920-735-4505 Auto-Attended  
USA & Canada FAX: 920-735-4134  
International FAX: 920-735-4125

For International Locations Visit  
[www.MillerWelds.com](http://www.MillerWelds.com)

