



TM-4426K

2010-.03

Processes



MIG (GMAW) Welding

Flux Cored (FCAW)



Stick (SMAW) Welding



TIG (GTAW) Welding



Air Plasma Cutting and Gouging
with Spectrum® Unit



Air Carbon Arc (CAC-A) Cutting
and Gouging

Description



Engine Driven Welding Generator
(AC Available On AC/DC Models Only)

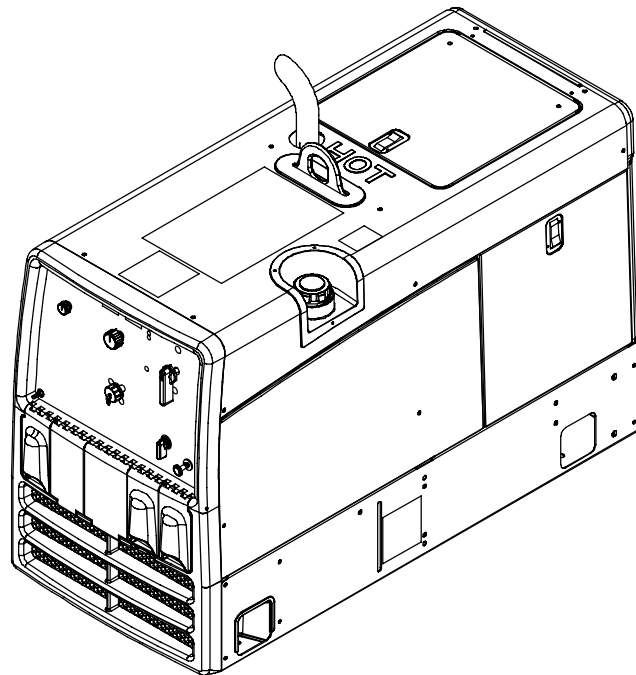
Trailblazer® 302

Trailblazer® 275 DC

PARTS LIST

Eff w/LE246322 And Following

For OM-4426 (215 348) Revision A Thru Z

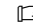


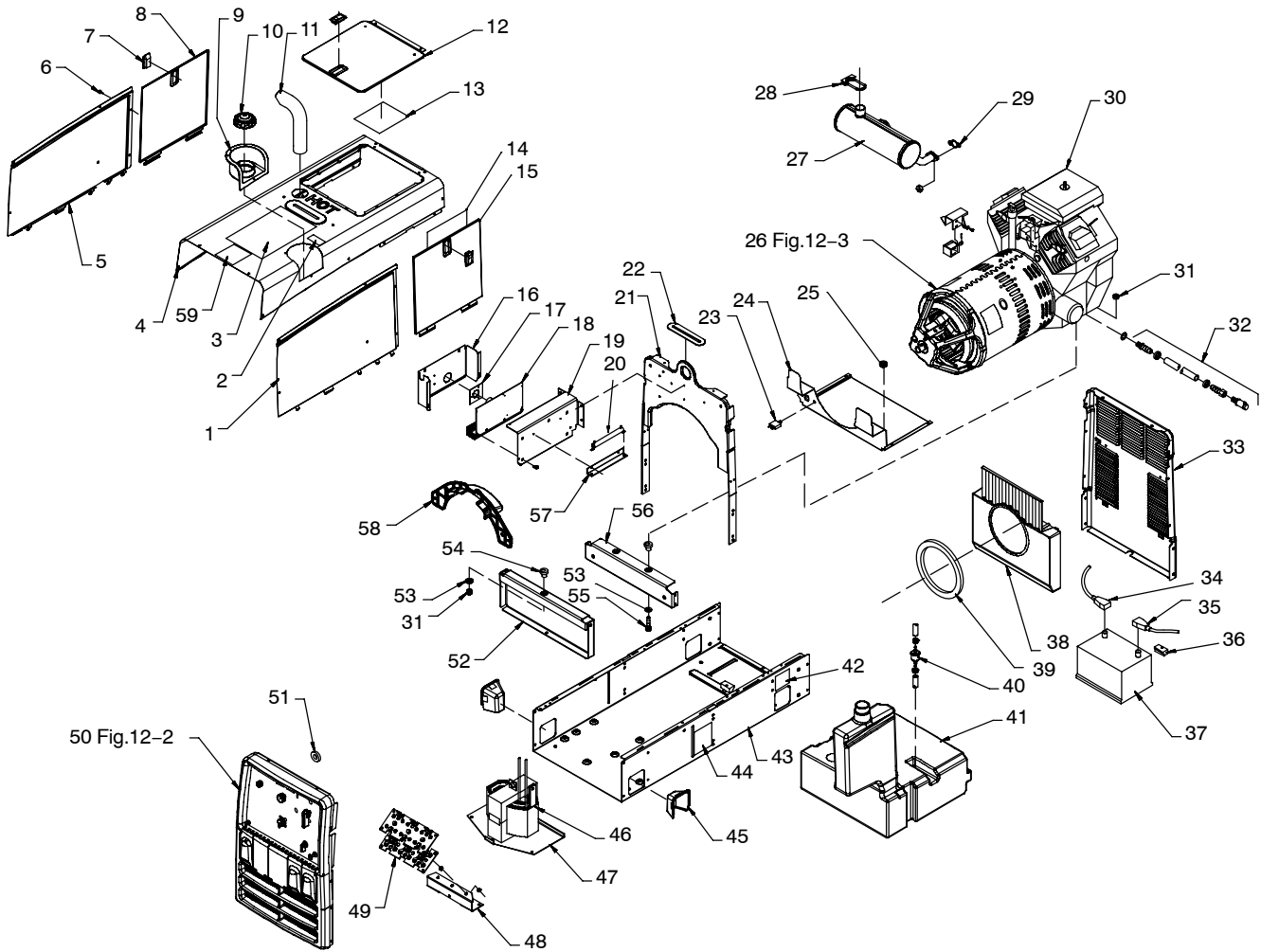
Visit our website at
www.MillerWelds.com

File: Engine Drive



SECTION 12 – PARTS LIST EFF W/LE246322 AND FOLLOWING

 Hardware is common and not available unless listed.



803 889-G

Figure 12-1. Main Assembly (Kohler Engine Shown)

Eff w/LE246322 And Following

Item No.	Dia. Mkgs.	Part No.	Description	Quantity
Figure 12-1. Main Assembly				
...	1	211366	Panel, Side RH	1
...	2	227725	Label, Use Gasoline Fuel Only (Bilingual)	1
...	3	227726	Label, Warning General Precautionary CSA (Bilingual) (Prior to LH140791Q)	1
...	3	233639	Label, Warning General Precautionary CSA (Bilingual) (Eff w/LH104791Q)	1
...	4	228432	Cover, Top Service Assy Trailblazer 275 & 302 Std	1
...		+230532	Cover Assy, Top	1
...	4	246139	Cover, Top Service Assy Trailblazer 275 & 302 EFI	1
...		+211367	Cover, Top	1
...	5	211365	Panel, Side LH	1
...	6	217395	Bumper, Rubber Press-in	10
...	7	211370	Latch, Door (Prior to LJ050306Q)	3
...	7	234008	Latch, Slide (Eff w/LJ050306Q)	2
...	8	238272	Door, Access Engine Side w/Latch (Service) (Prior to LJ050306Q)	1
...	8	237305	Door, Access Engine Side (Eff w/LJ050306Q)	1
...		220371	Seal, Rubber w/Adhesive .370 x .750 x 14.500	1
...	9	211398	Grommet, Plastic Neck Filler Fuel	1
...	10	220711	Cap, Tank Screw-on W/Vent	1
...	11	211527	Pipe, Exhaust Elbow (Prior to LJ390505H)	1
...	11	225759	Pipe, Exhaust Elbow (Eff w/LJ390505H0)	1
...	12	211369	Door Assy, Access Engine Top Std	1
...	12	246052	Door Assy, Access Engine Top EFI	1
...		211370	Latch, Door (Engine Top) (Eff w/Lj050306Q)	1
...	13	227864	Label, Engine Maintenance Subaru & Kohler (Bilingual)	1
...	14		Deleted	
...	15	238272	Door, Access Engine Side w/Latch (Service) (Prior to LJ050306Q)	1
...	15	237305	Door, Access Engine Side (Eff w/LJ050306Q)	1
...		220371	Seal, Rubber w/Adhesive .370 x .750 x 14.500	1
...		227004	Cover, PC Board Bkt (Prior to LH140406Q)	1
...	16	232077	Cover, PC Board Bracket (Eff w/LH140406Q)	1
...		215800	Gasket, Capacitor Support (Prior to LH140406Q)	1
...	17	232078	Gasket, Capacitor Support (Eff w/LH140406Q)	1
...	18	PC1 213257	Circuit Card Assy, Power (Prior to LH140406Q)	1
...	18	PC1 230855	Circuit Card Assy, Power (Eff w/LH140406Q)	1
...		215798	Bracket, Capacitor Support (Prior to LH140406Q)	1
...		C39 210639	Capacitor, Elctlt 1500 Uf 75 Vdc Can 1.40 Dia (Prior to LH140406Q)	1
...		C41 217632	Capacitor, Elctlt 1200 Uf 300 Vdc Can 2.00 Dia (Prior to LH140406Q)	1
...		215797	Bracket, Mtg PC Board (Prior to LH140406Q)	1
...	19	232075	Bracket, Mtg Pc Board (Eff w/LH140406Q)	1
...	20	R1 188067	Resistor, Ww Fxd 100 W 200 Ohm W/Clips (AC/DC Units Only)	1
...	21	211360	Upright, Base	1
...	22	205734	Seal, Weather Lift Eye	1
...	23	CB4 083432	Supplementary Pro, Man Reset 1p 10a 250vac Frict	1
...	24	211209	Cover, Tank Fuel (Prior to LH014498)	1
...	24	231118	Cover, Tank Fuel (Eff w/LH014498)	1
...	25	245520	Bushing, Snap-in Nyl 1.062 Id X 1.500 Mtg Hole (Models w/EFI Engine)	1
...	26	Figure 12-3	Generator Assembly	1
...	27	228681	Muffler, Exhaust Engine (Kohler Carburetor Engine)	1
...	28	245396	Muffler, Exhaust Engine (Kohler EFI Engine)	1
...	27	228680	Muffler, Exhaust Engine (Subaru Engine)	1
...	29	209057	Clamp, Muffler 1.625 Dia U Pld	1
...	29	217441	Muffler Gasket, (Subaru Engine)	2
...	29	189477	Muffler Gasket, (Kohler Engine)	2
...	30	229124	Engine, Koh Gas Elec Ch23s-ps-76628 (Kohler Carburetor Engine)	1
...	30	245649	Engine, Koh Gas Elec (EFI) Ech730 (Kohler EFI Engine)	1
...		F6 *021718	Fuse, Mintr Gl 30, Amp 32 Volt (Prior to LK430022H)	1
...		F6 215621	Fuse, 30 Amp Ato Type (Eff w/LK430022H)	1
...		VOLT REG *190249	Regulator, Voltage (Kohler)	1
...		TS1 199530	Solenoid, Throttle	1
...			Bracket, Mtg Solenoid (See Engine Parts List)	1

Eff w/LE246322 And Following

Item No.	Dia. Mkgs.	Part No.	Description	Quantity
Figure 12-1. Main Assembly (Continued)				
		180096	Tune-up & Filter Kit Kohler 20 HP (Prior to LG074229) (includes)	1
		*067272	Air Filter Element	1
		*066698	Oil Filter	1
		*215985	Filter/Clamps, Fuel 1/4 in Line	1
		*067007	Spark Plug	2
		*067273	Air Filter Wrapper	1
		230015	Tune-up & Filter Kit Kohler 23 HP (Eff w/LG074229) (includes)	1
		*230016	Air Filter Element	1
		*066698	Oil Filter	1
		*215985	Filter/Clamps, Fuel 1/4 in Line	1
		*067007	Spark Plug	2
		*230017	Air Filter Wrapper	1
		246115	Tune-up & Filter Kit, Kohler (ECH730)	1
		*230016	Air Filter Element	1
		*066698	Oil Filter	1
		*246117	Filter/Clamps, Fuel 1/4 in Line (Primary)	1
		*246123	Filter, Fuel W/Clamps (Secondary)	1
		*067007	Spark Plug	2
		*230017	Air Filter Wrapper	1
30		218072	Engine, Subaru Gas Elec Performer Ohv (Subaru)	1
	F6	*021718	Fuse, Mintr GI 30, Amp 32 Volt	1
		*198756	Pump, Fuel	1
	VOLT REG	*198778	Regulator, Voltage (Subaru)	1
	S5	198757	Switch, Low Oil Pressure	1
		190827	Boot, Solenoid	1
		*206473	Washer, Seal Oil Copper M14id x M19.500d	1
		237857	Filter, Fuel In-line .250 Subaru	1
		199062	Tune-up & Filter Kit (Subaru) (includes)	1
		*198755	Element, Air Filter	1
		*198754	Oil Filter	1
		*241408	Filter, Fuel W/Clamps	1
		*198777	Spark Plug	2
31		167788	Nut, 375-16 .56hex .34h Stl Pld Sem Cone Wshr.88d	3
32		208003	Hose, Oil W/Fittings And Valve (Kohler Engine)	1
32		208004	Hose, Oil W/Fittings And Valve (Subaru Engine)	1
33		211364	Panel, Rear	1
34		082319	Cable, Bat Neg 17.75 No 4 Awg W/Clamp & .343 Rng (Prior to LF209429)	1
34		245133	Cable, Battery Negative (15 In) (Eff w/LF209429)	1
35		173921	Cable, Bat Pos 28.00 No 4 Awg W/Clamp & .312 Rng (Prior to LF209429)	1
35		245134	Cable, Battery Positive (25 In) (Eff w/LF209429)	1
36		182935	Hold Down, Battery	2
37		167677	Battery, Stor 12v 430 Crk 75 Rsv Gp 58 Maint Free	1
38		211394	Baffle, Engine Air	1
39		216641	Seal, Engine Air Baffle	1
40		215984	Fuel Filter	1
41		236562	Tank, Fuel 12.0 Gal W/Sender (includes)	1
		124253	Bushing	1
		226600	Ftg, Stand Pipe .250 X 6.10 Lg	1
		238061	Sender, Fuel Gauge (includes)	1
		228054	Gasket, Fuel Sender/Fuel Tank	1
42		227913	Label, Warning Battery Explosion Can Blind (Bilingual)	1
43		211356	Pan, Base	1
44		227912	Label, Warning Do Not Weld On Base/Fuel Level (Bilingual)	2
45		211355	Cover, Base	2
46	DC-Z	212699	Stabilizer Assy, (Includes)	1
47		214824	Plate, Mtg Stabilizer	1
48		211091	Bracket, Mtg Rectifier (Prior to LG094548)	1
48		228087	Bracket, Mtg Rectifier (Eff w/LG094548)	1
49	SR1	202222	Rectifier, Si 3ph 300 Amp 400 Piv 100% Duty Cycle (Prior to LG094548)	1
49	SR1	225516	Rectifier, Si 3ph 300 Amp 400 Piv 100% Duty Cycle (Eff w/LG094548)	1

Eff w/LE246322 And Following


Item No.	Dia. Mkgs.	Part No.	Description	Quantity
Figure 12-1. Main Assembly (Continued)				
... 50	Figure 12-2	.. Panel, Front w/Components
... 51 CT1 217844	.. Xfmr, Current 1
... 52 211358	.. Bracket, Mtg Generator 1
... 53 010954	.. Washer, Flat .406idx1.250odx.125t Stl Pld 3
... 54 214556	.. Mount, Vibration 3
... 55 127595	.. Screw, 375-16x2.50 Hex Hd-pln Gr5 Pld 2
... 56 211210	.. Bracket, Mtg Engine (Kohler Engine) 1
... 56 211213	.. Bracket, Mtg Engine (Subaru Engine) 1
... 57 230047	.. Bracket, Resistor 1
... 58 215873	.. Shroud, Air Bypass (Prior to LH014498) 1
... 58 225411	.. Shroud, Air Bypass (Eff w/LH014498) 1
... 59 233088	.. Label, Danger Using A Generator Indoors Can Kill You In Minutes (Unit) (Eff w/ LH 140791Q) 1
..... PC3 148021	.. Circuit Card Assy, Filter HF (Prior to LF134660) 1
..... PC5 148030	.. Circuit Card Assy, Filter HF (Prior to LF134660) 1
..... 211092	.. Baffle, Stab (Prior to LG094548) 1

*Recommended Spare Parts.

- + When ordering a component originally displaying a precautionary label, the label should also be ordered. Order label individually or as part of Label Kit 217221.

To maintain the factory original performance of your equipment, use only Manufacturer's Suggested Replacement Parts. Model and serial number required when ordering parts from your local distributor.

Eff w/LE246322 And Following

 Hardware is common and not available unless listed.

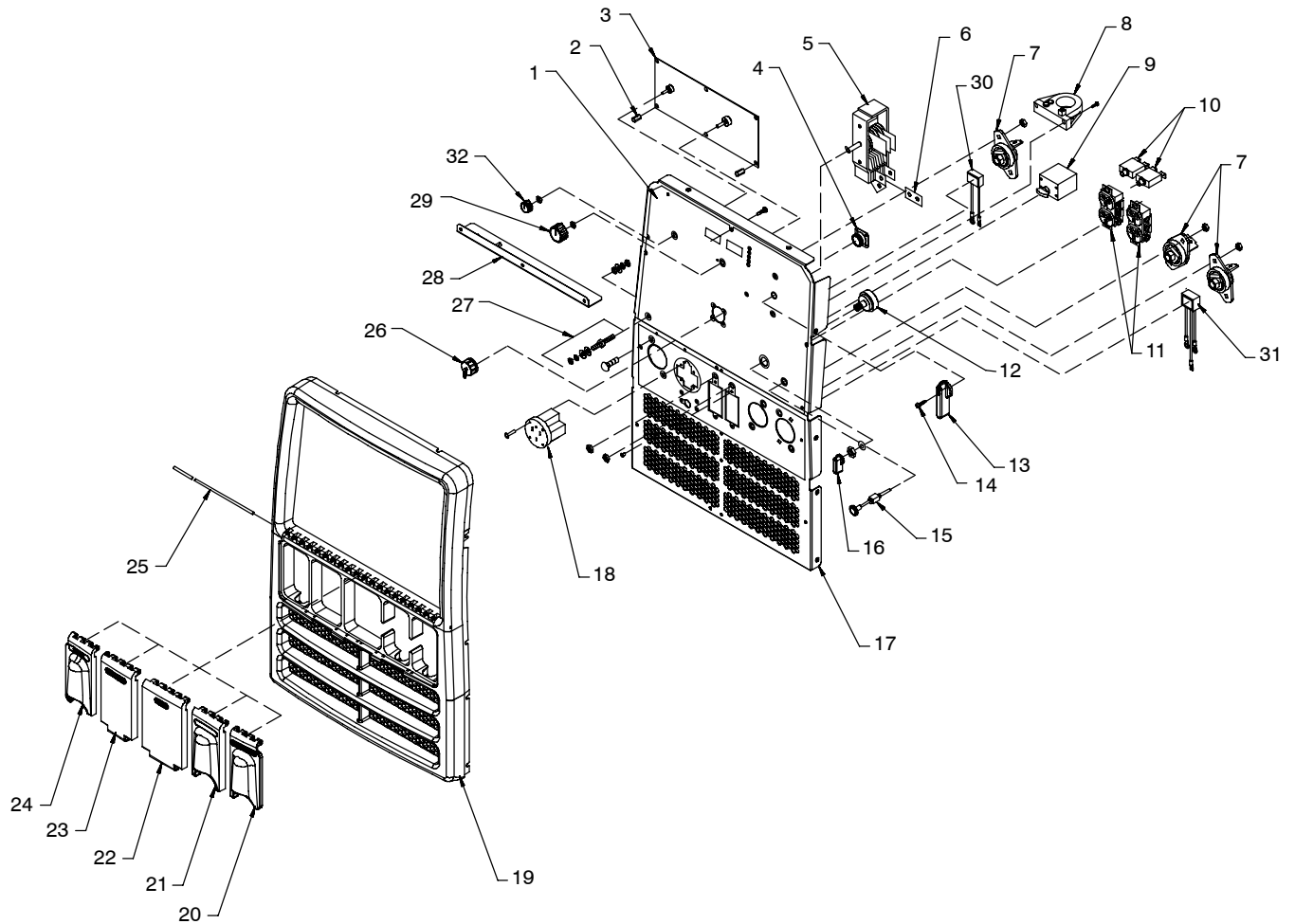


Figure 12-2. Panel, Front w/Components

803 888-D

Eff w/LE246322 And Following

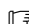
Item No.	Dia. Mkgs.	Part No.	Description	Quantity
Figure 12-2. Panel, Front w/Components (Figure 12-1 Item 50)				
...	1		Nameplate (Order By Model & Serial Number)	1
...	2	190512	Stand-off, No 6-32 X .640 Lg .250 Hex Al Fem	2
...	3	PC2 221756	Circuit Card Assy, Control (includes) (Prior to LJ390195Q)	1
...	3	PC2 240605	Circuit Card Assy,Control W/Shield (includes) (Eff w.LJ390195Q)	1
		221479	Shield, PCB Protective Anti Static 4.813x12.750	1
...	4	RC4 134735	Conn, Circ Ms/Cpc 14skt Size 20 Rcpt Panel Pushin	1
...	5	S1 213440	Switch, Changeover (AC/DC Units Only)	1
...	6	086075	Bus Bar (AC/DC Units Only)	1
...	7	CC, CV, WORK 241433	Terminal, Pwr Output Black (AC/DC Units Only)	3
...	7	POS, WORK 241433	Terminal, Pwr Output Black (DC Units Only)	2
...	8	LEM 168829	Transducer, Current 1000a Module Max Open Loop	1
...	9	CB1 218591	Supplementary Protector, Man Reset 2p 50a 240vac	1
...	10	CB2 093996	Supplementary Pro, Man Reset 1p 20a 250vac Frict	1
...	10	CB3 093996	Supplementary Pro, Man Reset 1p 20a 250vac Fric	1
...	11	RC2, RC3 222091	Rcpt, Str Dx Grd 2p3w 20a 125v *5-20r	2
...	11	GFCI2, GFCI3 ♦222093	Rcpt, Str Dx Grd 2p3w 20a 125v GFCI	2
...	12	S2 217680	Switch, Ignition 4 Position W/Out Handle	1
...	13	218606	Handle, Switch Range (AC/DC Units Only)	1
...	14	220804	Screw, 010-32x .50 Btn Hd-soc Stl Pld Patch (AC/DC Units Only)	1
...	15	211452	Control, Push/Pull Snap-in 42.000 W/1.750 Extension (Subaru)	1
...	15	221516	Control,Push/Pull Snap-in 36.000 W/1.750 Extension (Kohler)	1
...	16	207073	Lever, Ignition Switch	1
...	17	212977	Panel, Front	1
...	18	RC1 182954	Rcpt, Str 3p4w 50a 125/250v Flush Mtg *14-50	1
...	19	215987	Bezel Assembly (AC/DC Units) (Includes)	1
...	19	217068	Bezel Assembly (DC Units) (Includes)	1
...	20	216775	Cover, Output Stud Wire	1
...	21	213914	Cover, Output Stud Stick/Tig	1
...	22	216773	Cover, Receptacle Duplex 120v	1
...	23	216774	Cover, Receptacle Full Kva 120/240v	1
...	24	216772	Cover, Output Stud Work (AC/DC Units)	1
...	24	216771	Cover, Output Stud Negative (DC Units)	1
...	25	211405	Pin, Hinge	1
...	26	170391	Conn, Circ Ms Protective Cap Size 20 Nylon	1
...	27	197203	Grounding Stud Assy, Brass (includes)	1
		083030	Stud, Brs .250-20 X 1.750 W/Hex Collar	1
		010915	Washer, Flat .257idx0.640odx.031t Brs	2
		163167	Washer, Lock .254idx0.489odx.062t Sst Split.250	1
		601836	Nut, 250-20 .50hex .19h Brs	1
...	28	223197	Baffle, Stab (Eff w/LG094548)	1
...	29	207075	Knob, Pointer 1.625 Dia.	1
...	30	C49 222064	Capacitor, Polye Met Film .1 Uf 500 Vdc 10% (Eff w/LF134660)	1
...	31	C48 222065	Capacitor Module, Polye Met Film .1 Uf 500 Vdc 10% (Eff w/LF134660)	1
...	32	207080	Knob, Pointer 1.125 Dia.	1

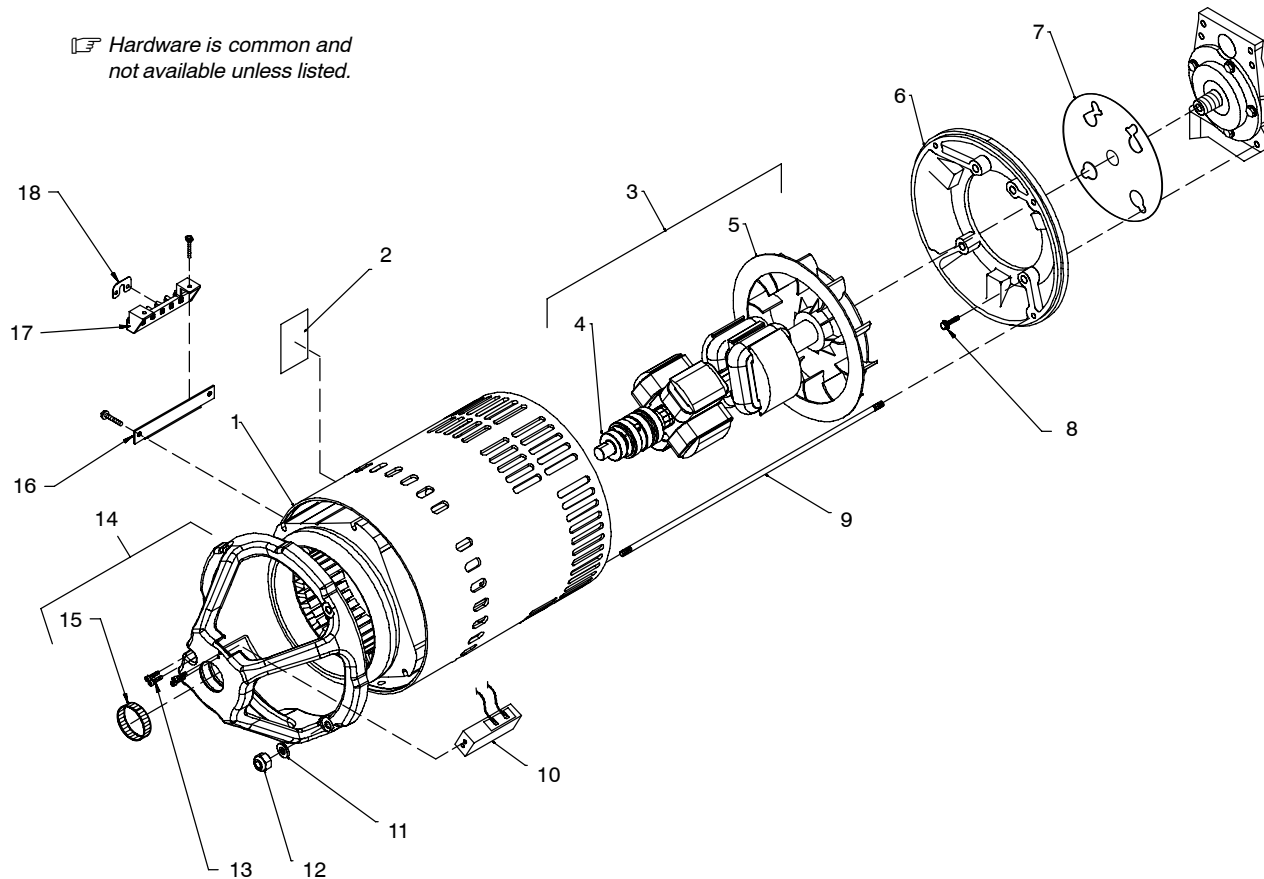
♦ Optional

To maintain the factory original performance of your equipment, use only Manufacturer's Suggested Replacement Parts. Model and serial number required when ordering parts from your local distributor.

Eff w/LE246322 And Following

Item No.	Part No.	Description	Quantity
Figure 12-3. Generator (Figure 12-1 Item 26)			
...	1
...	1
...	2
...	3
...	4
...	5
...	6
...	7
...	8
...	9
...	10
...	11
...	12
...	13
...	14
...	14
...	15
...	14
...	15
...	16
...	17
...	18

 Hardware is common and not available unless listed.



803 887-B

Figure 12-3. Generator

+ When ordering a component originally displaying a precautionary label, the label should also be ordered. Order label individually or as part of Label Kit 217221.

Eff w/LE246322 And Following

☞ Some wiring harness components (switches, relays, circuit breakers) are also referenced elsewhere in this parts list. Purchase components separately or as part of the associated wiring harness.

Item No.	Dia. Mkgs.	Part No.	Description	Quantity
Wiring Harnesses				
.....		217875 ..	Harness, Wrg Ignition (includes)	1
.....	PLG 15 ..	113752 ..	Conn, Rect Mini 045 10skt 2row Plug Cable Lkg	1
.....	RC 5	113634 ..	Conn, Rect Univ 084 6p/S 3row Rcpt Cable/Panel Lkg	1
.....	PLG 24 ..	117865 ..	Conn, Rect Mini 045 14skt 2row Plug Cable Lkg	1
.....	PLG 8	177859 ..	Conn, Body 5 Terminal	1
.....		202660 ..	Conn, Push 4 Wire 12-16strnd 12-18sld 16-22tinstrnd	1
.....		218733 ..	Harness, Remote Control 14Pin (includes)	1
.....	RC 4	134735 ..	Conn, Circ Ms/Cpc 14skt Size 20 Rcpt Panel Pushin	1
.....	PLG 14	113751 ..	Conn, Rect Mini 045 8skt 2row Plug Cable Lkg	1
.....	CB 4	083432 ..	Supplementary Pro, Man Reset 1p 10a 250vac Frict	1
.....		218729 ..	Harness, Wrg Power Board (includes)	1
.....	PLG 27	176121 ..	Conn, Rect Univ 084 2p/S 1row Plug Cable Lkg	1
.....	PLG 25	114063 ..	Conn, Rect Univ 084 4p/S 1row Plug Cable Lkg	1
.....	PLG 31	114063 ..	Conn, Rect Univ 084 4p/S 1row Plug Cable Lkg	1
.....	PLG 26	066104 ..	Conn, Rect Univ 084 6p/S 3row Plug Cable Lkg	1
.....		218731 ..	Harness, Wrg Interconnecting (includes)	1
.....	PLG 17	117037 ..	Conn, Rect Mini 045 2skt 2row Plug Cable Lkg	1
.....	PLG 23	117037 ..	Conn, Rect Mini 045 2skt 2row Plug Cable Lkg	1
.....	PLG 21	113752 ..	Conn, Rect Mini 045 10skt 2row Plug Cable Lkg	1
.....	PLG 16	116513 ..	Conn, Rect Mini 045 12skt 2row Plug Cable Lkg	1
.....		217747 ..	Plugs, w/Leads (includes)	1
.....	PLG 6	113750 ..	Conn, Rect Mini 045 4skt 2row Plug Cable Lkg	1
.....	PLG13	113750 ..	Conn, Rect Mini 045 4skt 2row Plug Cable Lkg	1
.....		217305 ..	Harness, Wrg Interconnecting (AC/DC Units) (includes)	1
.....	PLG 12	130693 ..	Conn,Rect Mini 045 5skt 1row Plug Cable Lkg	1
.....	PLG5	135556 ..	Plug, Engine	1