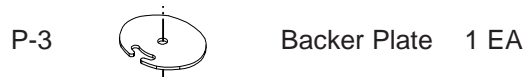
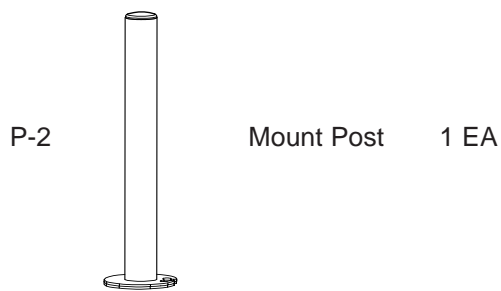
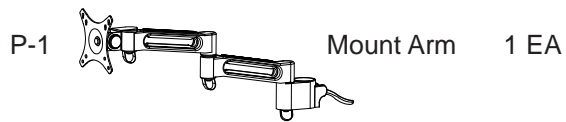


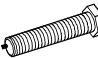




66606

Long Grommet Monitor Mount

Parts List



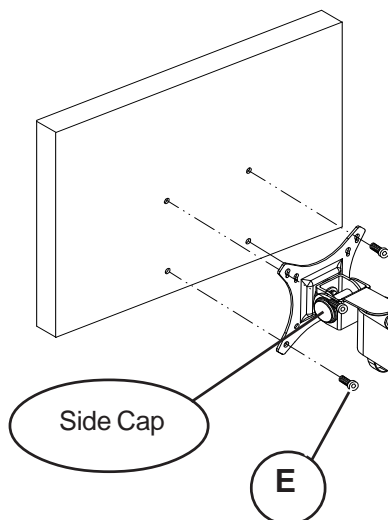
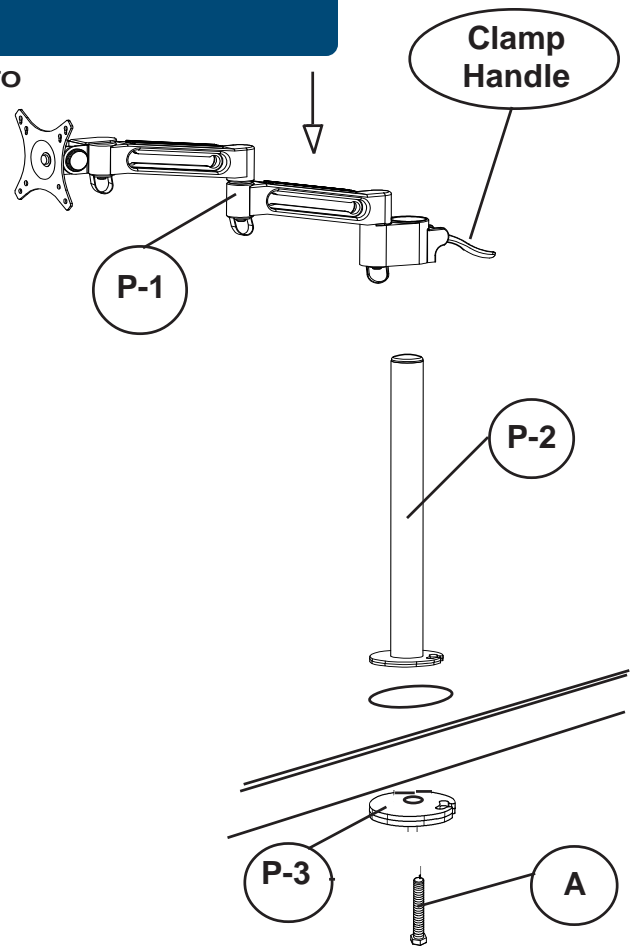
Hardware List

A		Hex Head Bolt	1 EA
B		Wrench	1 EA
C		Tension Set Wrench	2 EA
D		Allen Wrench	1EA
E		Monitor Screw	4 EA

Assembly Diagram

READ THROUGH INSTRUCTIONS FROM BEGINNING TO END BEFORE STARTING TO ASSEMBLE UNIT.

1. Separate and identify all parts.
2. Remove the plastic grommet, if any, from your table's electrical cut-out.
3. Rout all your wires in the electrical cut-out before you install your new mount.
4. Place the Mount Post (P-2) on top of the electrical cut-out and arrange your wires in the base's wire slot. Place the Backer Plate (P-3) under the table's top and align the wire slots.
5. Insert the Hex Head Bolt (A) through the Backer Plate (P-3) and thread it into the base of Mount Post (P-2). Tighten the Hex Head Bolt (A) using Wrench (B).
6. Open the clamp handle on the Mount Arm (P-1) and insert the Mount Post (P-2) into the clamp ring. Set to your desired height and push the clamp handle down to lock in place.



7. Attach your flat screen monitor using 4 Monitor Screws (E). Use Allen Wrench (D) to tighten.
8. Pop the two side caps off the mount and use the two Tension Set Wrenchs (C) to adjust the tension of the pivot.
9. Replace caps when tension has been set.