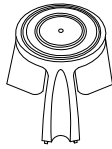
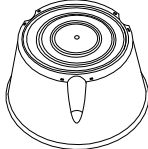
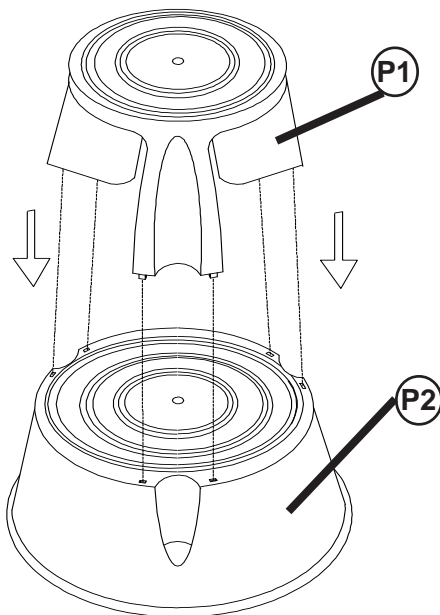


#34723 Step Stool

Part	Drawing	Description	Qty
P1		Seat	1EA
P2		Base	1 EA



- 1.) Identify and separate all parts.
- 2.) Line up the lock tabs on the bottom legs of Seat (P1) with the holes in the top of Base (P2). Snap the Seat (P1) into the Base (P2).

Missing Parts or UPS Damaged Parts
For Your Convenience you can
EMAIL us at
support@moorecoinc.com
24HOURS 7 DAYS A WEEK