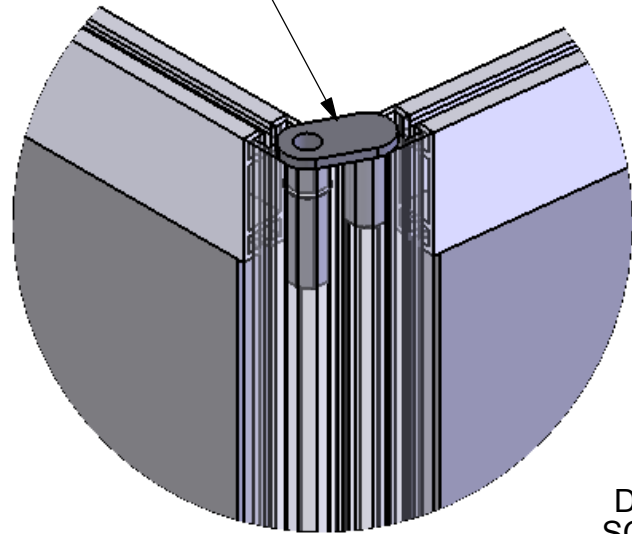


UPPER HINGE CONNECTOR



Installation Instructions

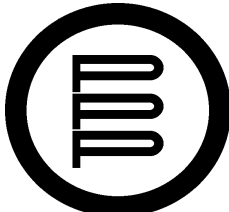
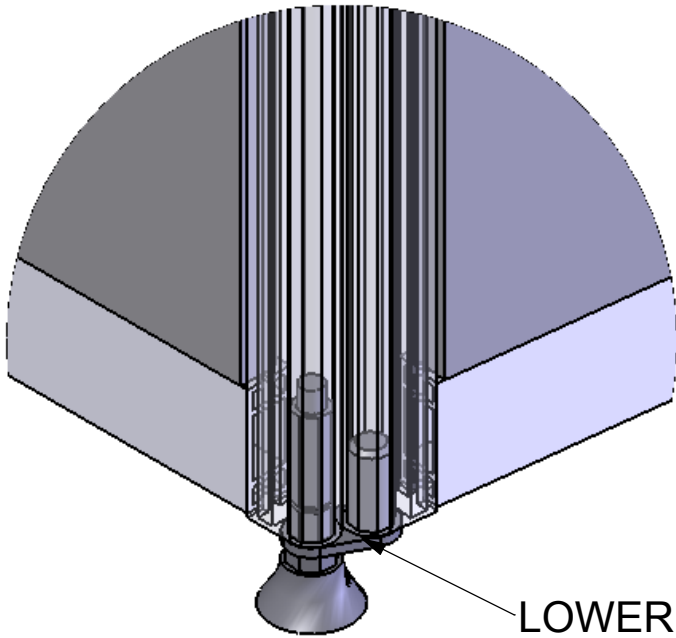
Product name **EXHIBIT PANELS**
Model **EP3**

HARDWARE INCLUDED
- Hinge connector (2)

INSTALLATION STEPS

1. Set partition panels on lower hinge connector.
2. Install upper hinge connector and tap with mallet to ensure they are fully engage
3. Add additional panels in same manner.

DETAIL B
SCALE 1 : 2



17929 S. Susana Road, Compton, CA 90224
Phone 800.496.0204 Phone 310.639.0390 Fax 310.639.6013
www.peterpepper.com e-mail: info@peterpepper.com