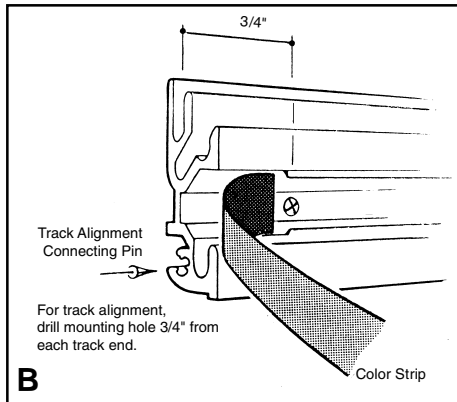
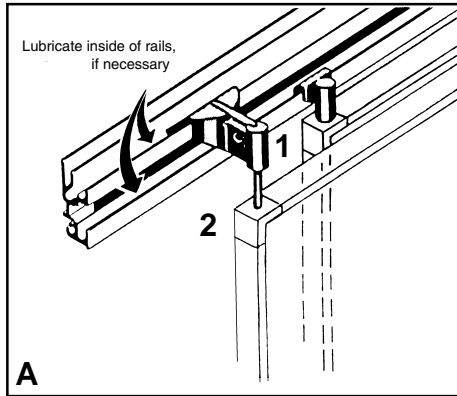
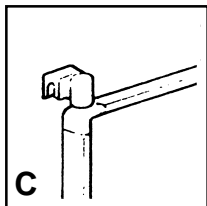


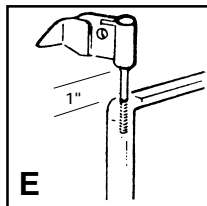
TACTICS PLUS Installation Instructions



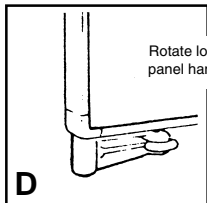
Level 1 and level 2 hangers easily turn for reversing any panel or mounting any panel across the corner ▼



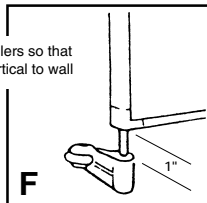
Level 1 Top



Level 2 Top



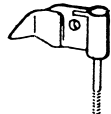
Level 1 Bottom



Level 2 Bottom



Level 1



Level 2

Track Mounting •

1. The Wall Track is pre-drilled. Fasteners included are suitable for most dry-wall installations. However, the installer is to make the final determination as to the use of appropriate fastening devices.
2. The Wall Track may be mounted at any height to fit your requirements. Recommended mounting height of the Wall Track is 79" from the floor to the center-line of the mounting holes. This allows 36" from the floor to the bottom edge of the panels.

3. Measure length of wall on which track is to be mounted.
Note: End-caps, if installed, add 3/8" to each end of the track (3/4" total). As necessary, deduct 3/8" per cap from ends of track for proper fit. If installing end-caps, secure to track prior to mounting track to wall.

The track connector pin must be used to align adjoining tracks end-to-end, insert connecting pin half way into hole provided.

- Note: For adequate alignment and support, be certain a hole is within 3/4" of each end. See illustration B.*

4. Mount track to wall at selected height, utilizing the pre-drilled holes. *Be certain track is mounted 'level'.* Shimming may be necessary to prevent the track from following any uneven wall contours.

5. Insert color strip into groove in track end. See illustration B.
Note: Due to variations in tolerances, it may be necessary to insert the color strip into the groove per alternate method 5a.

5a. Alternate Method

Cut color strip to desired length and place strip into lower groove. Deflect top edge of color strip so that it 'snaps' into upper groove.

Panels •

1. To hang 'Level 1' panels, see illustrations C & D. Thread Level 1 top hangers and lower rollers completely into frame.
2. To hang 'Level 2' panels, see illustrations E & F. Thread Level 2 top hangers and lower rollers into frame until top thread is level with frame surface, leaving 1" of shaft showing.
3. See illustrations D & F for proper roller position.
4. Panels should glide smoothly along track. If additional track lubrication is necessary, apply a thin, even coating of lubricant to inside of rail. See illustration A.

CAUTION : THESE INSTRUCTIONS ARE INTENDED FOR **DRYWALL INSTALLATION ONLY!** IF INSTALLATION IS TO BE OTHER THAN DRYWALL, THE INSTALLER SHALL USE APPROPRIATE HARDWARE FOR THE WALL STRUCTURE.

PLEASE NOTE: THESE INSTRUCTIONS ARE SUBJECT TO CHANGE WITHOUT NOTICE.



Peter Pepper Products, Inc. • T: 310.639.0390 x 7 • F: 310.639.6013 • E: customerservice@peterpepper.com