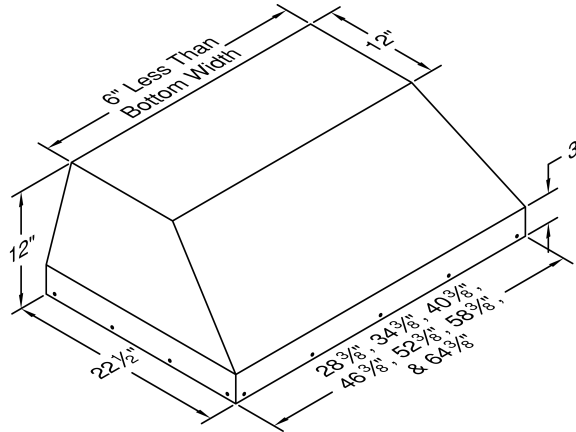


### BH358PSLD

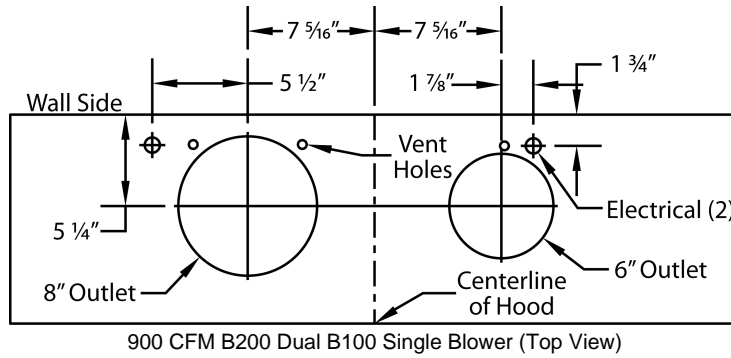
Halogen lights. This model is not available with heat lamps.

#### Dimensional Information

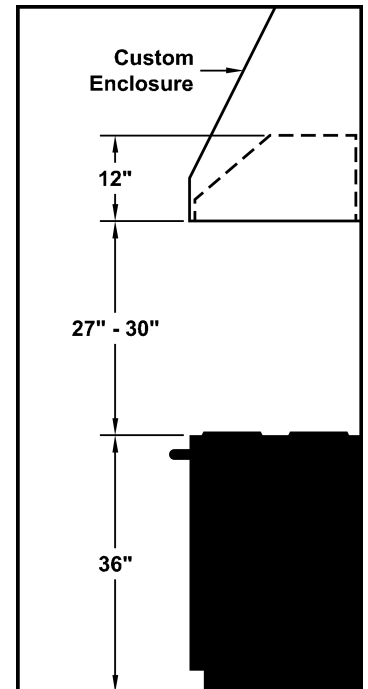
Width	58.375
Depth	22.5
Height	12.0
CFM @ 0.0" SP	900.0
Sones	6.3
Amps	6.4
# Lights	4.0



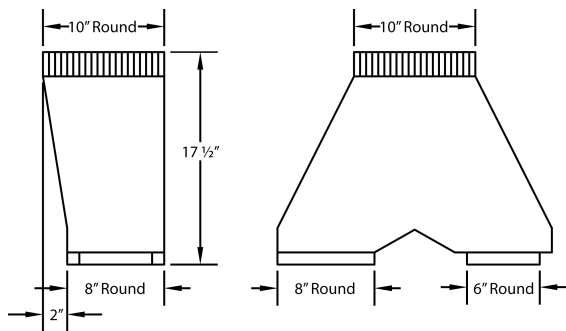
#### Connection Diagram



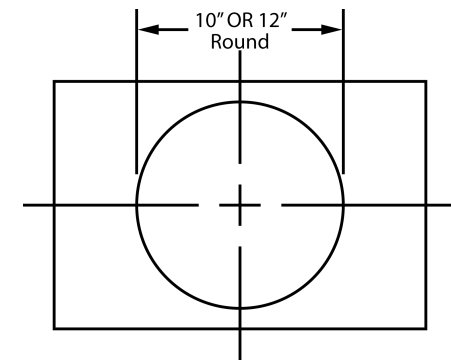
#### Recommended Mounting Height\*



\*Exceeding recommended mounting height may compromise performance.



VP562 Transition (Optional) For B300 (B200 Dual Blower B100 Single Blower)



VP562 transition centers outlet over top of hood.

#### Electrical/Mechanical Specifications For Blower Unit

Model	Volts	Amps*	Hz	RPM	CFM SP@0.0"	Equivalent CFM	CFM SP@0.1"	CFM SP@0.2"	CFM SP@0.3"	Minimum Round Duct Size	Sones <sup>#</sup>
B200 Dual B100 Single	115.0	4.4	60.0	1550.0	900.0	1350.0	804.0	725.0	655.0	10" (79 sq. in.)	6.3

+ This model is equipped with halogen lighting: (2 lights: 30" - 41", 3 lights: 42" - 53", 4 lights: 54" - 66").

\$ Because the Magic Lung® blower uses centrifugal filtration rather than conventional baffle or mesh filters, the Magic Lung® blower can handle cooking equipment with higher cubic feet per minute (CFM) requirements and can deliver equivalent CFM much more efficiently than other filtration systems. When comparing the Magic Lung® with other blower units made by other manufacturers, use the "Equivalent CFM".

# Ratings in accordance with the Standard Test Code by the Energy Systems Laboratory of the Texas Engineering Experiment Station.