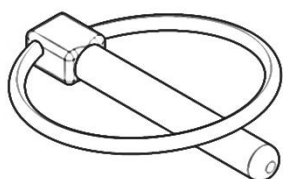


## Assembly Instructions for the Winscombe

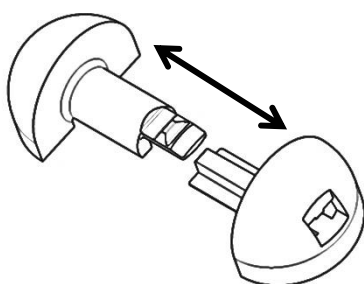
Congratulations on your purchase of a Clifton Coop by Brinsea Products Inc. Please read these instructions carefully before starting to assemble. Use the packing list in each carton to check that all parts are present, if anything does appear to be missing or damaged please contact us at the address at the end of this document. Please note that due to the recycled nature of the plastic there may be some minor surface imperfections. These will not affect the performance of the product.

Don't forget to visit [www.brinsea.com](http://www.brinsea.com) and follow the link on the home page to qualify for your 3 year guarantee. It's free and you can also register as a free member of the Brinsea Email Group to receive the latest news and information such as advance notice about new products, special offers, exclusive competitions and much more.

### **Safety First!**



Take care with the metal linchpins, they are spring loaded to make them really secure. *This means they can snap shut on unwary fingers!!* They only need to be opened a little to fit them.

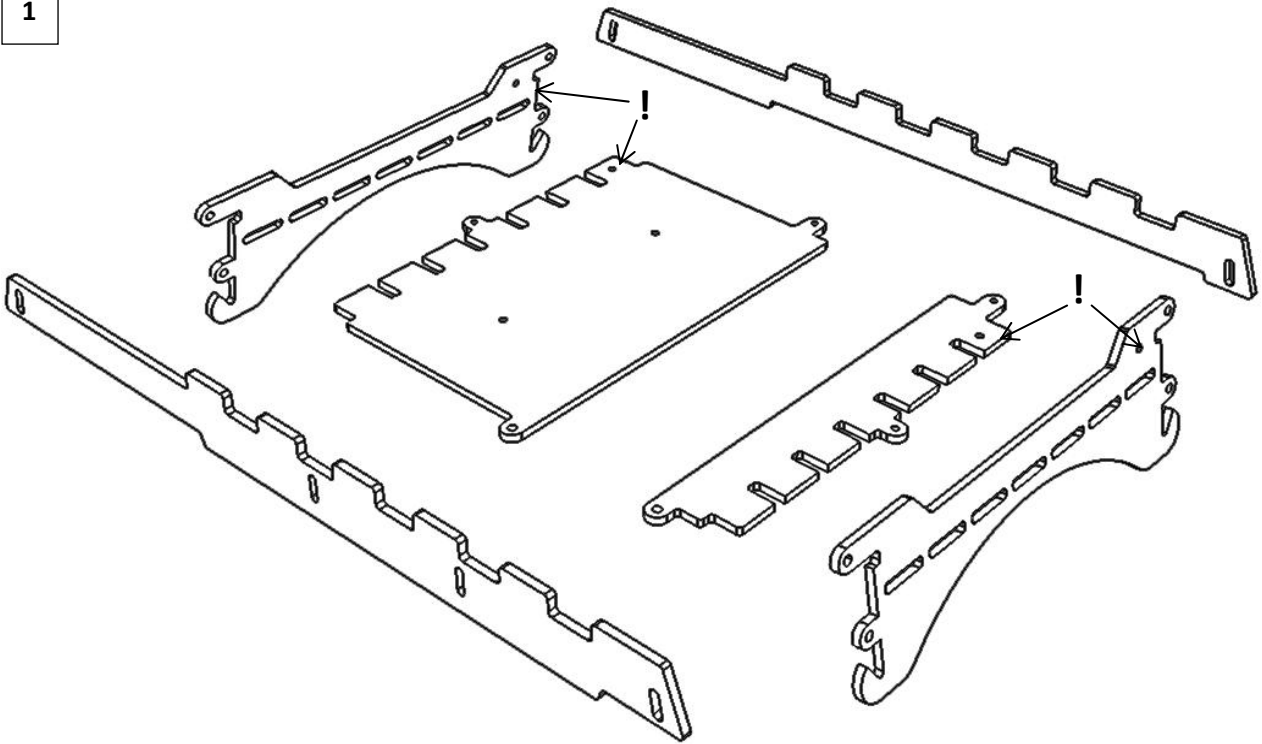


The only tool you will need is a large, flat-bladed screw driver. The majority of the assembly uses our unique "Coop Clips" which simply slot together through the lug in the plastic panel and may be removed again by pressing the tag and pulling them apart. This makes a complete strip-down for cleaning very simple and fast, leaving red mite nowhere to hide.

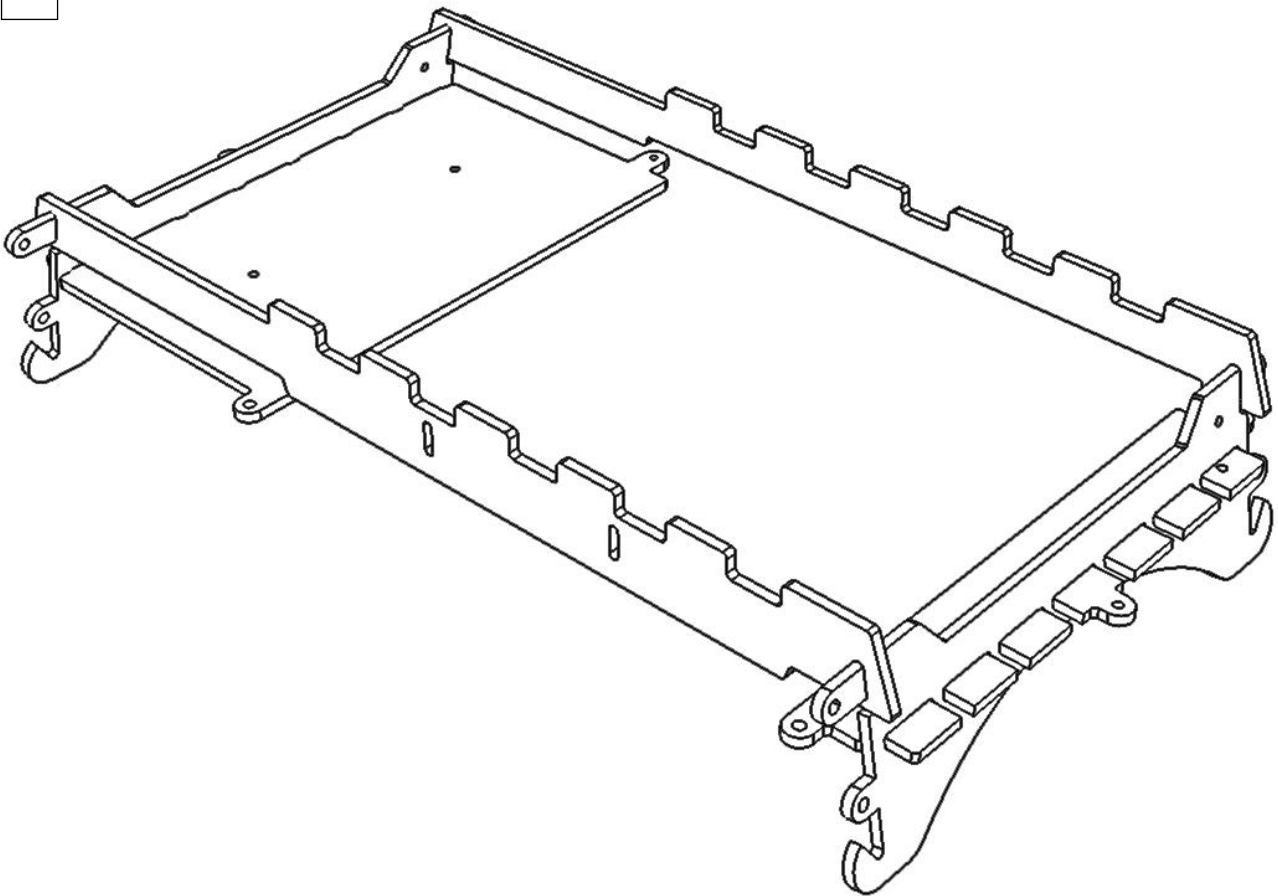
Lay out all the parts so that they are easy to find. Assembly is simple but done in a logical order. Please follow each step in turn.

Some parts have a hole on them to help show which way they are fitted. The drawing will highlight these with a "!" mark.

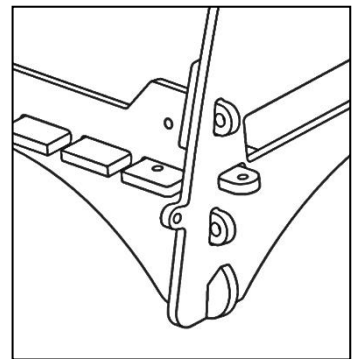
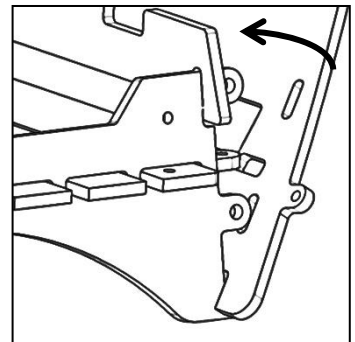
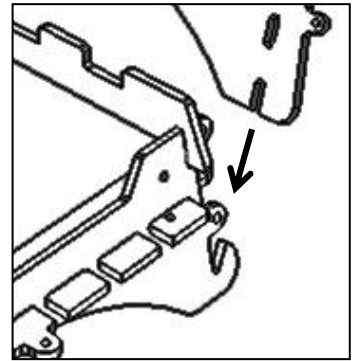
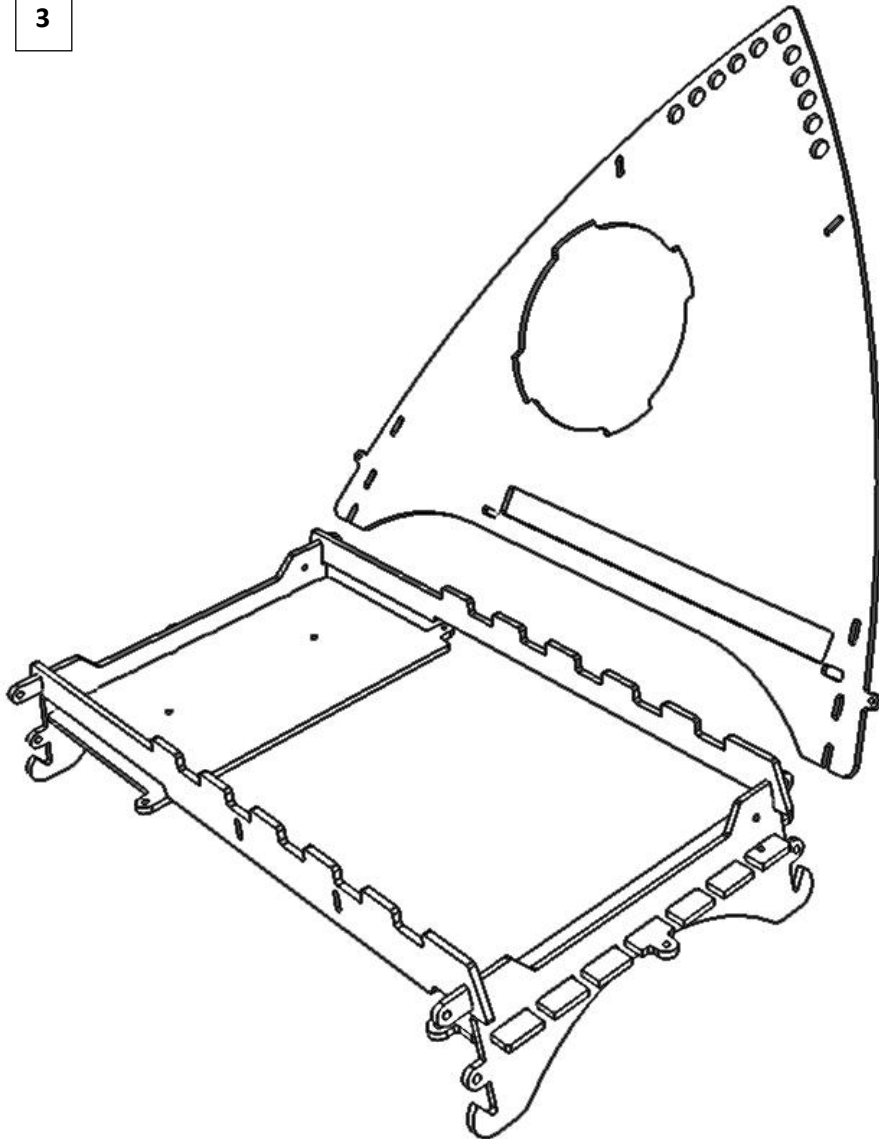
1

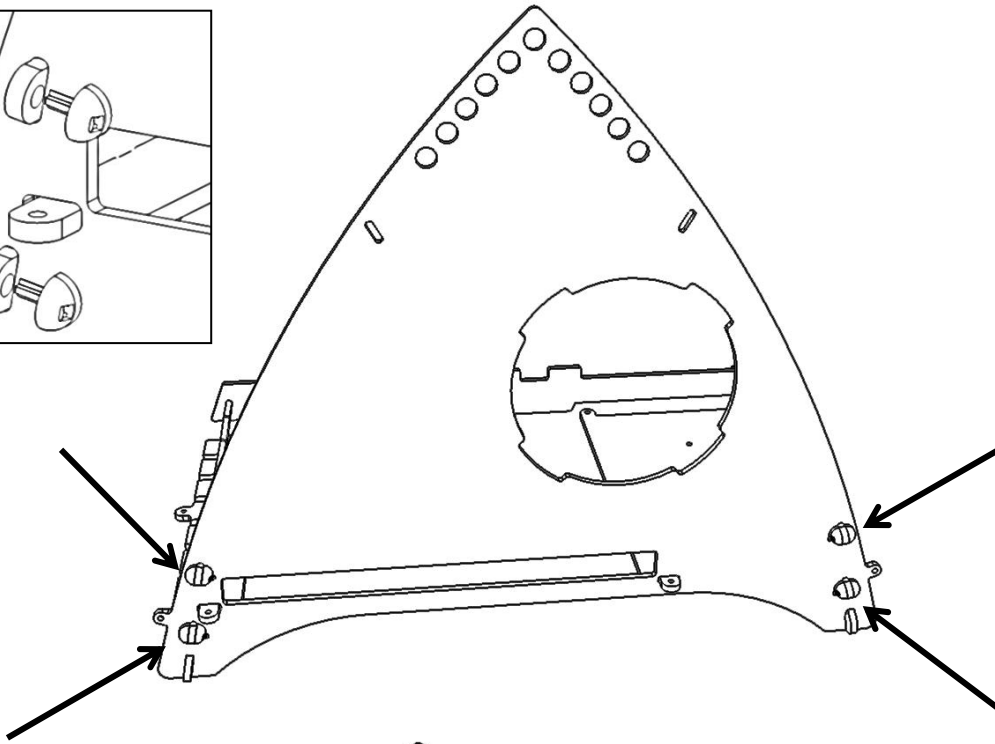
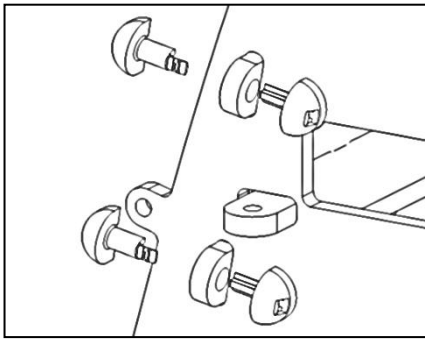


2

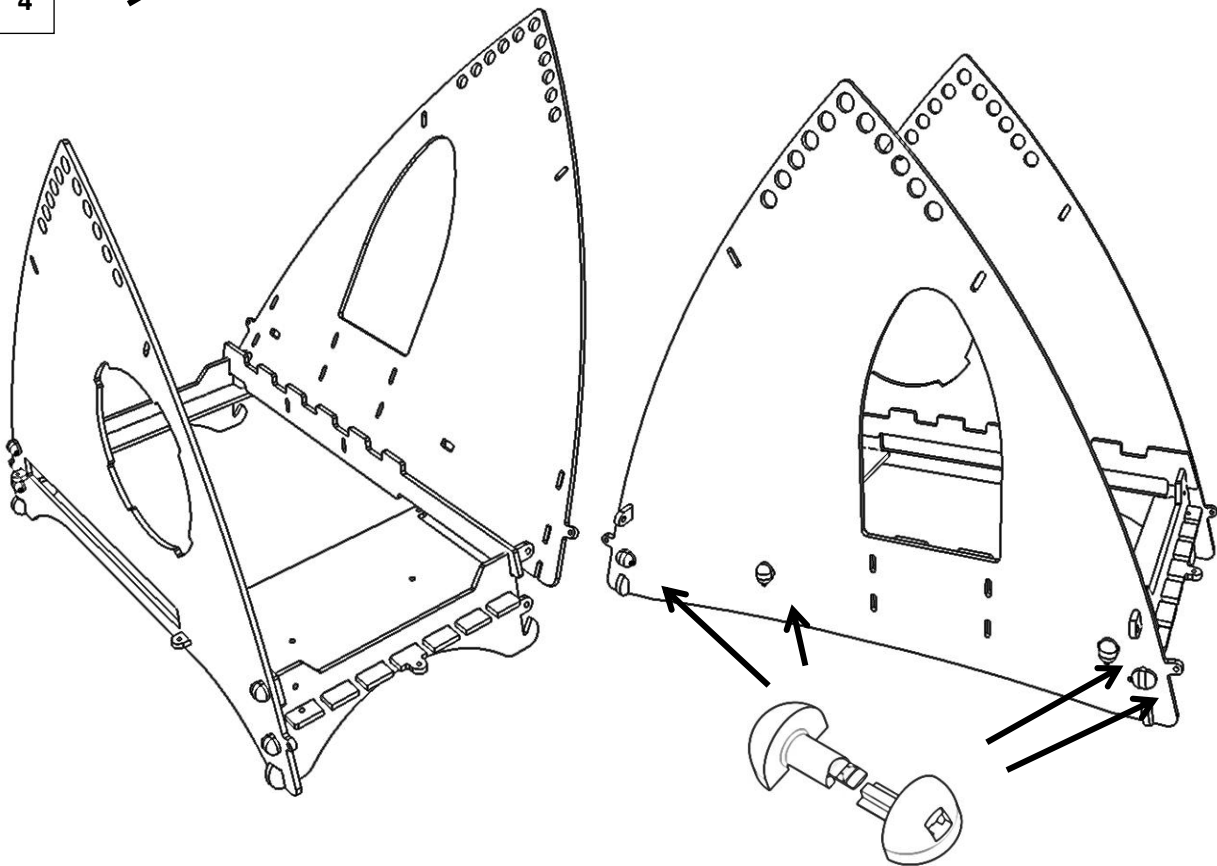


3

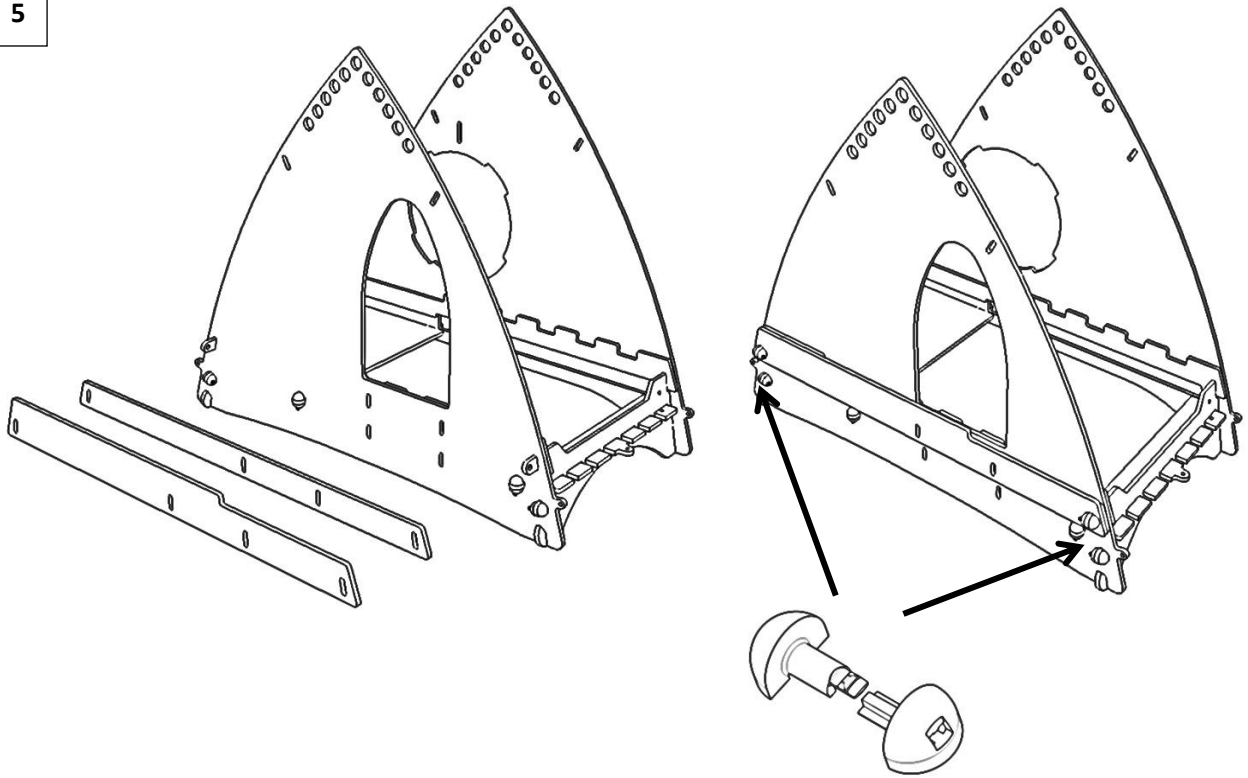




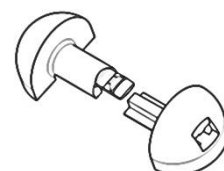
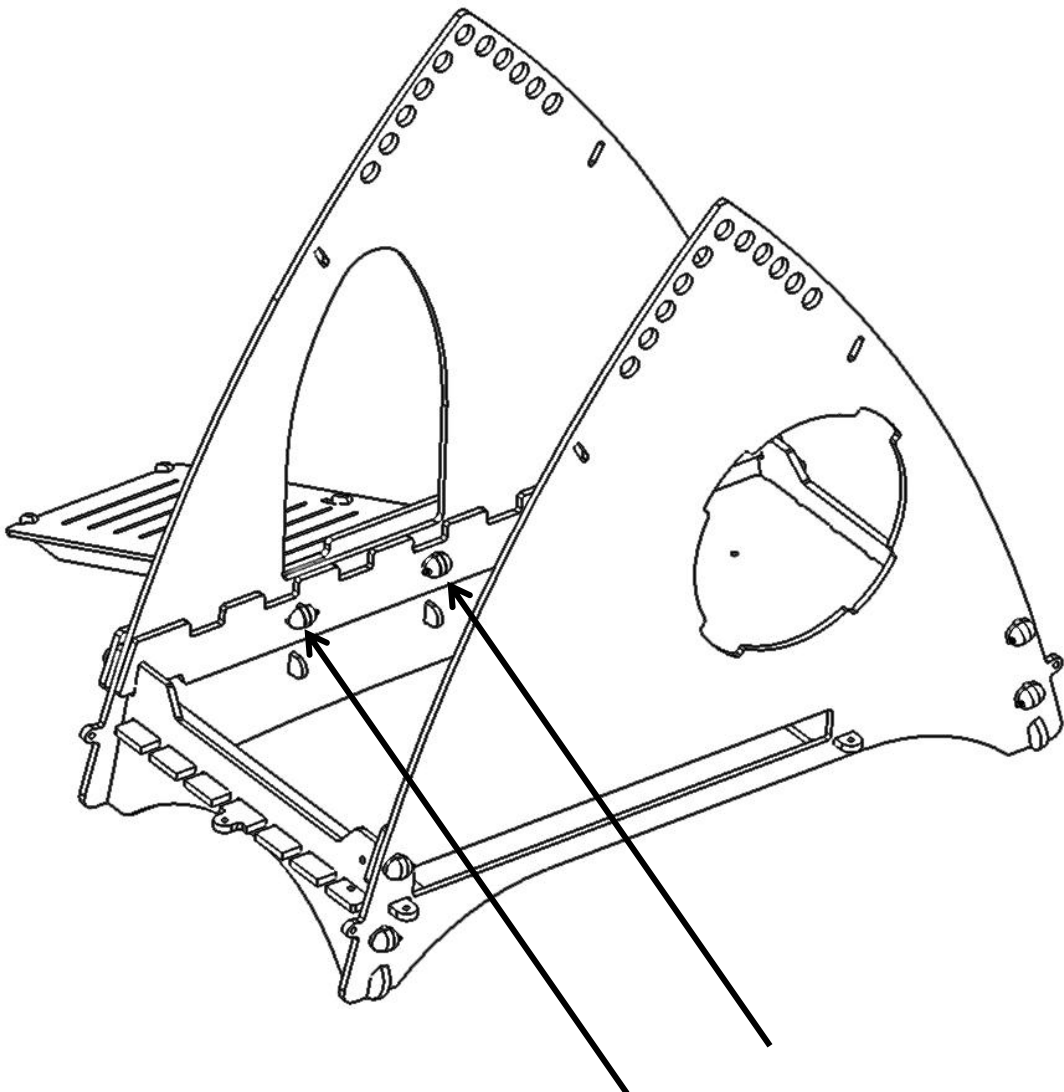
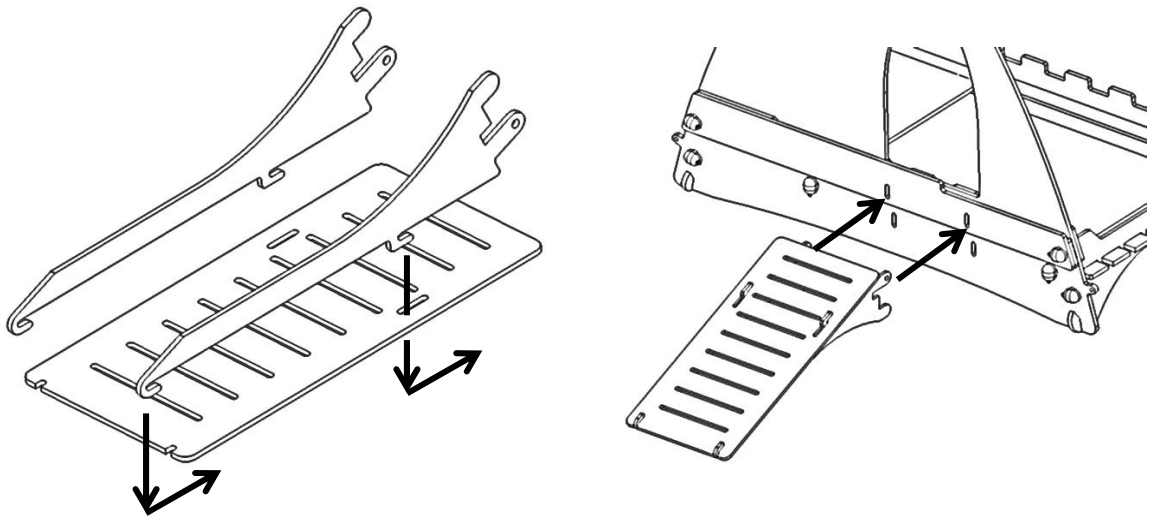
4



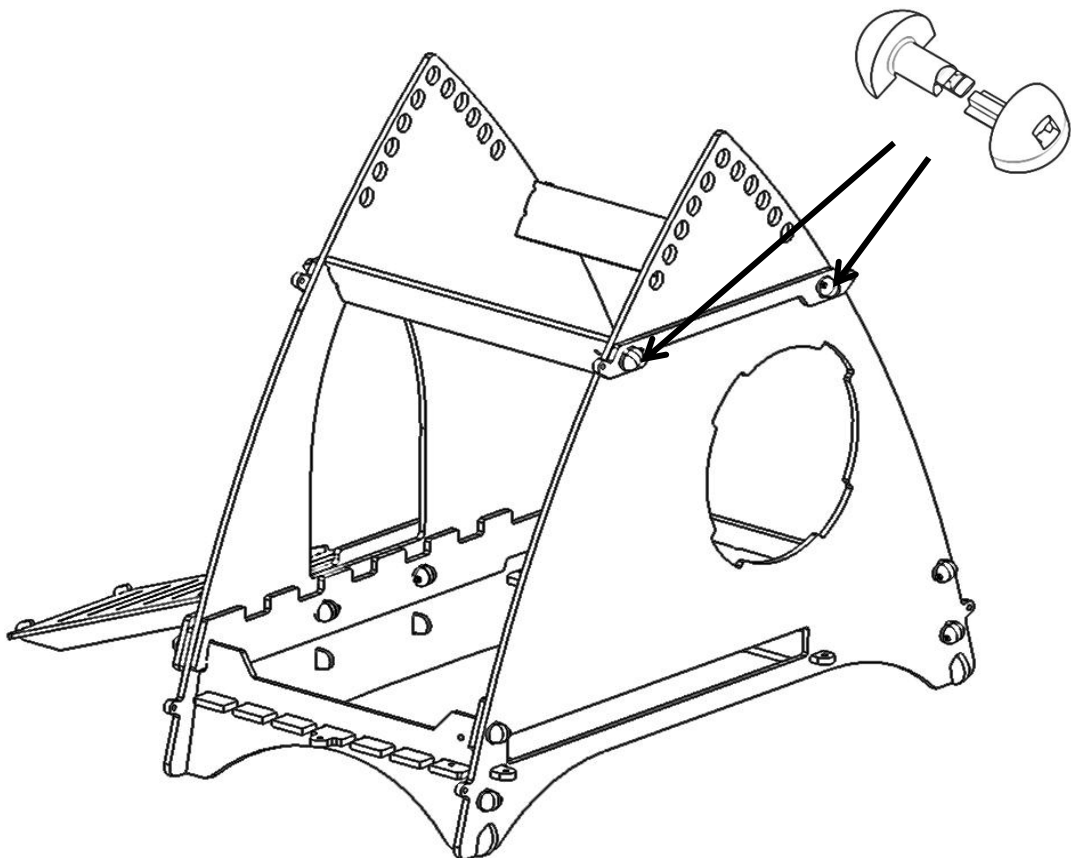
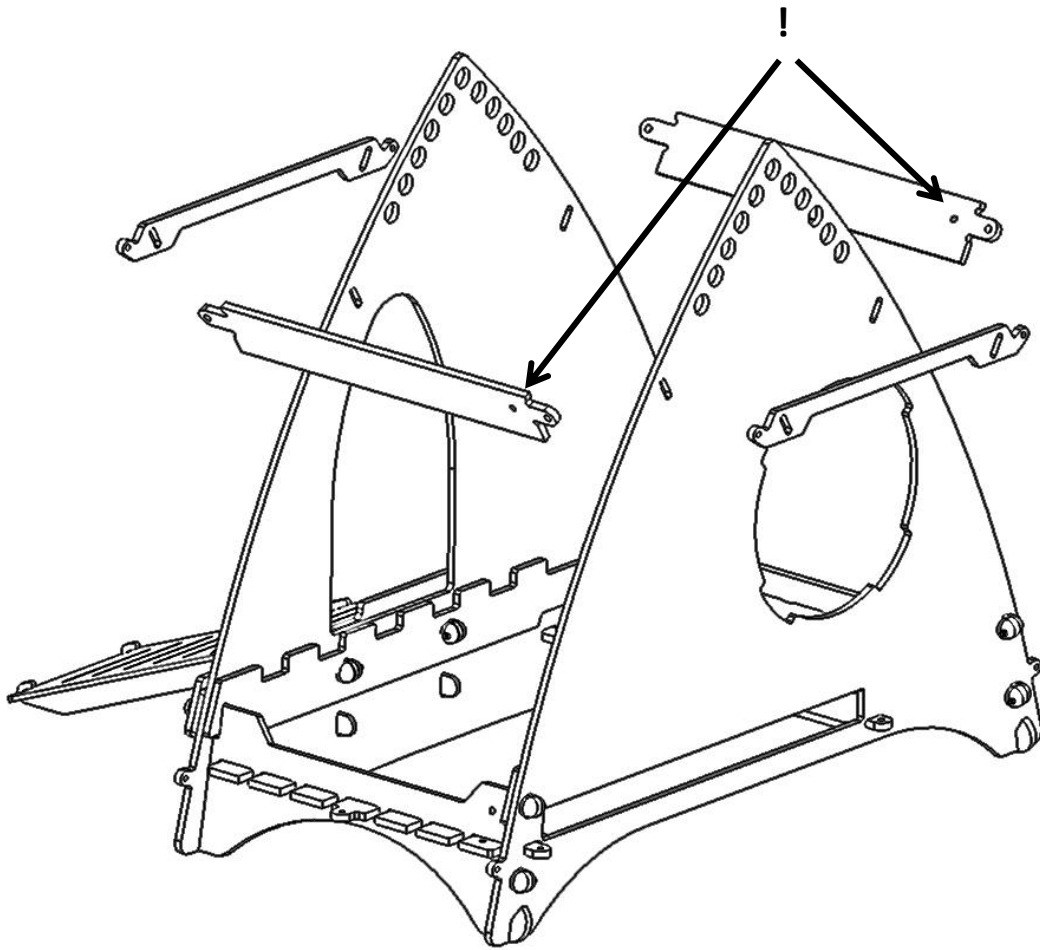
5



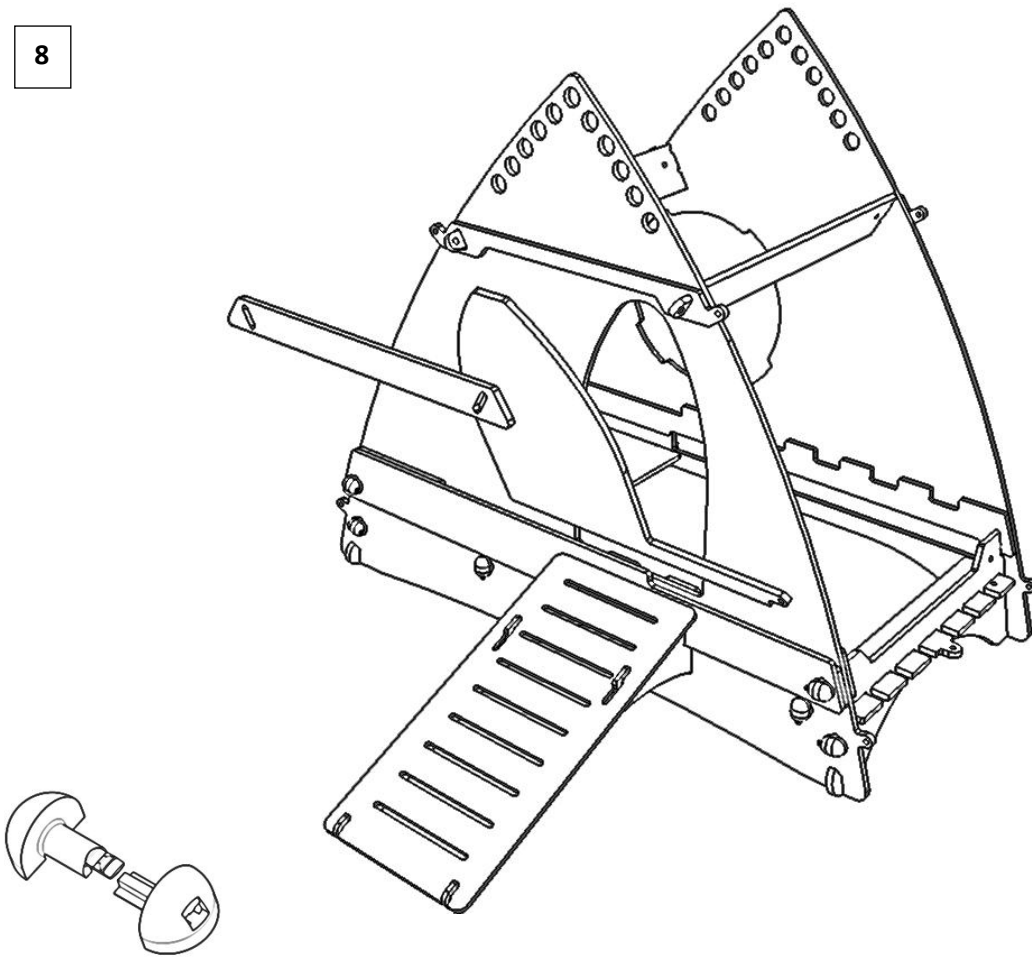
6



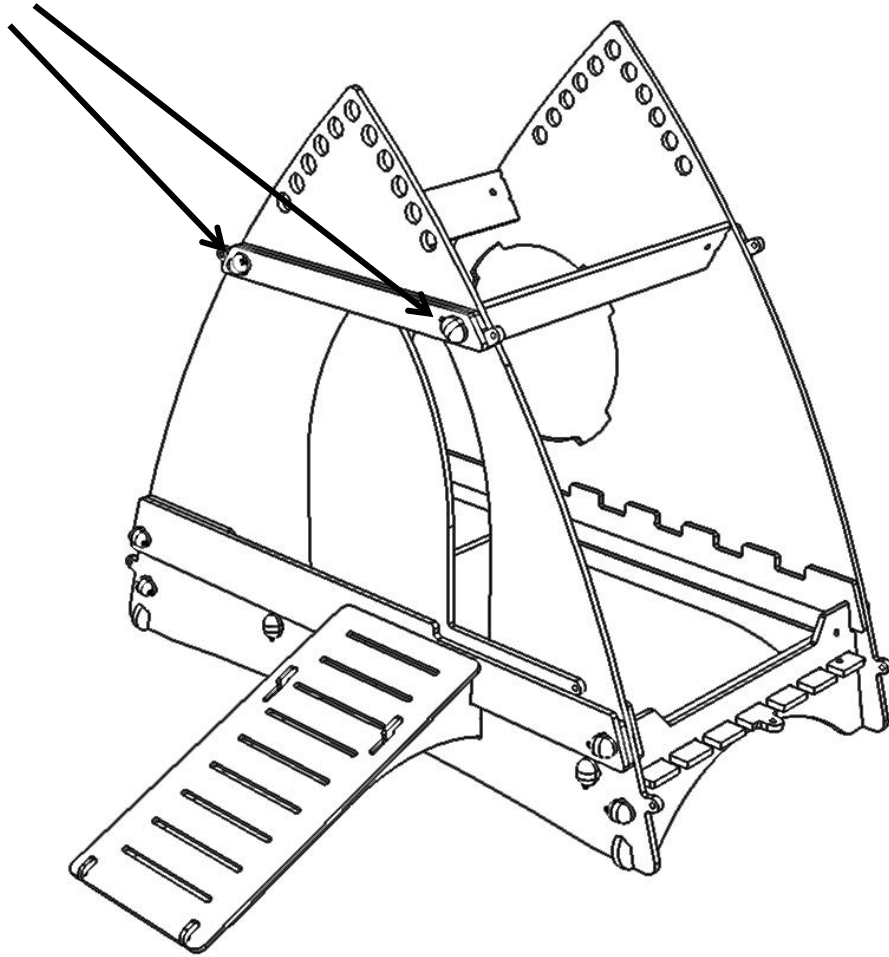
7



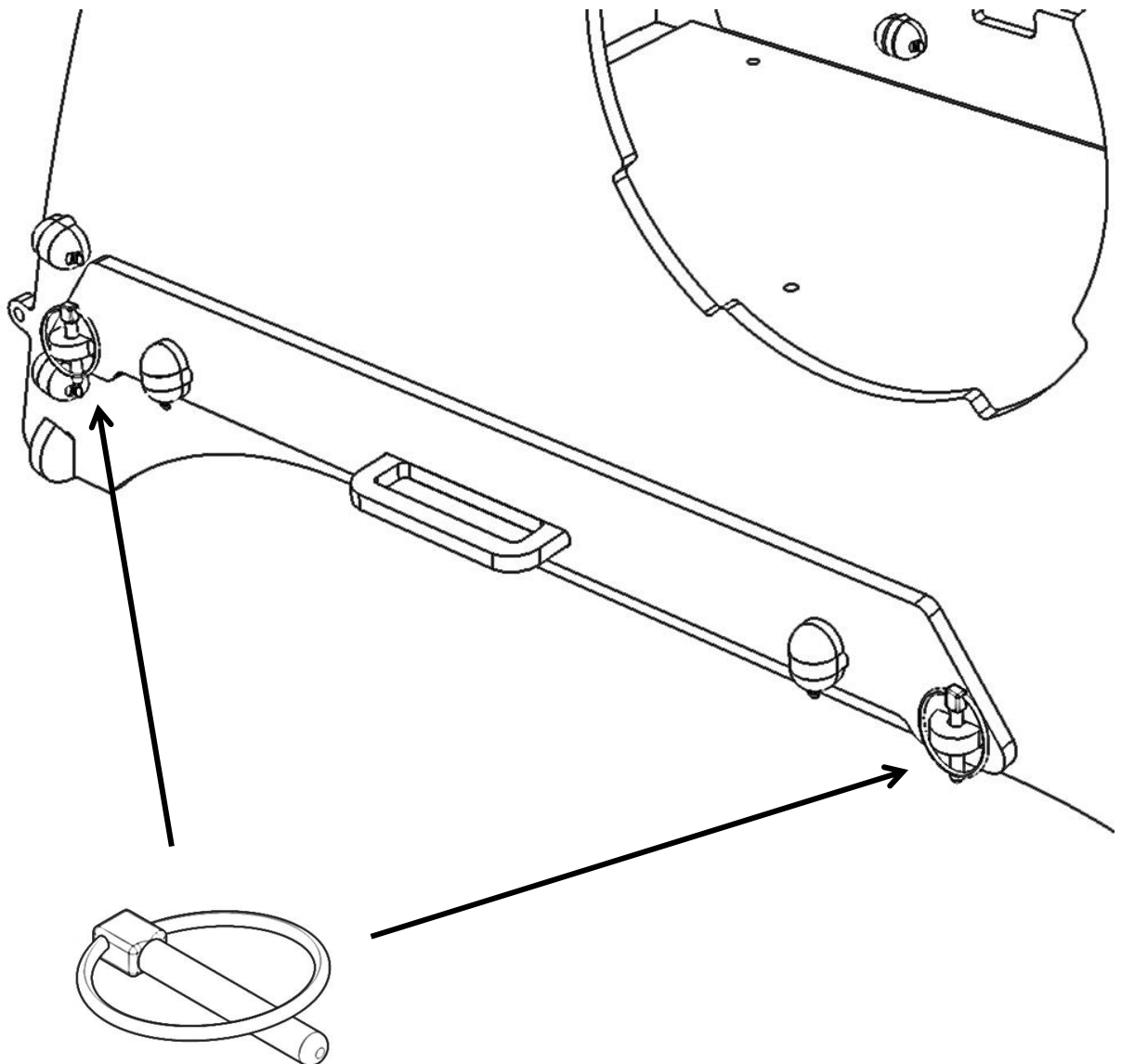
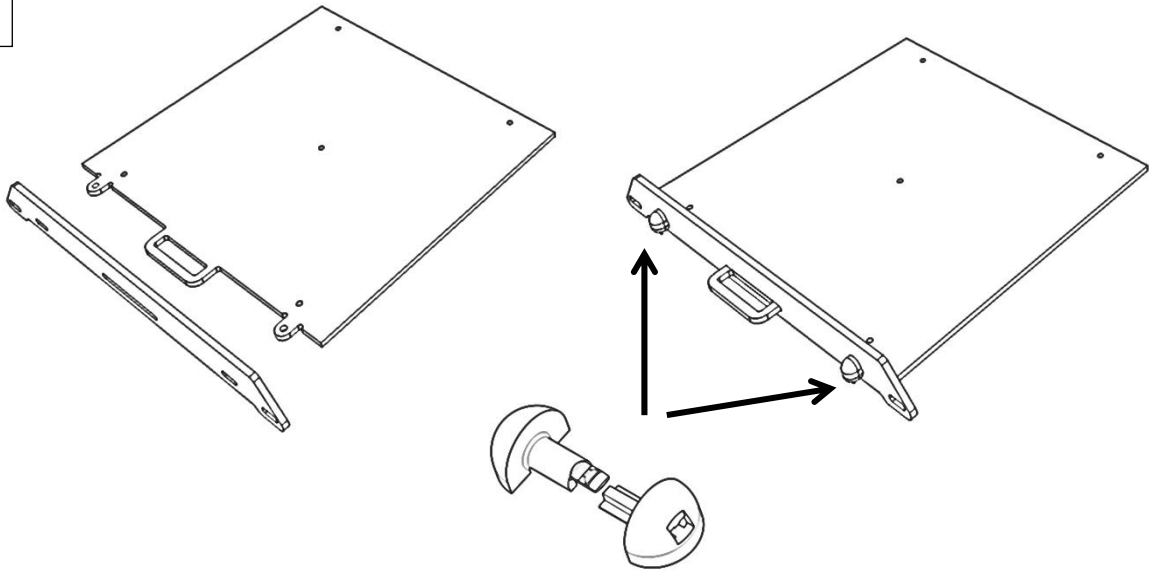
8



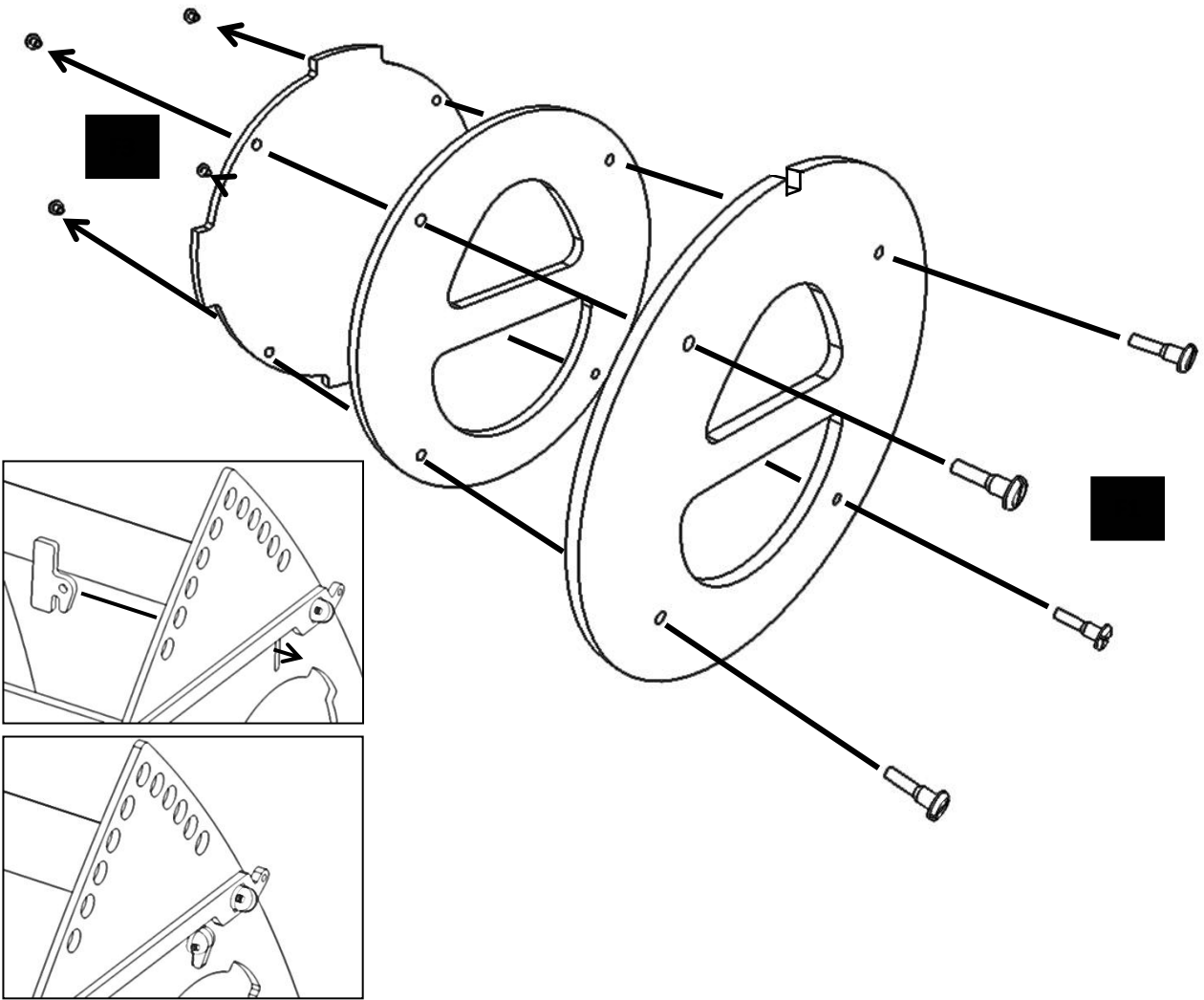


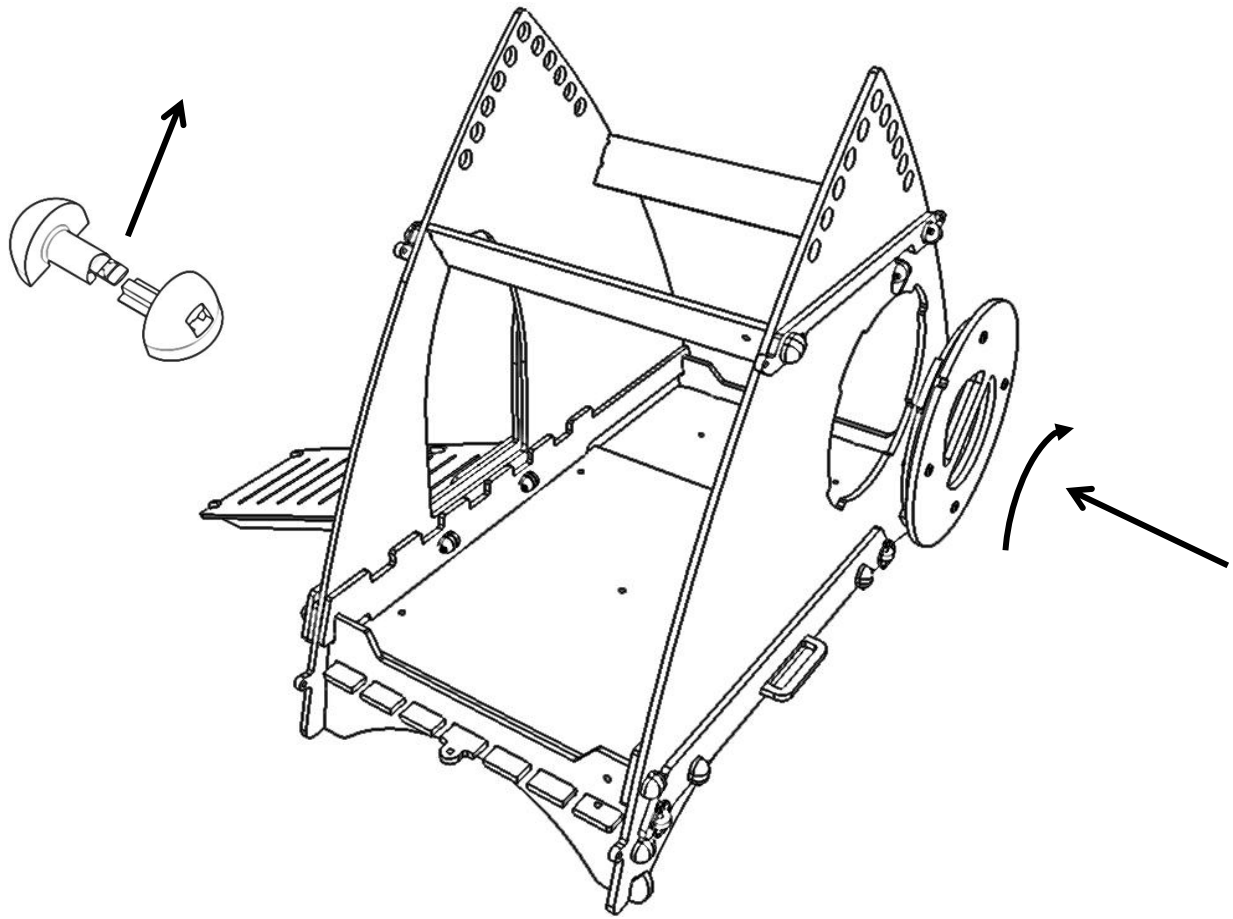


9

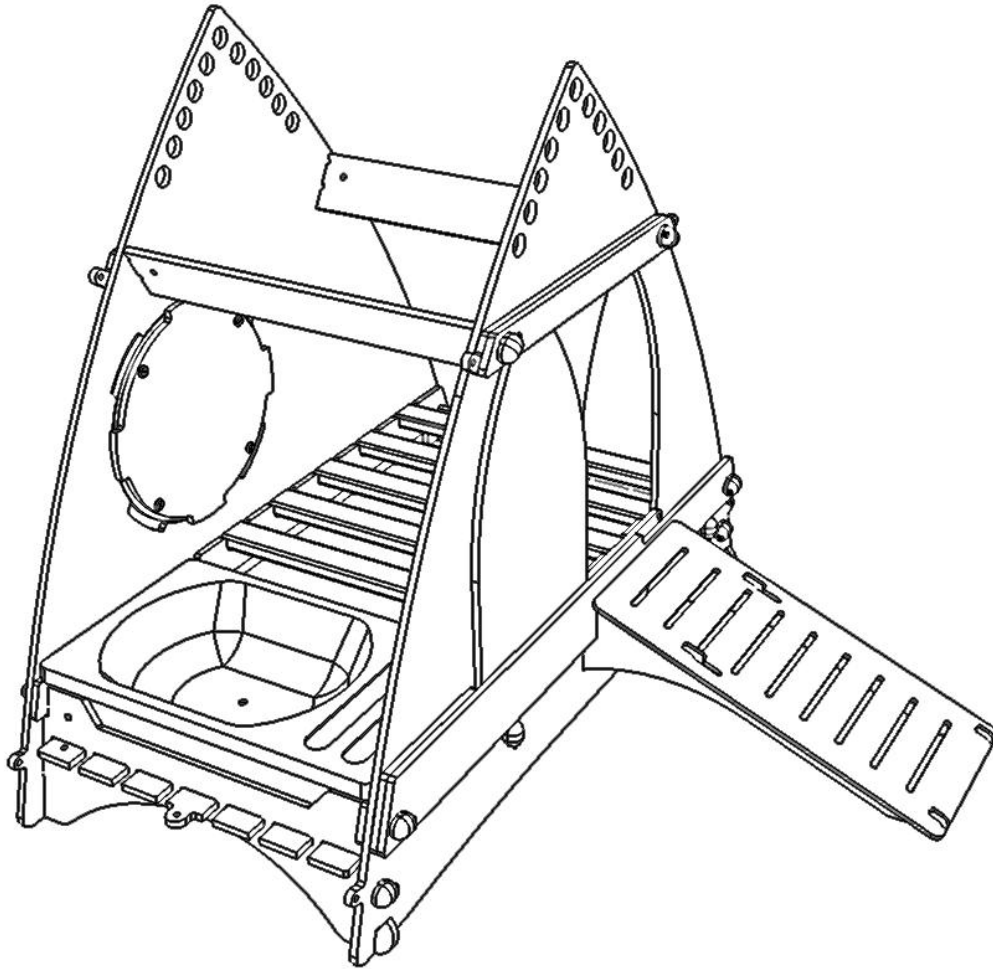


10

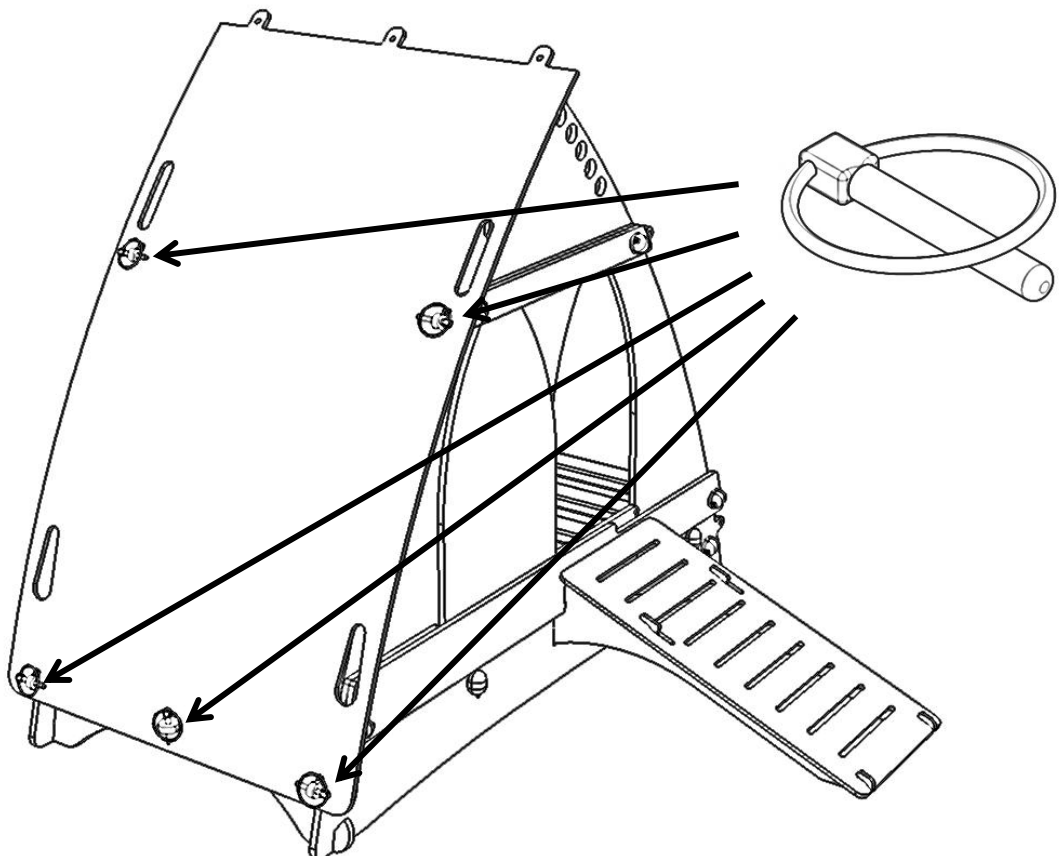




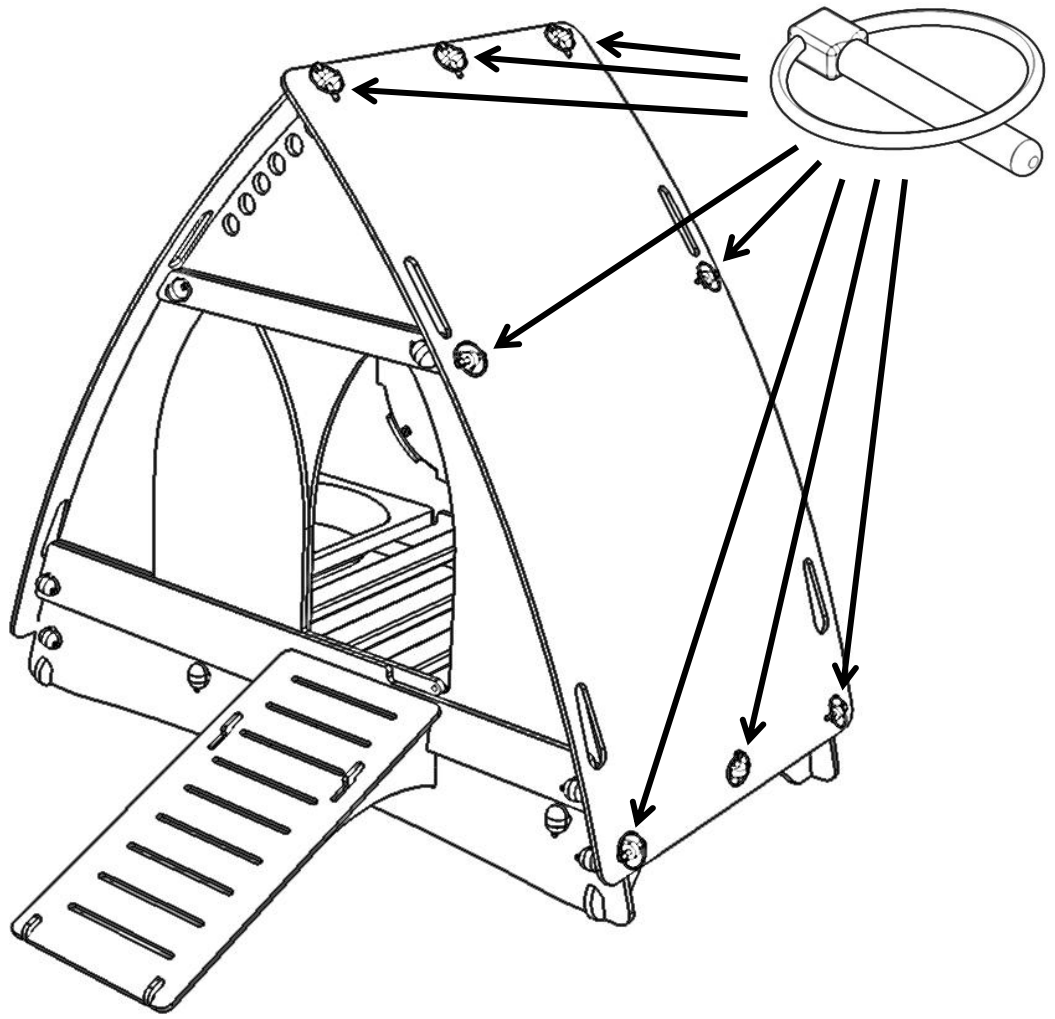
11



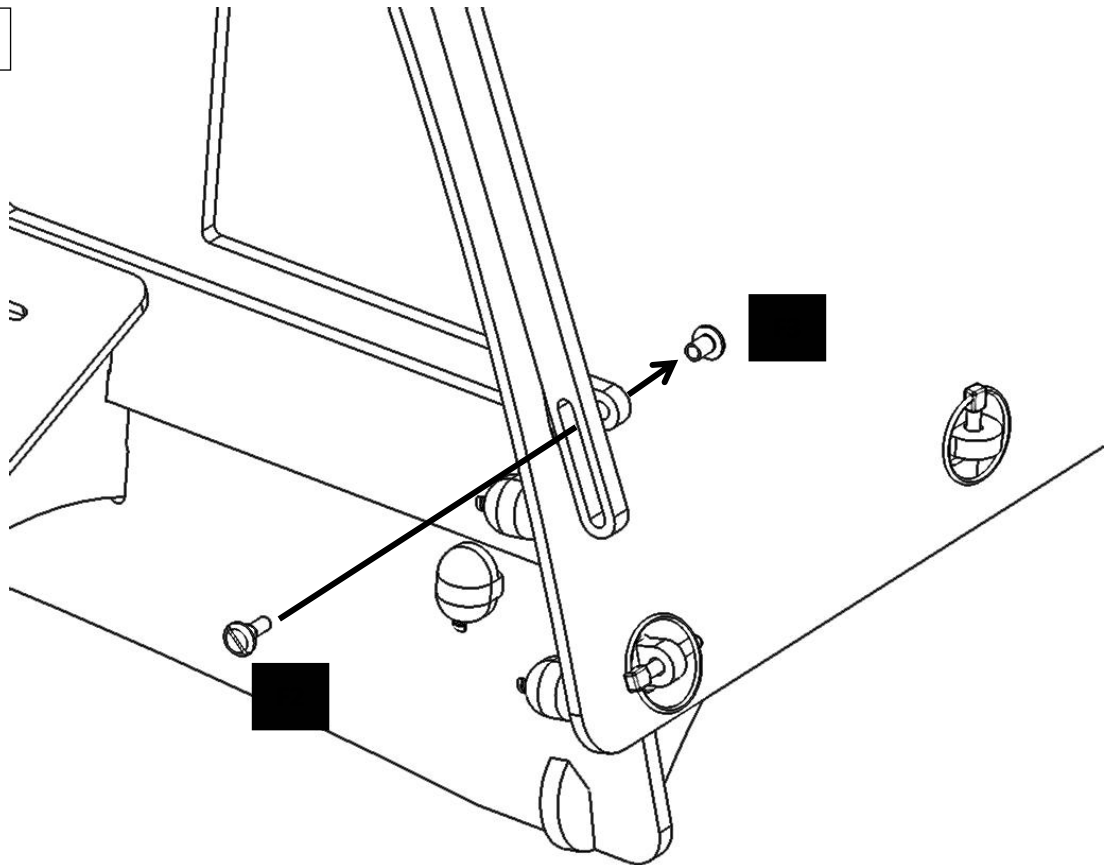
12

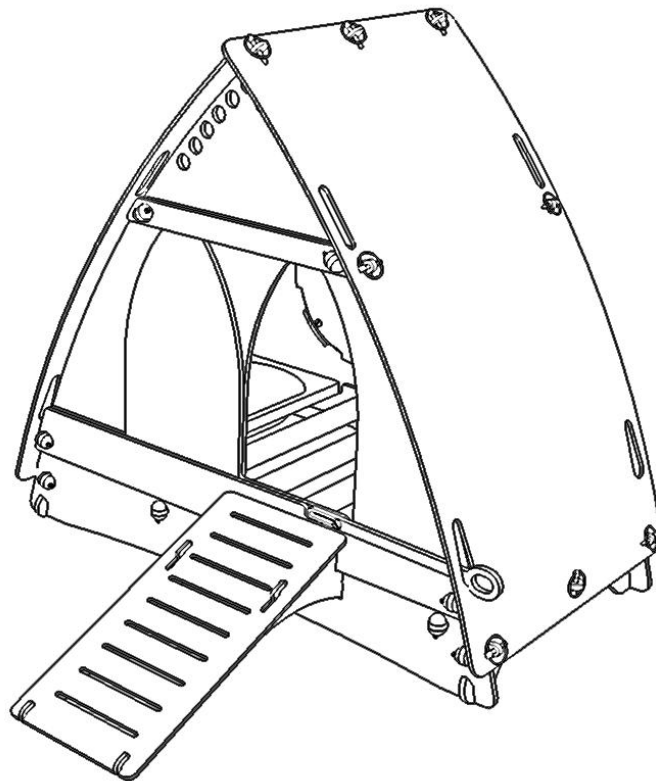
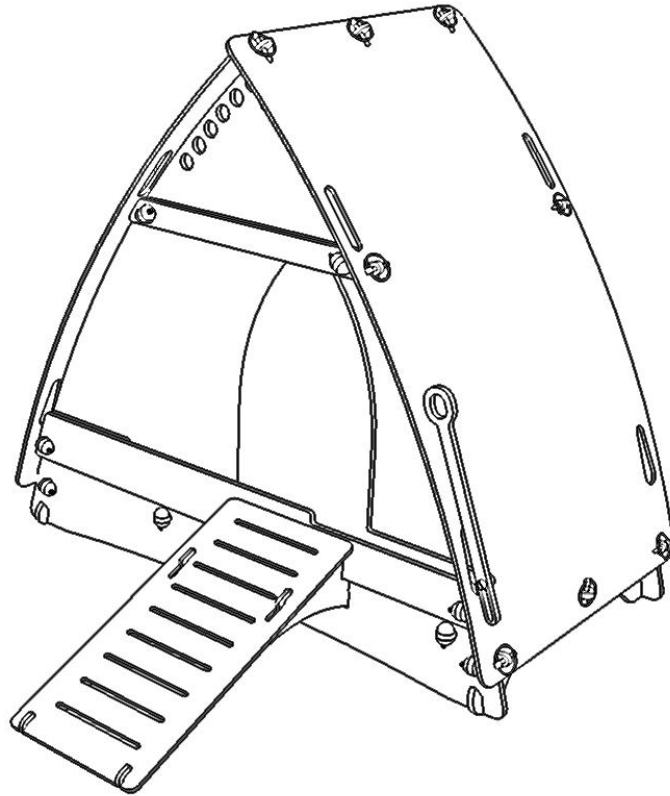


13



14





## Maintaining your Clifton Coop

- Remove and clean the droppings tray, perches and nest tub at least weekly and wash out any remaining debris.
- We recommend treating the house and perches with a proprietary red mite deterrent; follow the manufacturer's instructions.
- Every few months give the coop a thorough clean by dismantling the main parts. All parts may be pressure washed or washed with a hose and brush. Dry the wooden perches thoroughly.
- Move the coop on a regular basis to give the ground a chance to recover and to give the birds access to new ground for foraging (particularly if using the optional run).
- We use as many recycled materials as possible and all the materials used may be recycled again.
- If you have any questions about your Clifton Coop or require spare parts please contact us at the address below.

### Clifton Coops by Brinsea Products Inc

704 N. Dixie Ave, Titusville FL 32796 USA

Tel: 321 267 7009 Fax: 321 267 6090

e-mail: [sales@brinsea.com](mailto:sales@brinsea.com) website: [www.brinsea.com](http://www.brinsea.com)