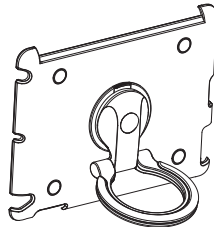
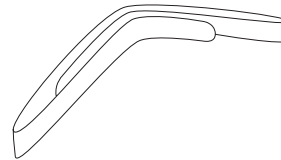


## Component Checklist

iPad® Stand



Velcro Headrest Strap



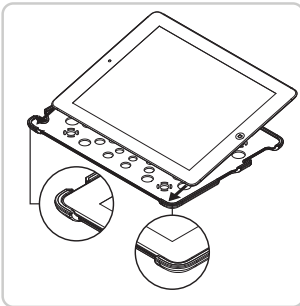
### IMPORTANT INFORMATION:

**! IMPORTANT - Install Visidec VTB-IPS iPad® Stand as per installation instruction.**  
! The manufacturer accepts no responsibility for incorrect installation.

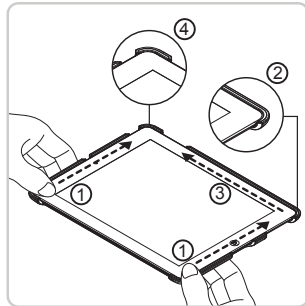
### Step 1. Check Components

Check you have received all components against the component checklist above.

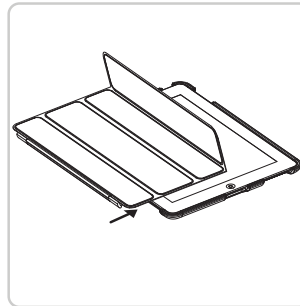
### Step 2. Tablet installation & Mounting options



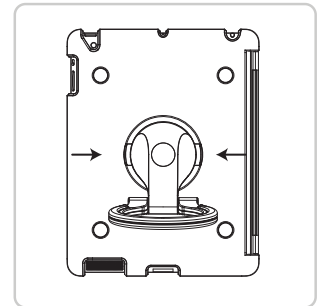
Fit the left side of the iPad® into the open side of the shell



Press the iPad® in along the edges and corners 1~4

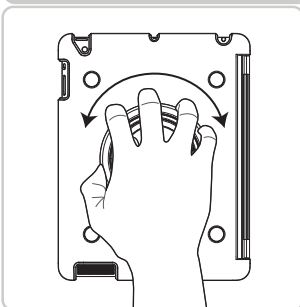


Product supports iPad® smart cover (iPad® smart cover not included)



Quick release removable stand

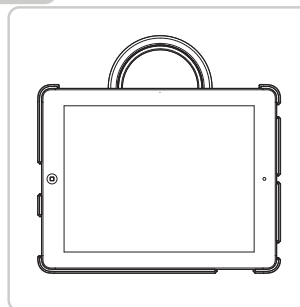
**Caution:** Please ensure that iPad is securely fixed in position.



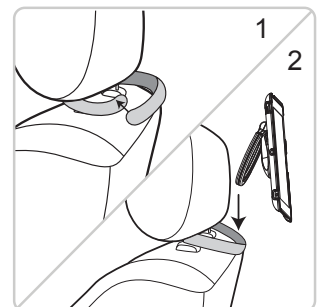
Handheld Rotation



Horizontal / vertical view with angle adjustment



Hanging & Portable



Use Velcro Headrest strap to attach to rear of car seat

### Installation Complete



No portion of this document or any artwork contained herein should be reproduced in any way without the express written consent of Atdec Pty Ltd. Due to continuing product development, the manufacturer reserves the right to alter specifications without notice. Published 05.11.12 ©

iPad® is a trademark of Apple Computer, Inc, registered in the U.S. and other countries.