

Additional Mount Accessory for TH-1040-CTS and TH-1040-CTL

## General Features

### Compatibility:

This product is to be installed in conjunction with TH-1040-CTS and TH-1040-CTL Ceiling Mounts only.

TH-1040-CTS Ceiling Tilt Short Mount  
 TH-1040-CTL Ceiling Tilt Long Mount

### Supports VESA mounting hole configurations:

75mm x 75mm  
 100mm x 100mm  
 200mm x 100mm  
 200mm x 200mm

### Range of display adjustment:

+/-20 pan and tilt  
 360° rotation around the pole  
 360° portrait to landscape rotation

### Maximum Load:

25kg (55lbs) per mount

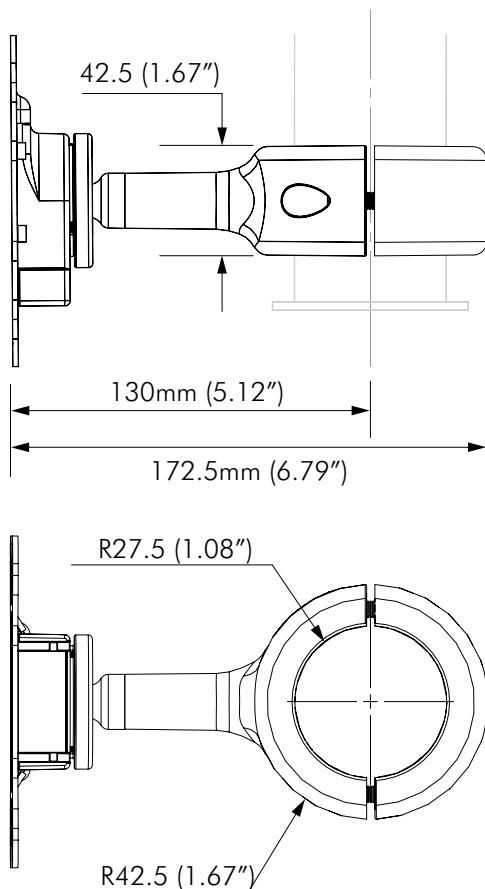
### Maximum Pole Capacity:

50kg (110lbs) using TH-1040-CT-DV

### Warranty: 10 years limited

**Colour:** Black

## Dimensions



**Note:** Refer to the TH-1040-CTS and TH-1040-CTL Technical Specifications for pole dimensions.

