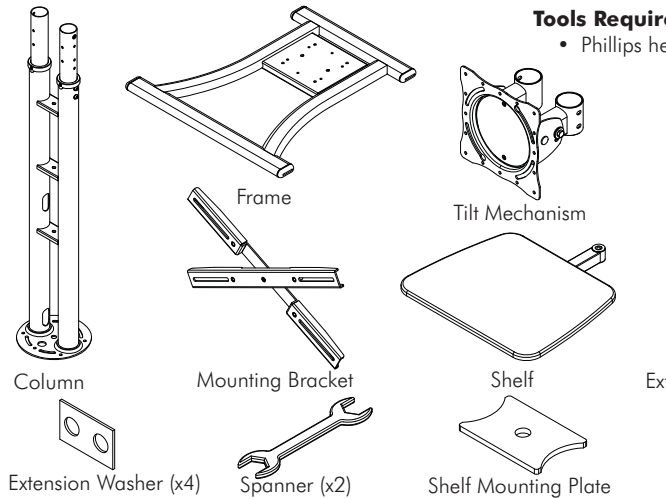


Component Checklist



Column

Extension Washer (x4)

Frame

Mounting Bracket

Spanner (x2)

Tilt Mechanism

Shelf

Shelf Mounting Plate

Caster (x4)

Extension Bracket (x4)

Top Cap (x4)

Tools Required:

- Phillips head screw driver

HARDWARE

Shelf Mounting Screw

M8 Spring Washer (x6)

M8x16 Screw (x4)

Spacer (x6)

M8 Screw (x6)

Allen Key

M5 Washer (x6)

M8 Washer (x10)

1/4" Washer (x6)

Display Mounting Screws (x6 each)

M4x16/35mm

M5x16/35mm

M6x16/35mm

M8x16/35mm

M8x10 Screw (x8)

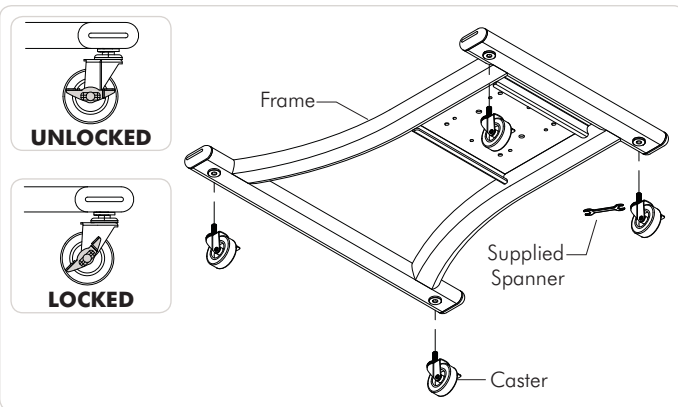
IMPORTANT INFORMATION:

- ! IMPORTANT - Install Telehook TV Cart as per installation instruction.**
- ! This product supports a maximum load of 50kg (110lbs.).
- ! This product supports VESA mounting hole configurations: From 200 x 200mm to 800 x 600mm.
- ! The manufacturer accepts no responsibility for incorrect installation.

Step 1. Check Components

Check you have received against the component checklist and hardware above.

Step 2. Assemble Base



UNLOCKED

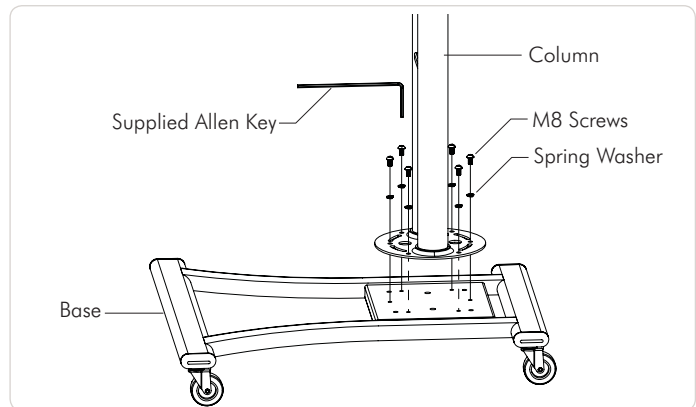
LOCKED

Frame

Supplied Spanner

Caster

Step 3. Fasten Column to Base



Column

Supplied Allen Key

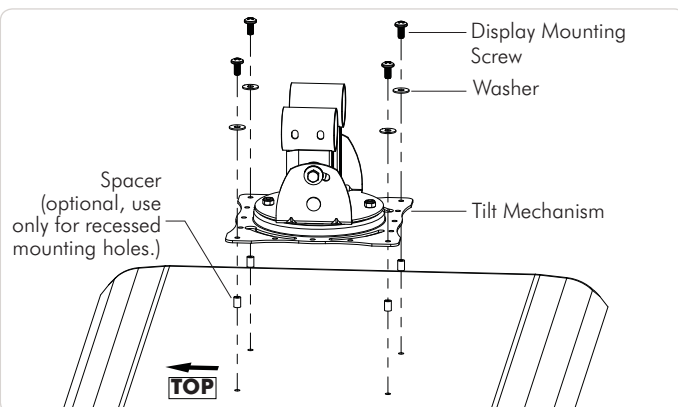
M8 Screws

Spring Washer

Base

For a VESA Hole Configuration of 200x200mm ONLY go to Step 4 and skip Step 5 & 6.
For a VESA Hole Configuration of over 200x200mm skip Step 4 and go to Step 5.

Step 4A. Attach Tilt Mechanism to Display



Display Mounting Screw

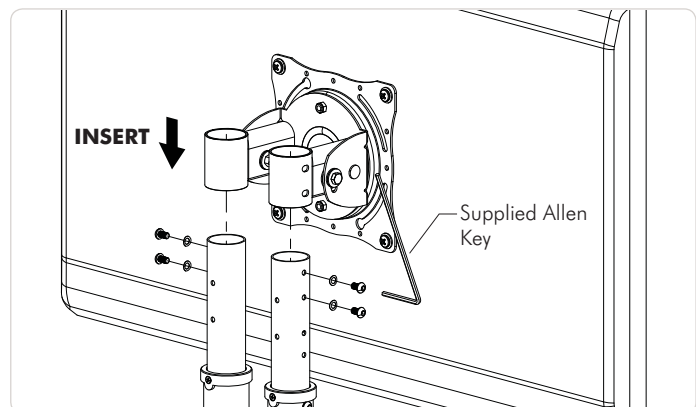
Washer

Spacer (optional, use only for recessed mounting holes.)

Tilt Mechanism

TOP

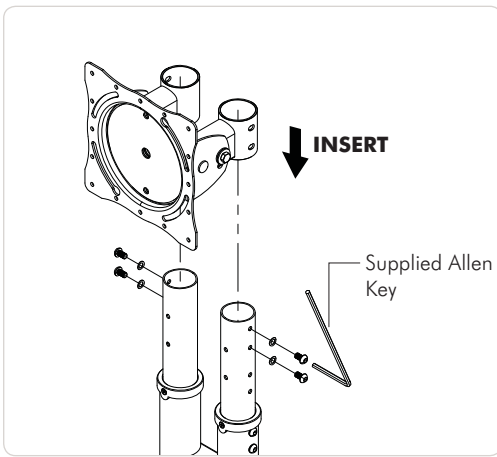
Step 4B. Insert Tilt Mechanism to Column



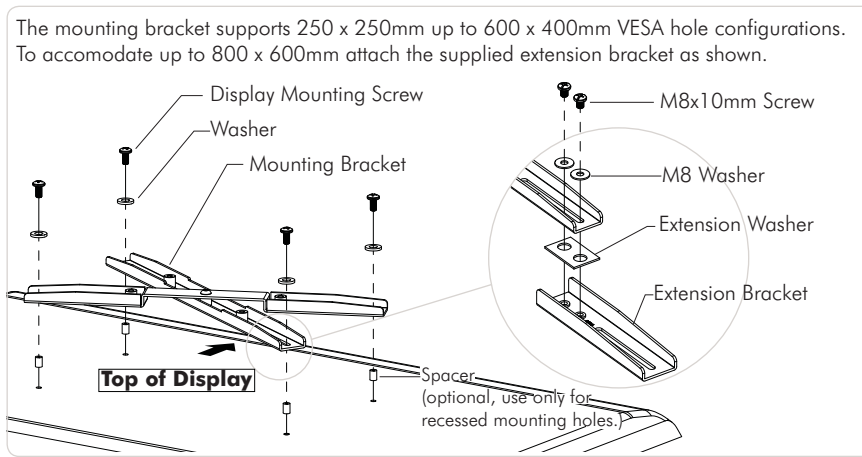
INSERT

Supplied Allen Key

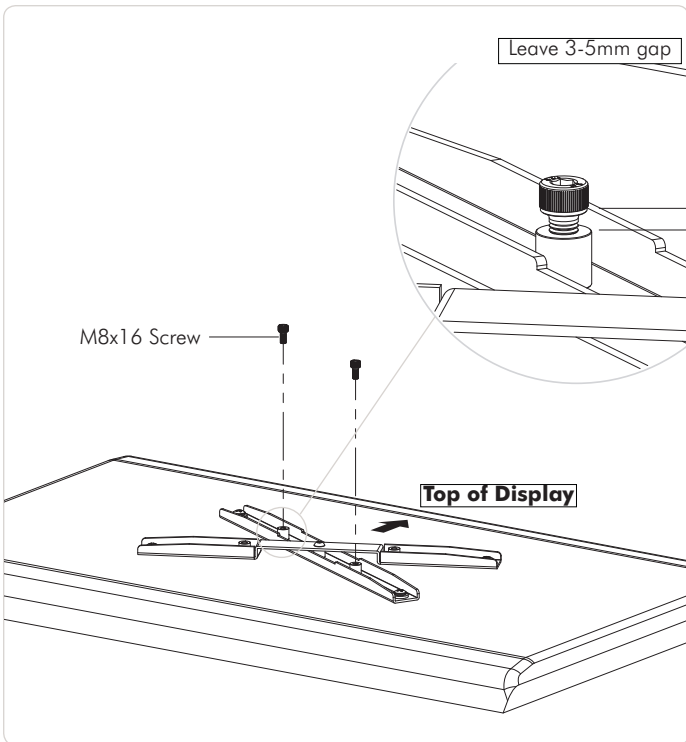
Step 5A. Insert Tilt Mechanism to Column



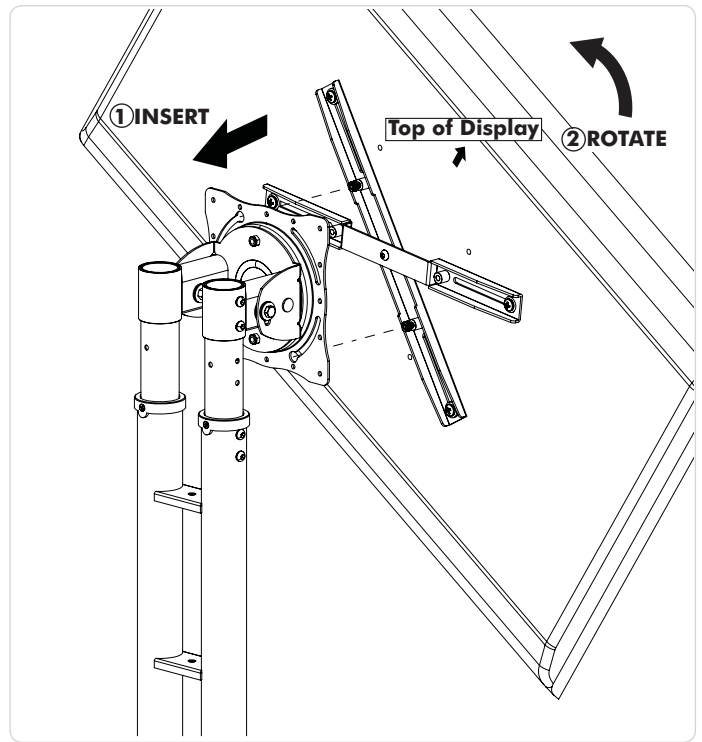
Step 5B. Attach Mounting Bracket to Display



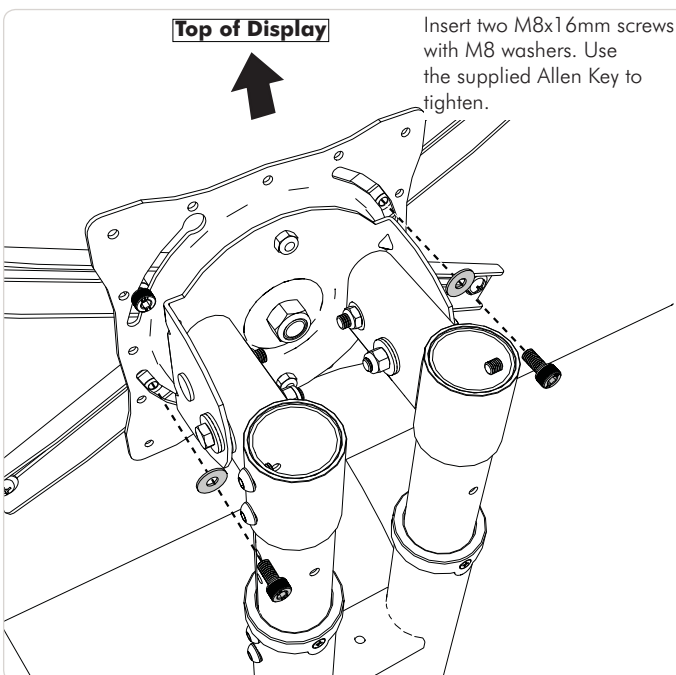
Step 6. Insert two M8x16 Screws



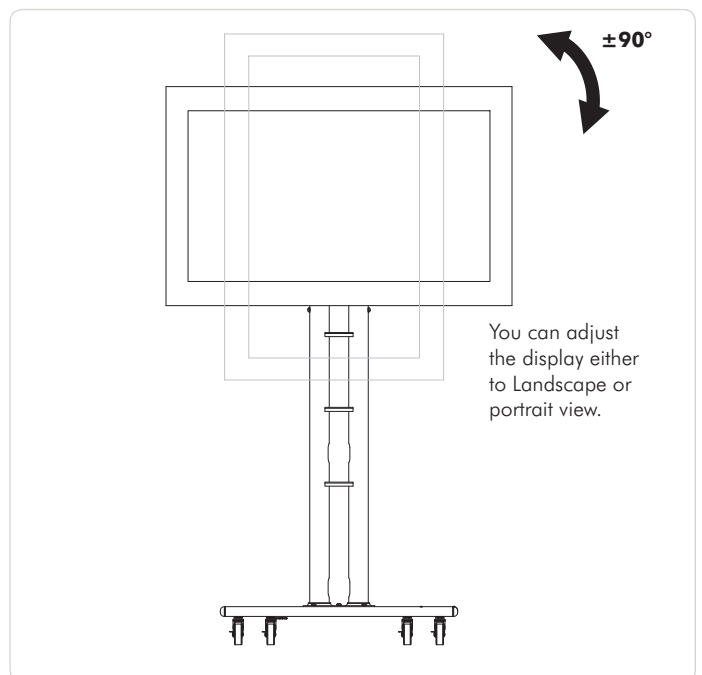
Step 7. Attach Mounting Bracket to Tilt Mechanism



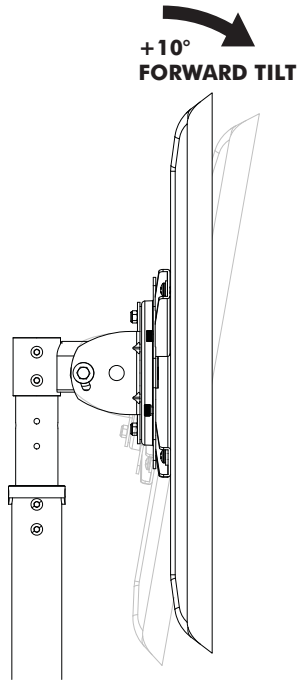
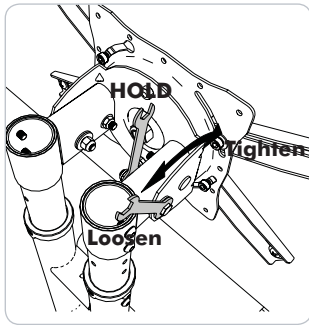
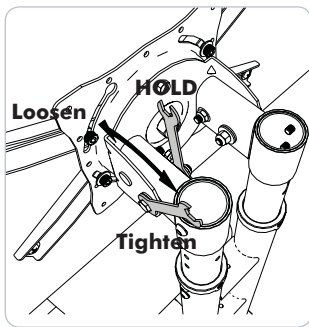
Step 8. Secure Display



Step 9. Set to Landscape or Portrait

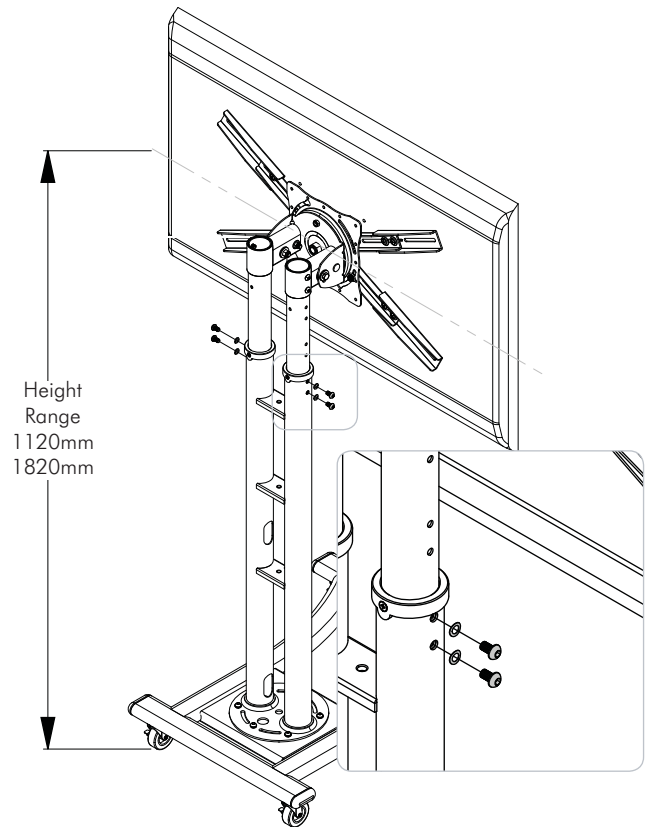


Step 10. Tilt Adjustment

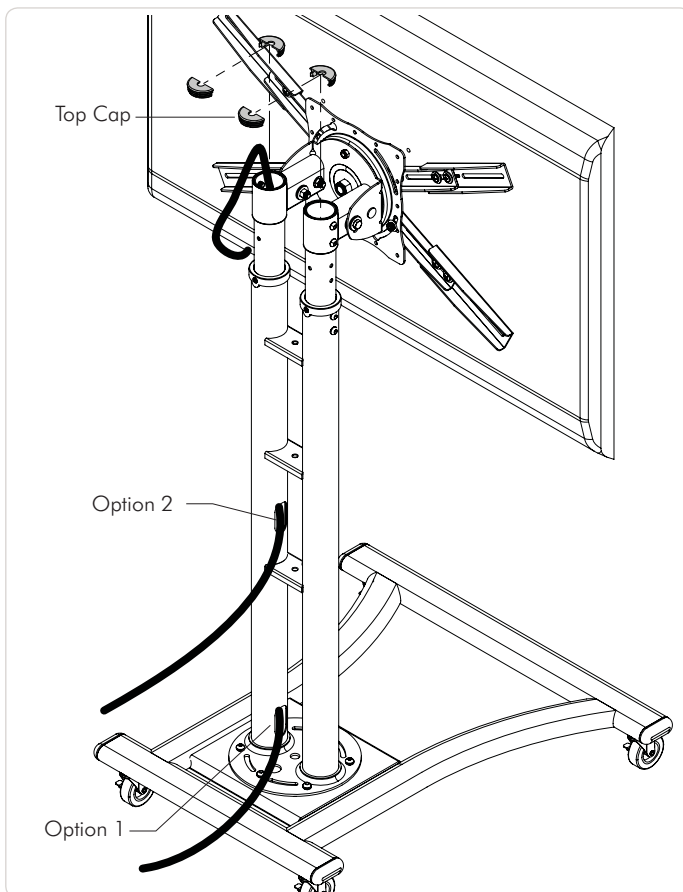


NOTE: Use the two supplied spanner to adjust tension and tilt if necessary.

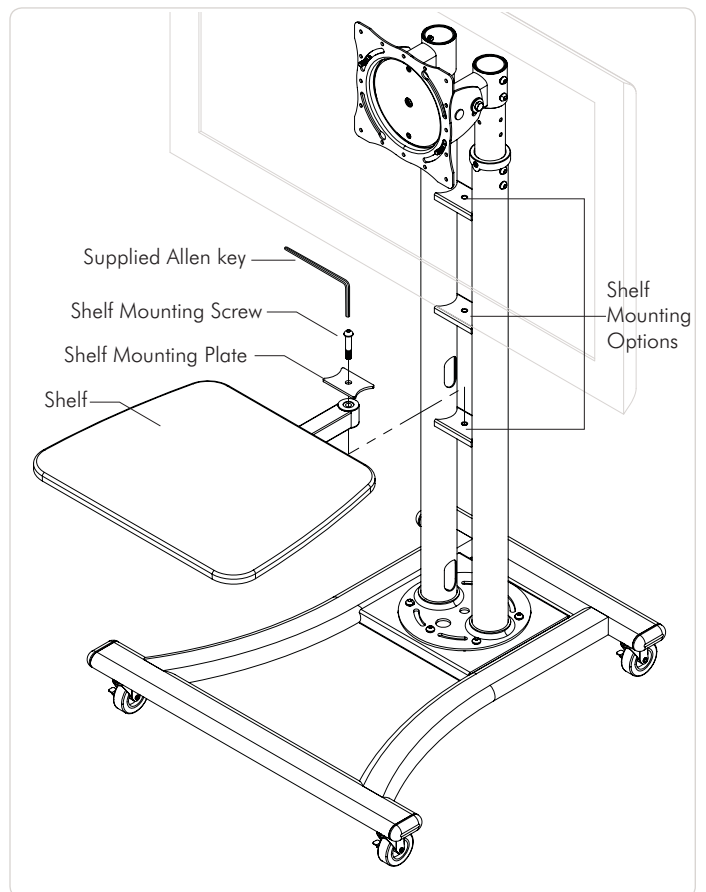
Step 11. Adjust Height



Step 12. Cable Management



Step 13. Attach Shelf



Installation Complete



No portion of this document or any artwork contained herein should be reproduced in any way without the express written consent of Atdec Pty Ltd. Due to continuing product development, the manufacturer reserves the right to alter specifications without notice. Published 31.10.12 ©