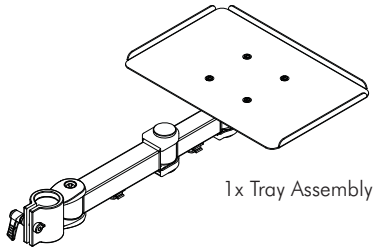


Component Checklist

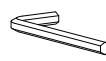
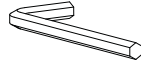


HARDWARE

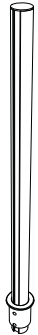
6mm Allen Key from TH-TVCB

Allen Key

2 x M6 Cap Screw



1x Adjustable Pole



IMPORTANT INFORMATION:

! IMPORTANT - Install Telehook Ceiling Mount as per installation instruction.

! This product supports a maximum load of 5kg (11lbs.).

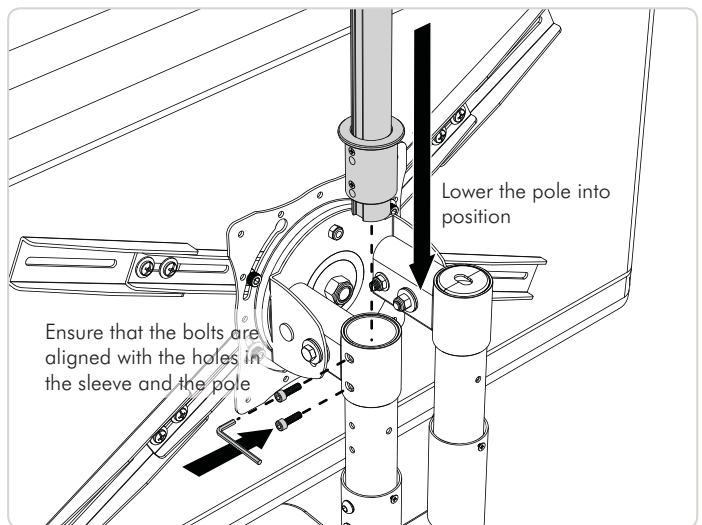
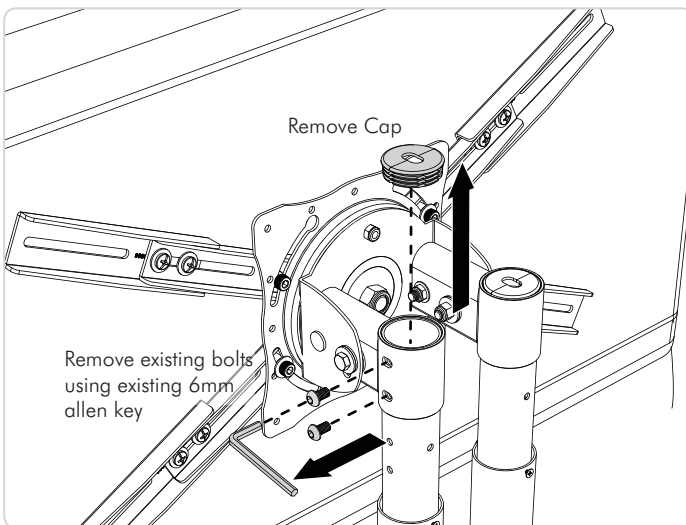
! The manufacturer accepts no responsibility for incorrect installation.

Step 1. Check Components

Check you have received all parts against the component checklist and hardware above.

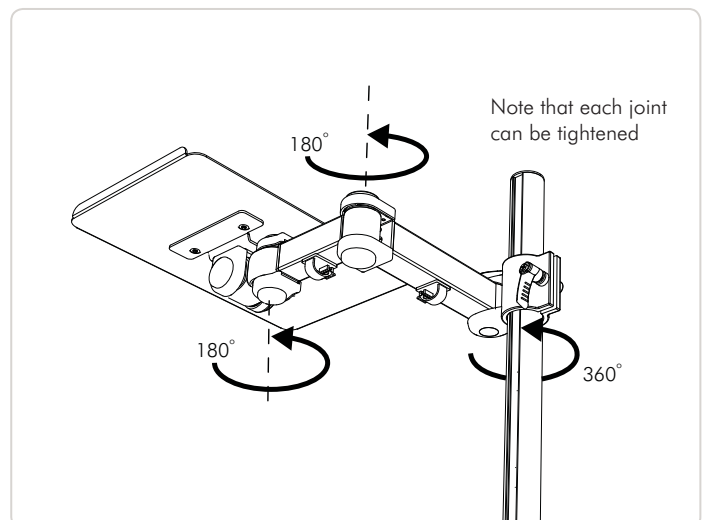
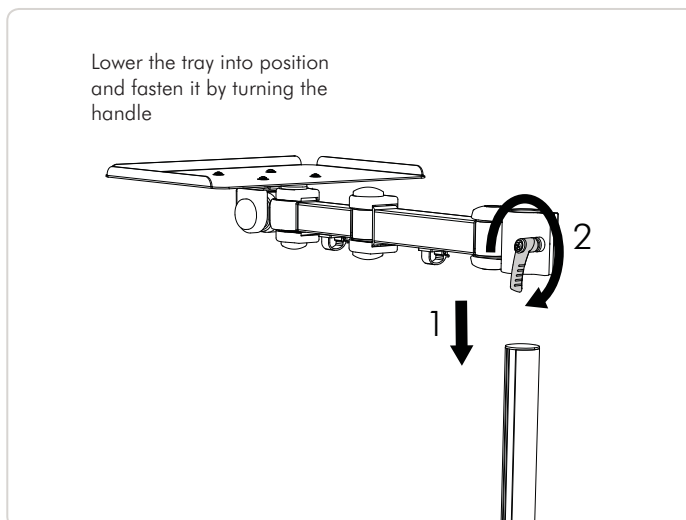
Step 2.

Step 3.

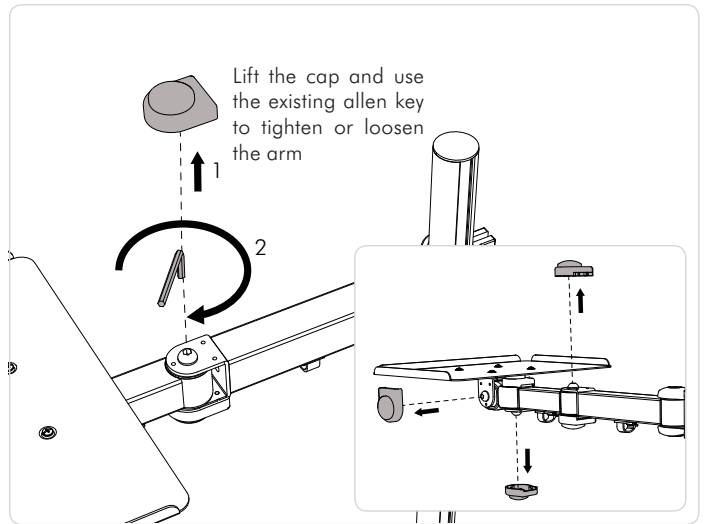
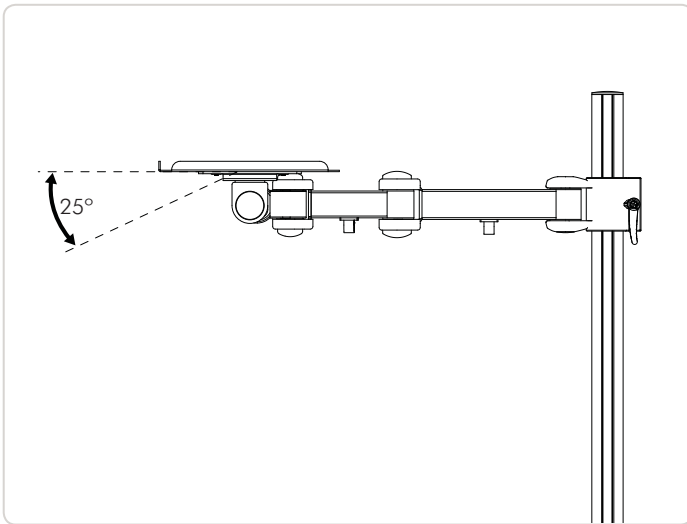


Step 4.

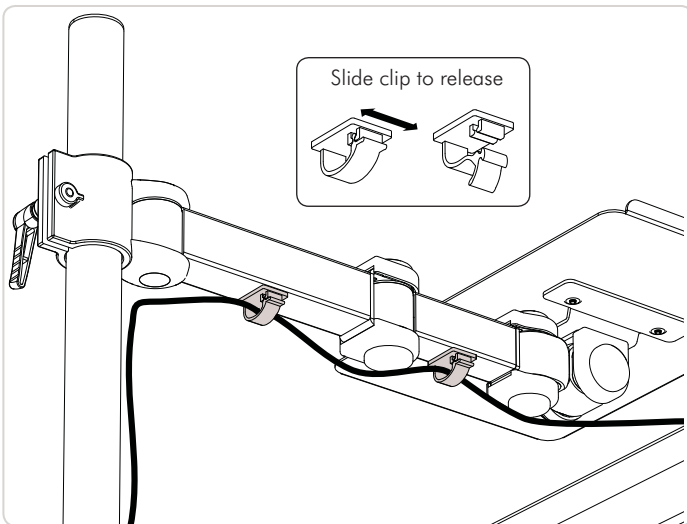
Step 5.



Step 5. Continued



Step 6.



Installation Complete



No portion of this document or any artwork contained herein should be reproduced in any way without the express written consent of Atdec Pty Ltd. Due to continuing product development, the manufacturer reserves the right to alter specifications without notice. Published 14.04.13 ©