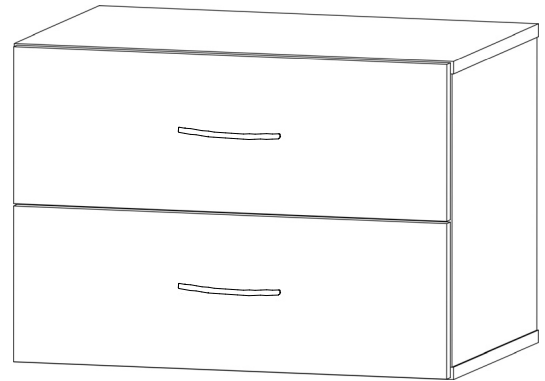




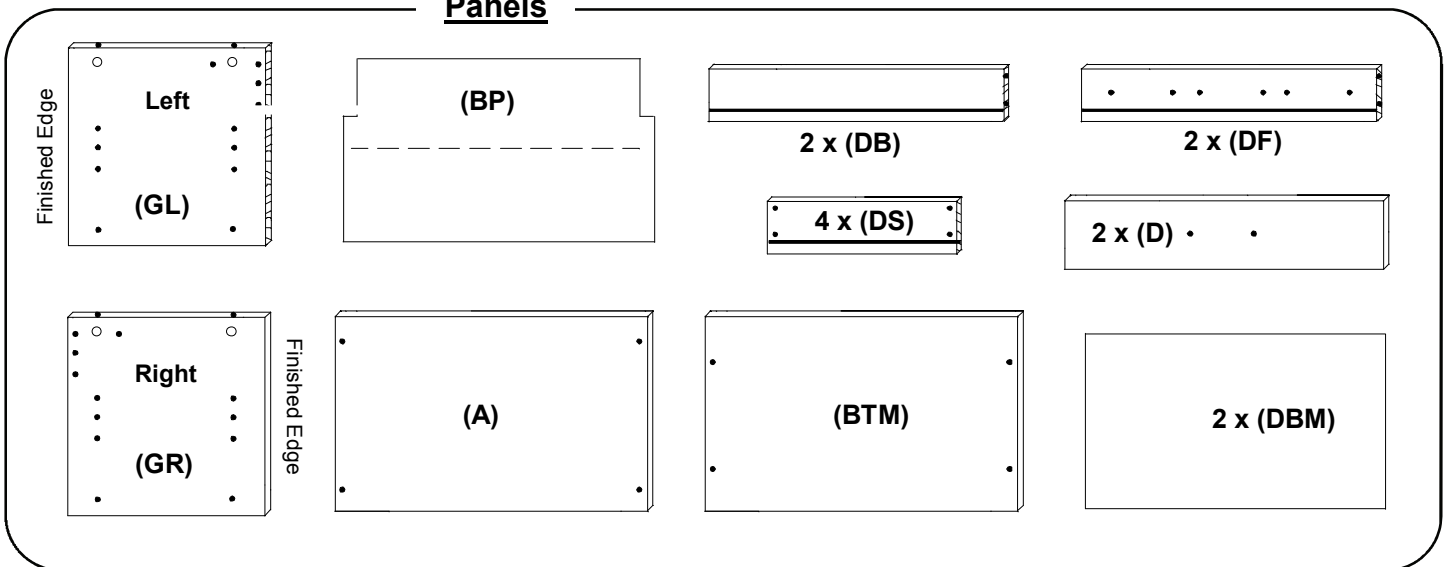
2 DRAWER HANGING CABINET

MODEL #101355A - WHITE
OR #101355KK - OAK

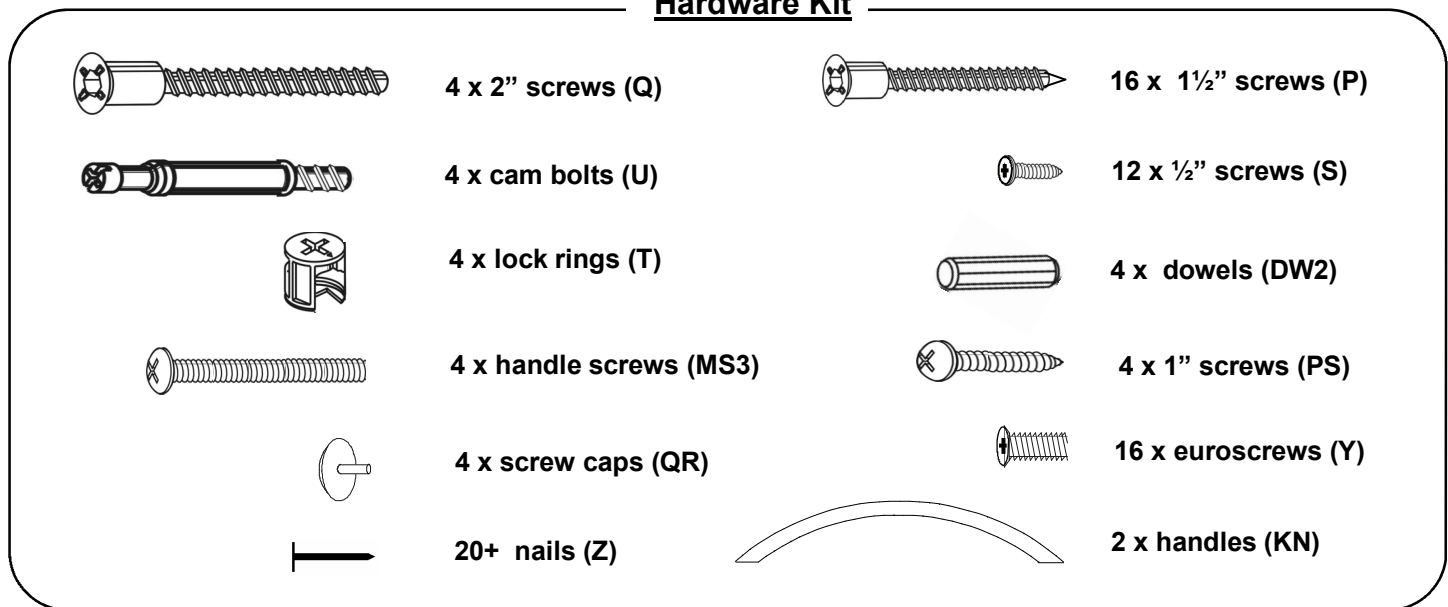
ASSEMBLY INSTRUCTIONS



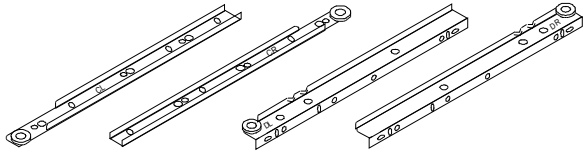
Panels



Hardware Kit

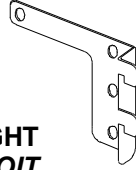


2 x Drawer Rail Sets (M)
2 ensembles de rails pour tiroir

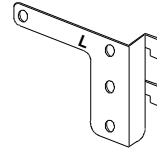


4 - rails marked / 4 rails marqués
CL / CR / DL / DR

Hanging Brackets
Supports de suspension

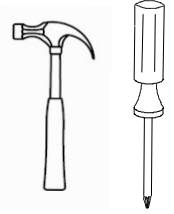


RIGHT
DROIT



LEFT
GAUCHE

Tools Required:



To replace missing or damaged parts, or in case of any other difficulty with this product, please call toll free:

1-800-668-0490 (Canada & U.S.A. Only)

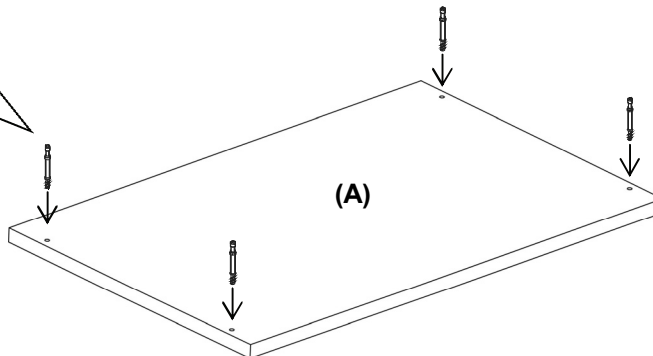
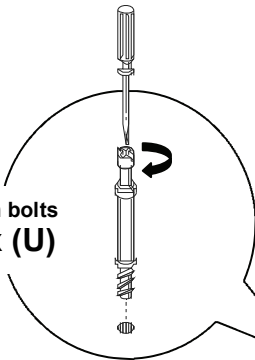
For a service rep. call between 9 am - 5 pm EST. Monday - Friday.

Required Tools: - #2 Phillips screwdriver & hammer.

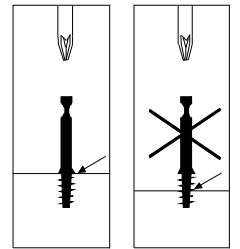
1

CABINET ASSEMBLY

Cam bolts
 4 x (U)



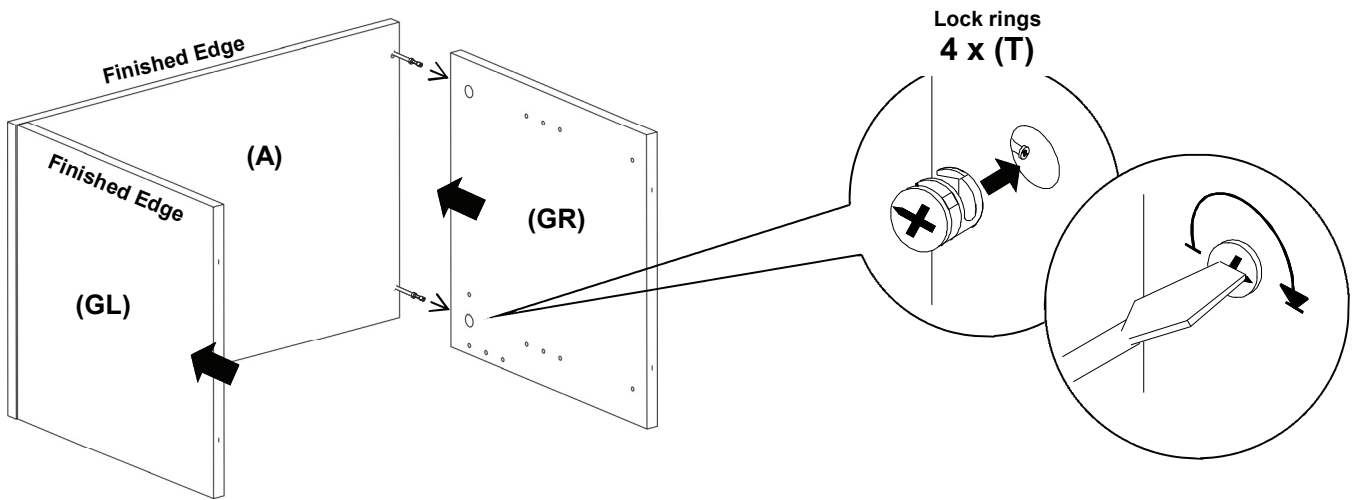
Cam Bolt Installation



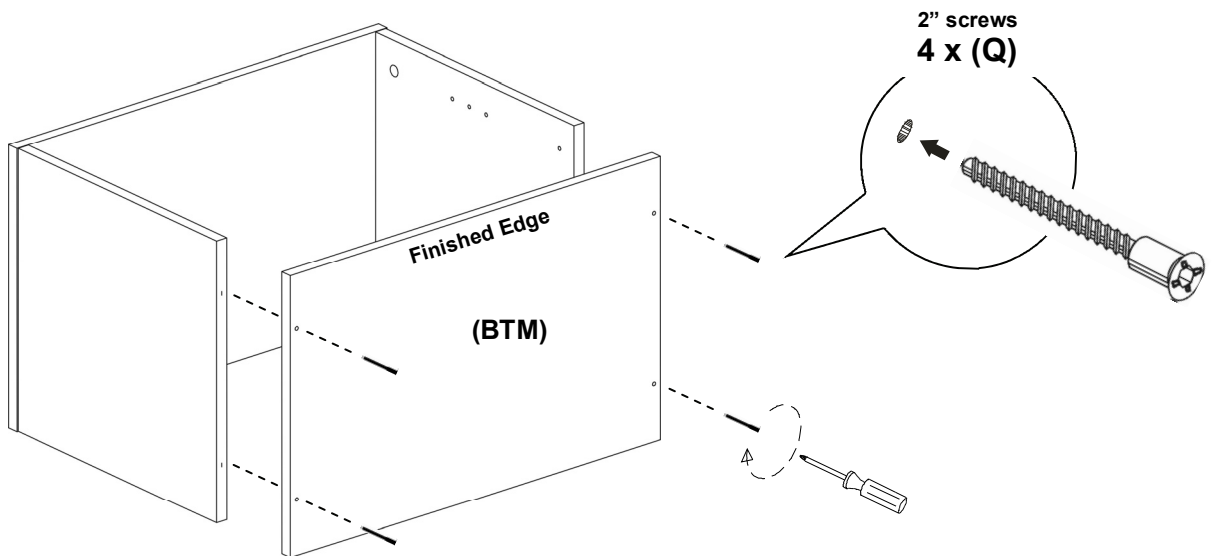
Correct

Incorrect

2

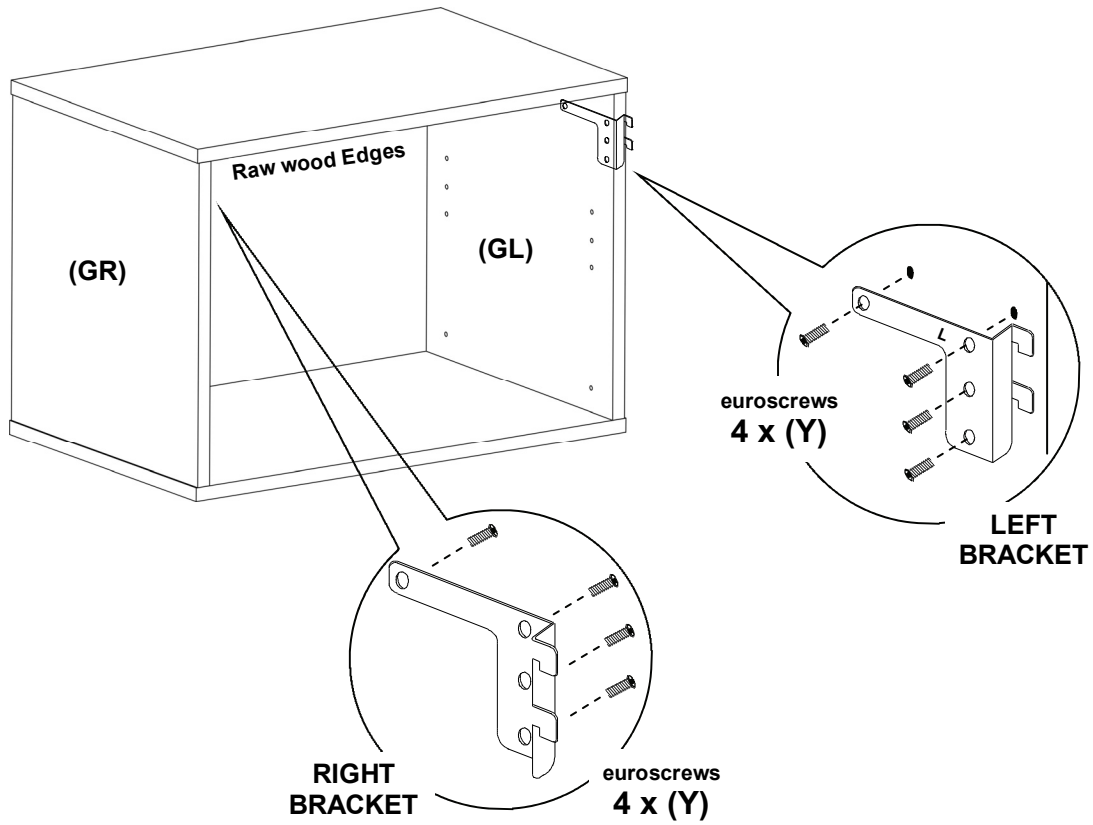


3



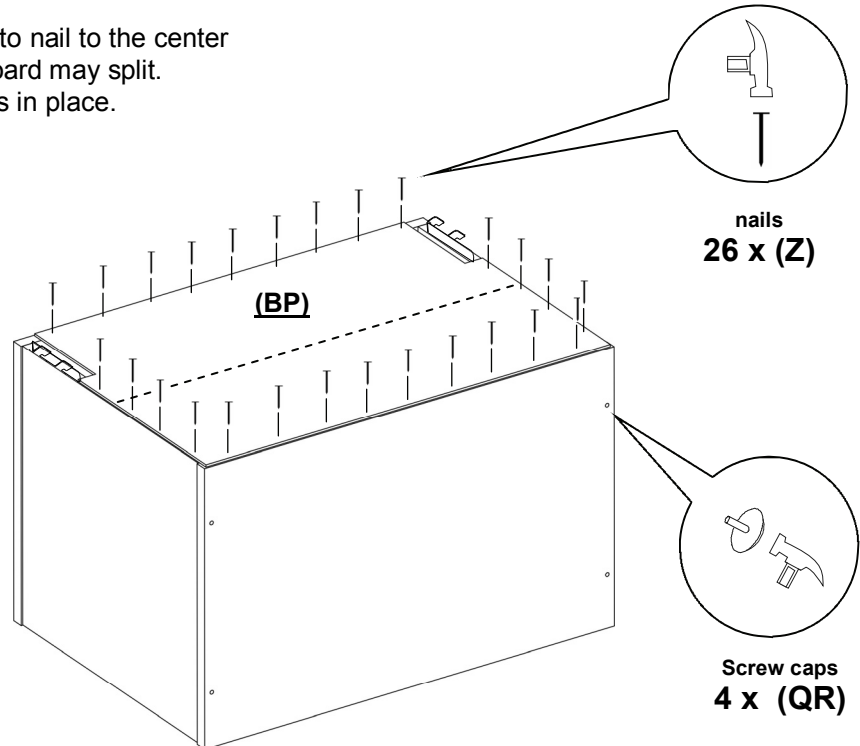
4

REAR VIEW



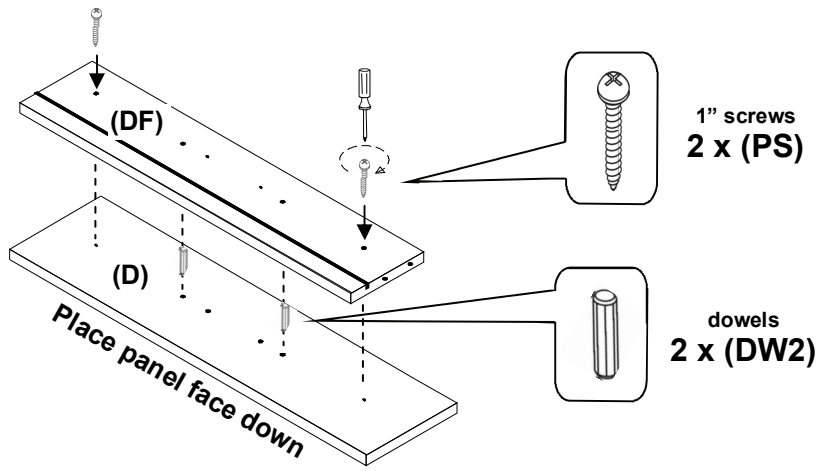
5

- **Caution:** Be careful to nail to the center of the panel as the board may split.
- Gently tap screw caps in place.

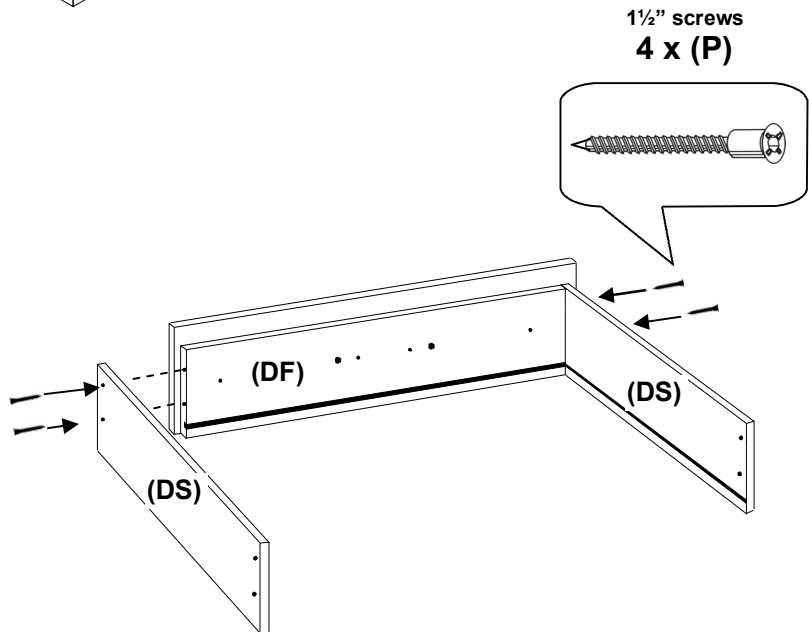


6

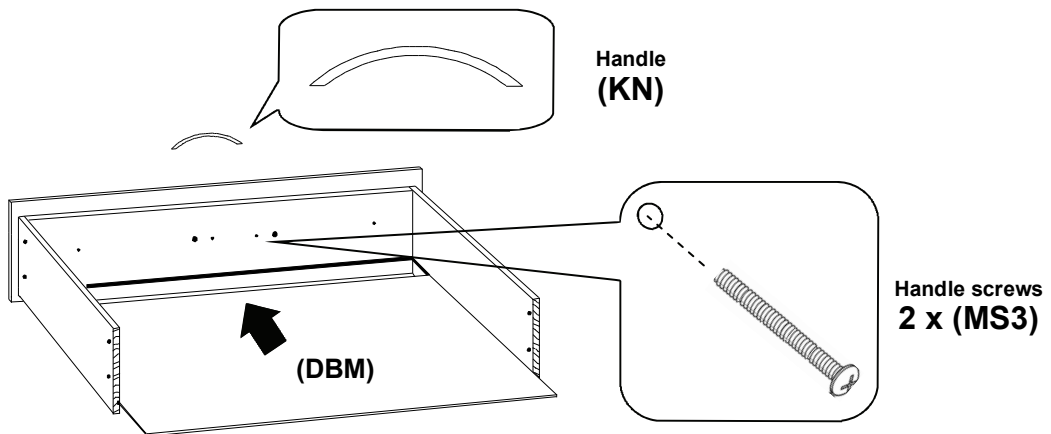
DRAWER ASSEMBLY



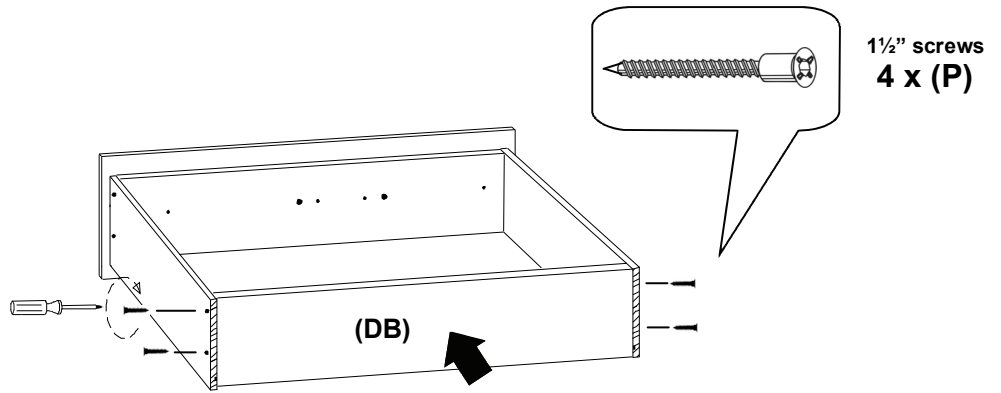
7



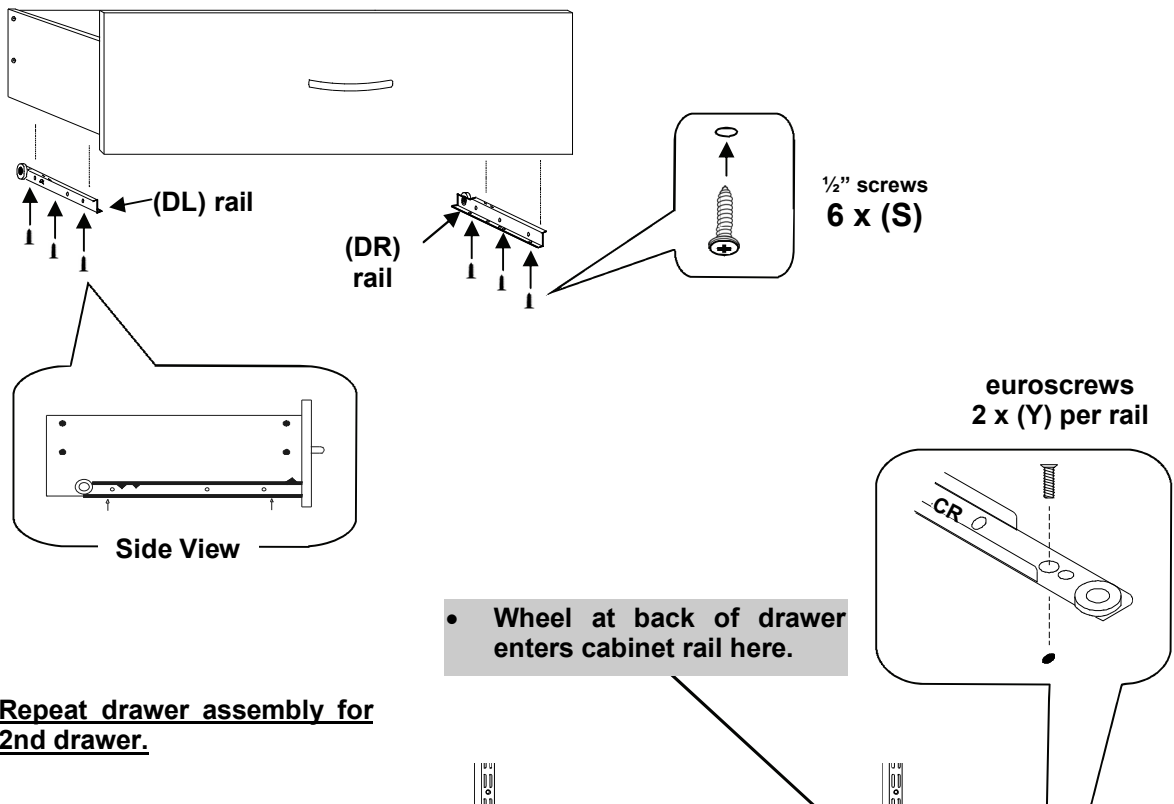
8



9



10



11

- Repeat drawer assembly for 2nd drawer.

- Attach cabinet rails (left CL & right CR) to inside of cabinet with euro screws (Y).
- Mount cabinet to uprights by inserting hanging brackets into inner slots. (uprights sold separately)
- If necessary, loosen screws in uprights to help align with brackets.
- Insert drawers into cabinet.

