

Chair-Height Elongated Bowl 6171.128 & Tank 6171.028

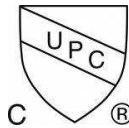
Product features:

- Vitreous China
- Less Supply
- Elongated Bowl – Combination Toilet
- 12" (305 mm) rough-in
- WaterSense certified, High Efficiency Toilet, 1.28 gpf / 4.8 lpf
- Extra large 2 1/8" fully glazed trapway
- Extra large 3" flush valve
- Signature Look comes complete with (solid brass) tank lever and bolt caps in polished chrome finish, and Silent Close™ seat
- ECO quattro flushing technology
- Precisely placed rim jets
- Extra large direct-fed water jet
- L 28 3/4" (730mm) x W 14 3/4" (375mm) x H 32 1/4" (820mm)



Codes / Standards Applicable:

- ASME A112.19.2M
- CSA B45
- IAPMO cUPC®
- EPA WaterSense



Available colors:

- .01 white
- .06 balsa

Specified Model:

Model	Description	Colors
6171.128	Barrymore ECO 2PC HET Chair-Height Elongated bowl	<input type="checkbox"/> .01 white <input type="checkbox"/> .06 balsa
Options	Description	
6171.028	Barrymore ECO HET tank	<input type="checkbox"/> .01 white <input type="checkbox"/> .06 balsa

Product specification:

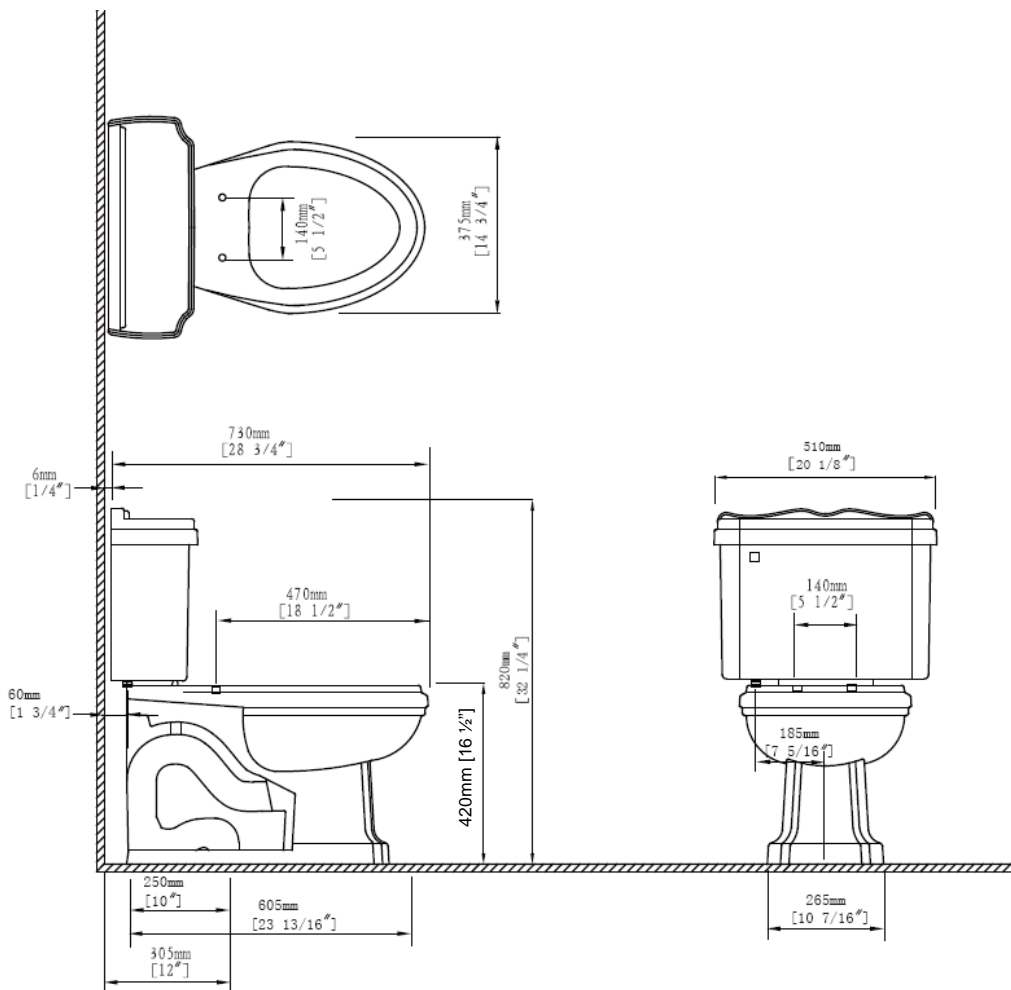
The 2 piece toilet shall be made of Vitreous China. Toilet combination shall be 28 3/4" in length x 14 3/4" in width x 32 1/4" in height. Toilet shall have Elongated bowl with a 16 1/2" rim height. Toilet shall have a 12" rough-in. Toilet shall have the ECO quattro flushing technology with 1.28 gpf / 4.8 lpf. Toilet shall have 2 1/8" glazed trapway and be supply. Toilet shall be St. Thomas Creations Model 6171.128 and tank 6171.028.

Chair-Height Elongated Bowl 6171.128 & Tank 6171.028

Technical information:

Fixture		Included components:	
Configuration	2PC Elongated bowl & tank	Bowl	6171.128.xx
Flushing volume	1.28 gpf / 4.8 lpf	Tank	6171.028.xx
Passageway	2 1/8"	Silent Close Seat	9400.490.xx
Seat post hole centers	5 1/2"	Valve Kit	9400.507.00
Fixture		Weight	Trip Lever
Bowl	L 28 3/4" x W 14 3/4" x H 16 1/2"	54	Bolt caps
Tank	L 7 7/8" x W 20 5/16" x H 15 1/8"	31	Tank lid
			9400.120.xx
			9400.170.xx
			6171.025.xx

Product diagram:



These measurements are subject of change or cancellation. No responsibility will be assumed for use of superseded or voided pages.