

Above Counter Lavatory Basin

BALI HAI II™

16 1/2" x 8 3/4"

Round above counter lavatory. Glazed inside and outside below rim. Complete with template.

Installation Note: Product does not have an overflow. Spout must be tall enough to clear 3 1/2" rim height and provide a 1" air gap per ASME A112.1.2

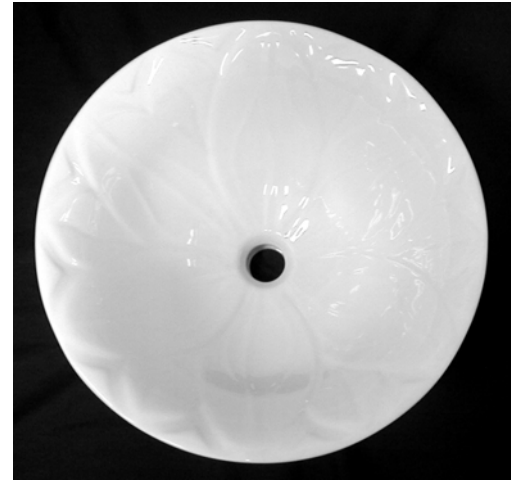
Colors:

- .01 White
- .02 Bone
- .06 Balsa

▪ Please contact customer service for availability of additional colors.

Component of:

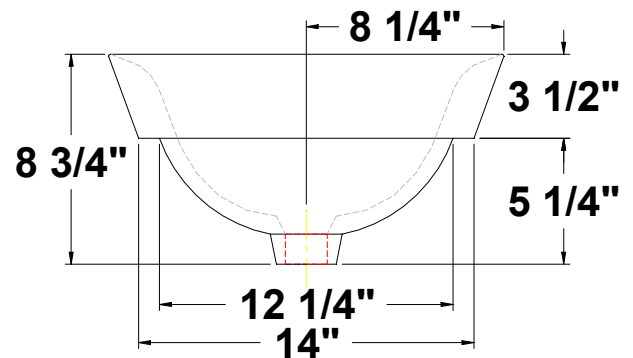
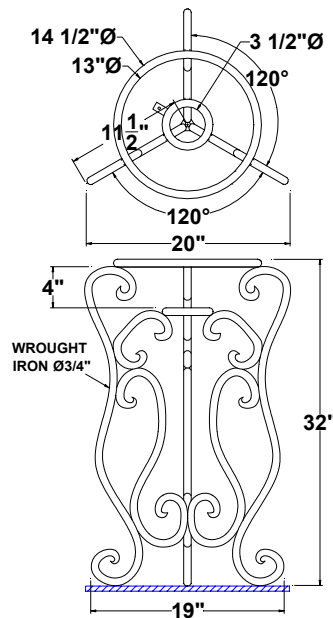
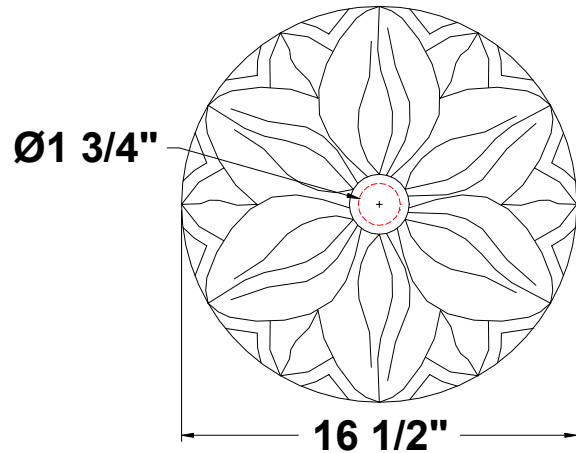
- 1045.450 – Granada Pedestal Stand w/ Bali Hai II
- 1045.460 – Granada Wall Mount w/ Bali Hai II



Fixture Information

Drain outlet	1 3/4" O.D.
Overall dimensions	16 1/2" O.D.
Material	Vitreous china

Bali Hai II bowl designed exclusively for use with the Granada wrought iron stand – Model No. 1044.451



Fixture dimensions meet ANSI/ASME standard A112.19.2M and CAN/CSA requirements. These measurements are subject to change or cancellation. No responsibility will be assumed for use of superseded or voided pages.