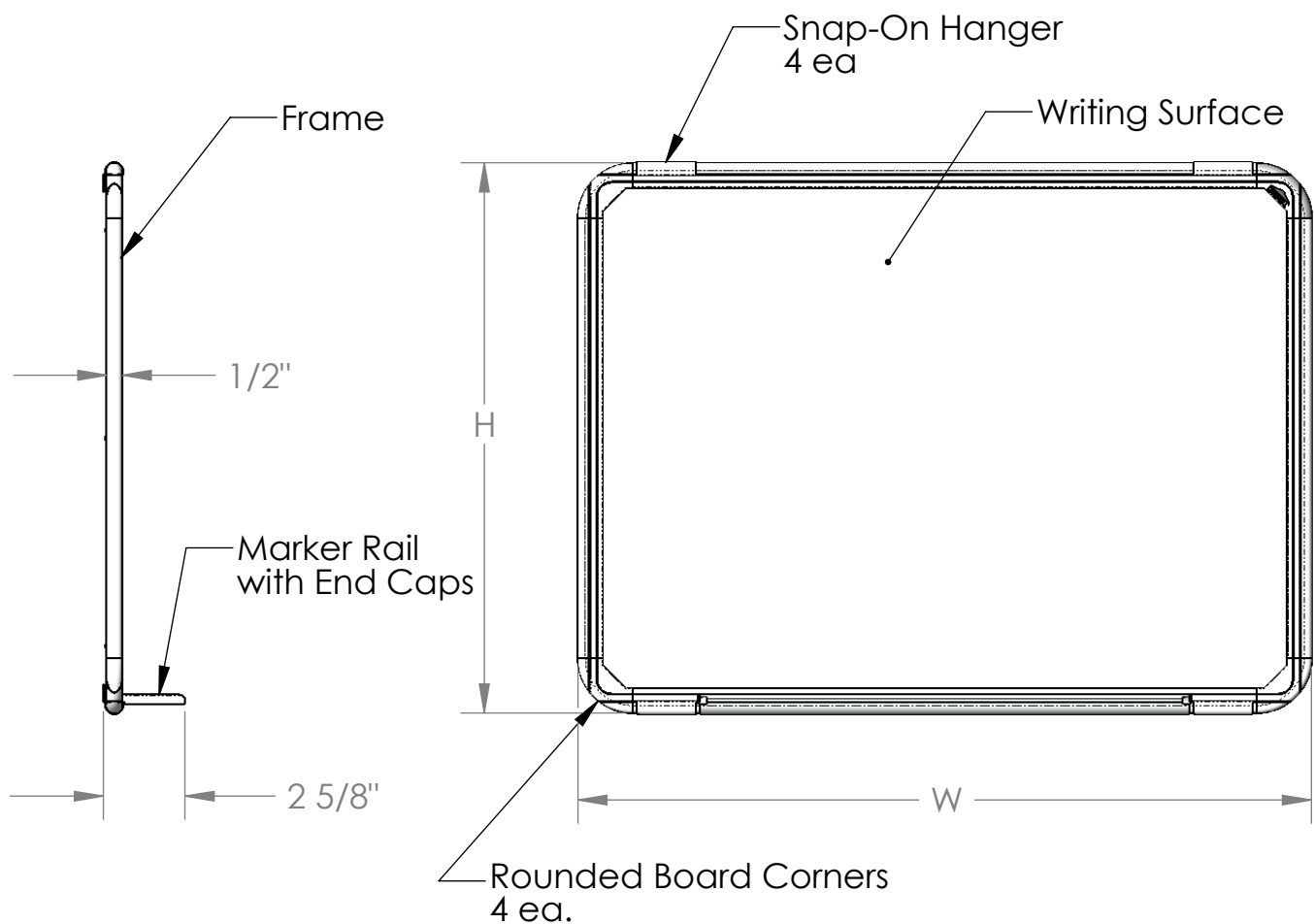


# CTSM3 Series

CINTRA WhiteBoards

ghent.



## Materials:

- Framing, marker rail, and hangers are silver anodized aluminum extrusion
- Board corners and marker rail end caps are grey molded plastic
- Writing surfaces for the marker boards are white enamel coated sheet steel

## Features:

- (1) eraser and (4) color erasable markers included.
- Mounting fasteners (not included) are concealed after installation
- Available in five sizes\*:

18" H x 24" W  
2' H x 3' W  
3' H x 4' W  
4' H x 6' W  
4' H x 8' W

\* sizes are approximate