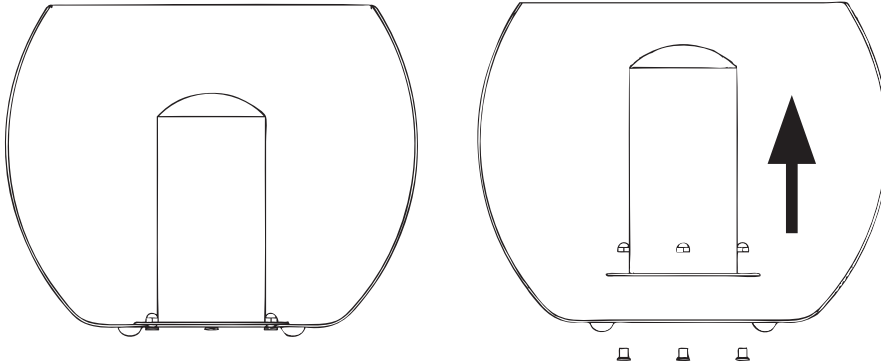


DECORATIVE CONTAINERS for Storage with Style!

CobraCo®

Post Removal Instructions

Our Decorative Hose Holders are shipped with the center post installed to guide the hose. However, the center post can be easily removed leaving a flat bottom for other storage applications.



To Remove the Center Post:

1. Unscrew the 3 nuts holding the center post to the base.
2. Lift center post out of container

Applications

- Hose Holder
- Fire Wood Holder
- Planter
- Magazine Holder

Accessories (sold separately)



Hose Guides protect flower beds from accidental damage from hose



Decorative Container Lids keep out debris and the elements

Tips

- To minimize container movement on grass or mulch, insert a landscape spike through one drainage hole into the ground.
- In colder regions, store containers indoors during winter months.
- If using a container to hold a planter, place a saucer underneath planter to catch water spills and prevent floor damage.