

User's Manual

Support up to 100 lbs / 45 kg 

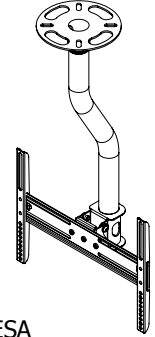
UC-PRO210


Included Mounting Hardware

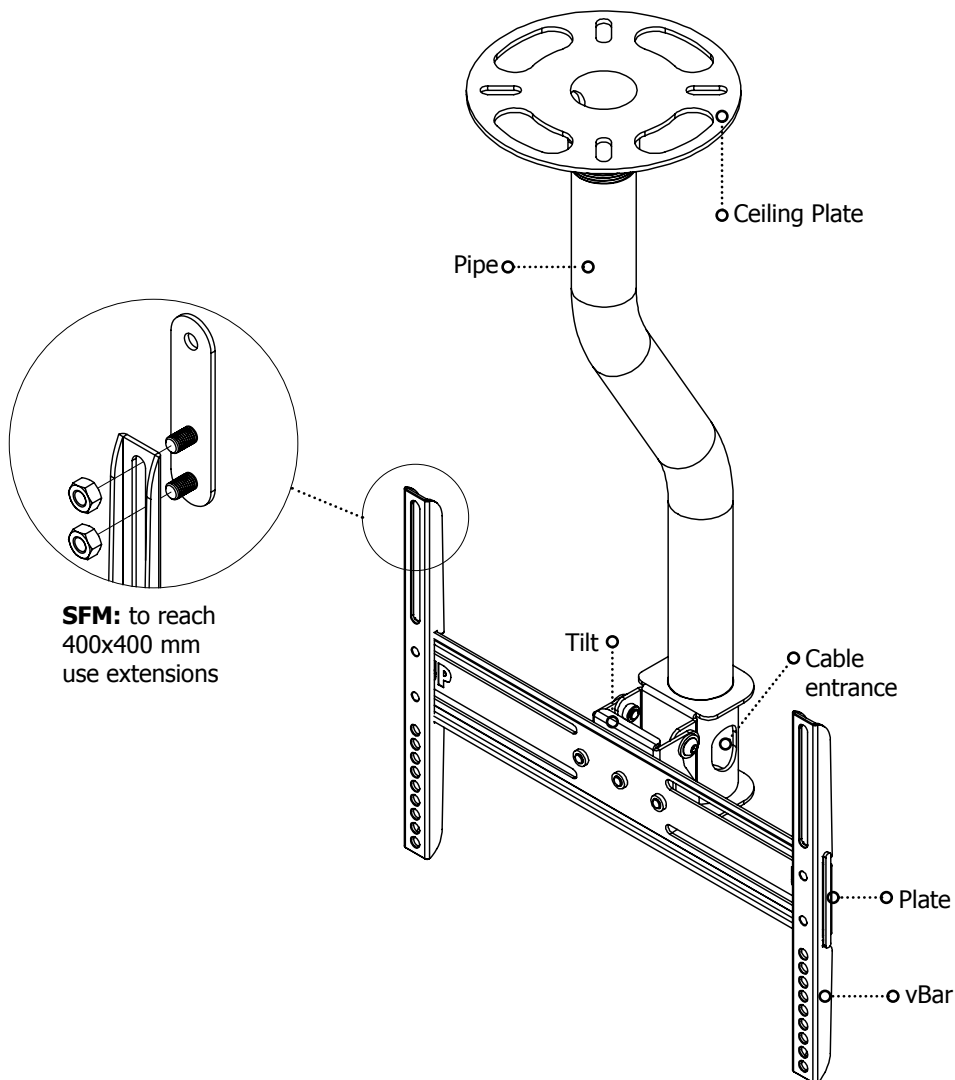
- | | |
|---------------------------------|------|
| 1 Mount | (x1) |
| 2 M5, M6 & M8 x 10 bolts | (x4) |
| 3 M5, M6 & M8 x 15 bolts | (x4) |
| 4 M5, M6 & M8 x 25 bolts | (x4) |
| 5 5/16" x 3" lag bolts | (x4) |
| 6 Concrete anchors | (x4) |
| 7 Ø 10 Washers | (x4) |
| 8 Rectangular washers | (x4) |
| 9 Set screws | (x2) |
| 10 Allen wrench (No. 4 & No. 5) | (x1) |
| 11 vBar & tilt bolts | (x7) |
| 12 Ø 8 Washers | (x7) |

You Will Need

- A Hex wrench
- B Stud Finder
- C Marker
- D Drill
- E 3/16" or 3/8" drill bit



 400 mm VESA extension (x4)












WARNINGS & CAUTIONS

UC-PRO210

IT IS HIGHLY RECOMMENDED THAT THIS PRODUCT BE INSTALLED BY A PROFESSIONAL.

PLEASE REVIEW THIS INSTRUCTION MANUAL COMPLETELY BEFORE STARTING THE INSTALLATION PROCESS.

-  **WARNING:** A WARNING alerts you to the possibility of serious injury or death if you do not follow the instructions.
-  **CAUTION:** A CAUTION alerts you the possibility of damage or destruction of equipment if you do not follow the corresponding instruction.
-  **WARNING:** Improper installation can result in serious personal injury! Make sure that the structural members can support a weight factor five times the total weight of the equipment. If not, reinforce the structure before starting the installation.
-  **WARNING:** Be aware also of the potential for personal injury or damage to the unit if it is not adequately mounted.
-  **WARNING:** The installer is responsible for verifying that the wall or ceiling to which the the mount is anchored will be safely support the combined load of all attached components or other equipment.
-  **WARNING:** The weight of the display placed on the mount must not exceed the maximum load capacity of the mounts.
-  **WARNING:** Watch for pinch points. Do not put your fingers between movable parts.
-  **WARNING:** Make sure the mount and brackets are correctly oriented.
-  **CAUTION:** Check the unit for shipping damage before you begin the installation.

Disclaimer:

ProMounts intends to make this manual accurate and complete. However, ProMounts makes no claim that the information contained herein covers all details, conditions or variations, nor does it provide for every possible contingency in connection with the installation or use of this product. The information contained in this document is subject to change without notice or obligation of any kind. ProMounts makes no representation of warranty, expressed or implied, regarding the information contained herein. ProMounts assumes no responsibility for accuracy, completeness or sufficiency of the information contained in this document.

FOR MORE INFORMATION VISIT

www.promounts.com

ProMounts™ name, logo and model numbers are property of ProMounts.

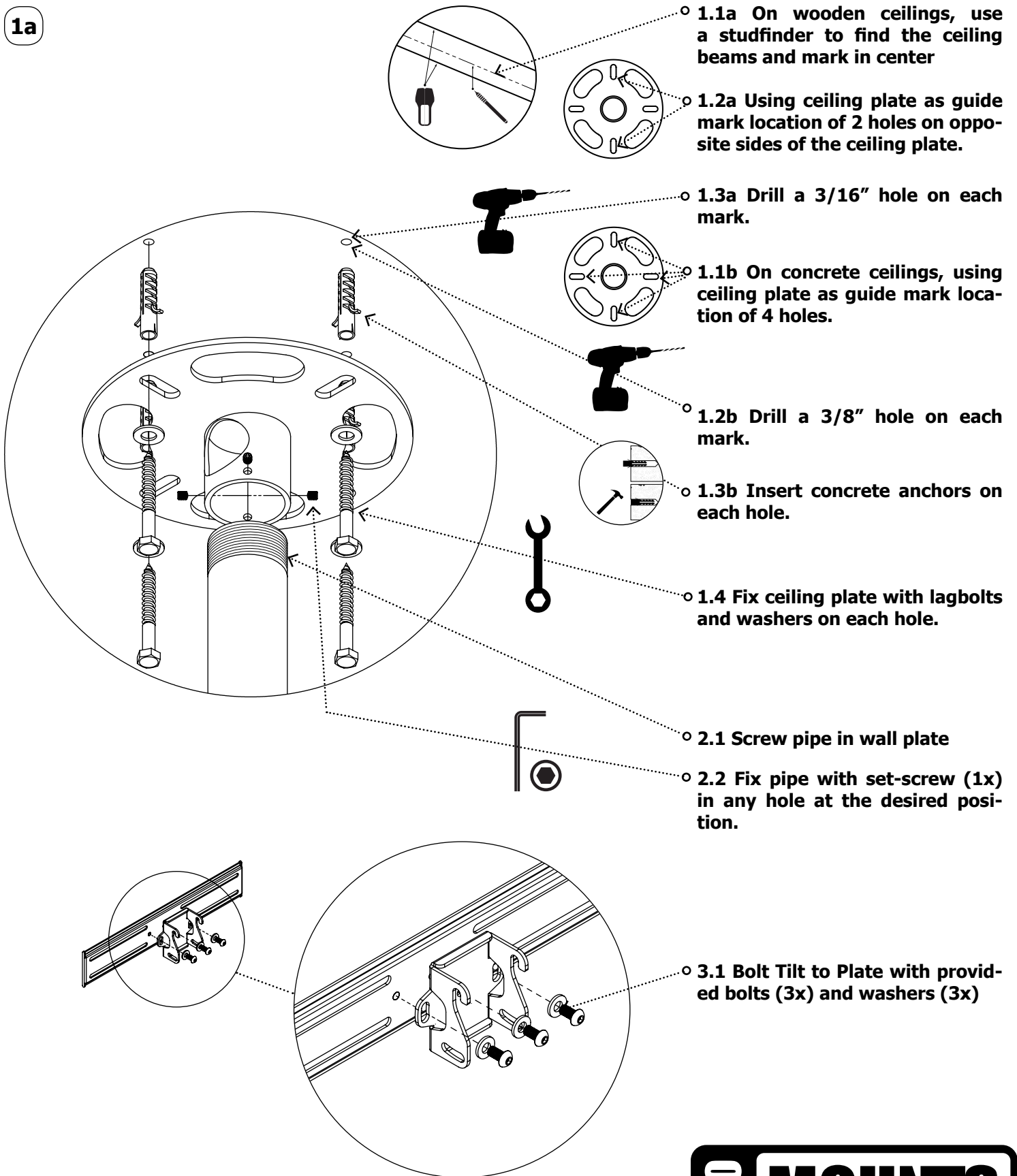
© ProMounts™ 2010



INSTALLATION

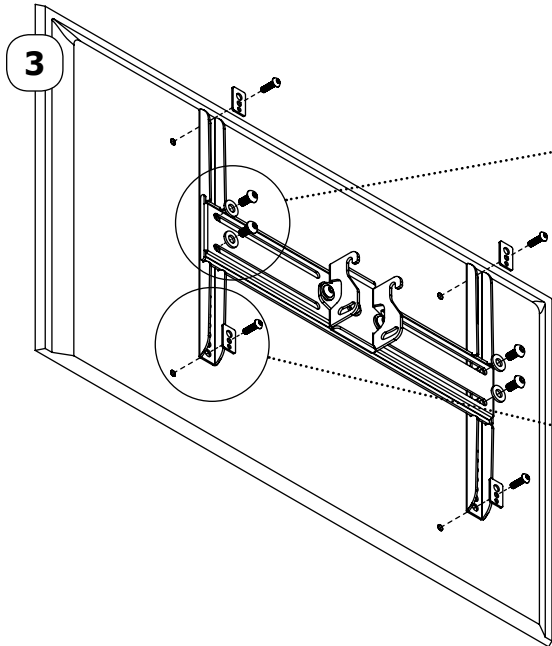
UC-PRO210

1a

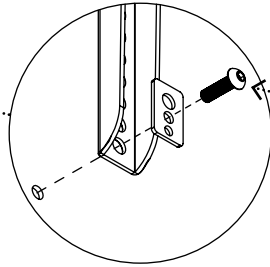


INSTALLATION (2)

UC-PRO210

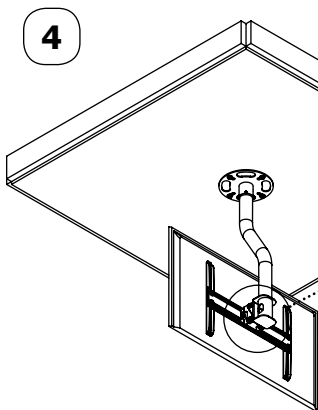


4.1 Bolt vBars (2x) to the wall plate (1x) using M8 bolts (4x) and Ø washers (4x) without tightening. Slide vBars sideways evenly until they match the hole pattern of the TV and it is centered.



4.2 Attach TV using supplied M5, M6 or M8 bolts (4x), and rectangular washers (4x).

4.3 Re-tighten all vBar bolts (4x).



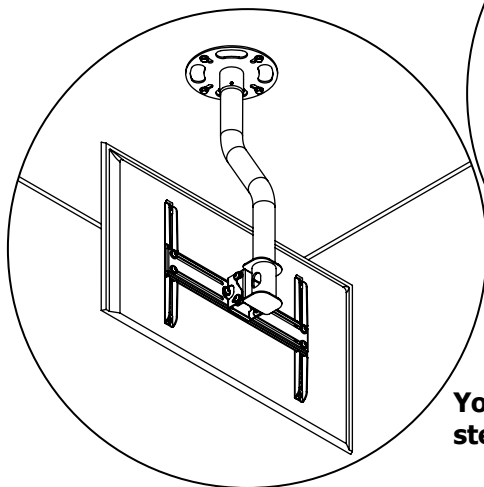
5.1 Loosen upper bolts (2x) from tilt until space between washer and tilt is around 1/8" or 3.5 mm.

5.2 Remove lower bolts (2x) and washers from tilt piece.

5.3 Hang tilt hooks from upper loosened bolts (2x).

5.4 Re-attach removed bolts and washers through tilt slot (2x).

5.5 Position mount at the desired tilt angle and tighten all bolts (4x).



6.1 Pass cables through pipe up to ceiling.

Your installed mount after steps 1 through 6.

