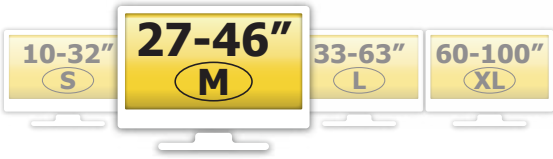


NEW

Ultra Slim

Articulating



SAM

LCD
LED
Plasma

80 lbs
36 kg

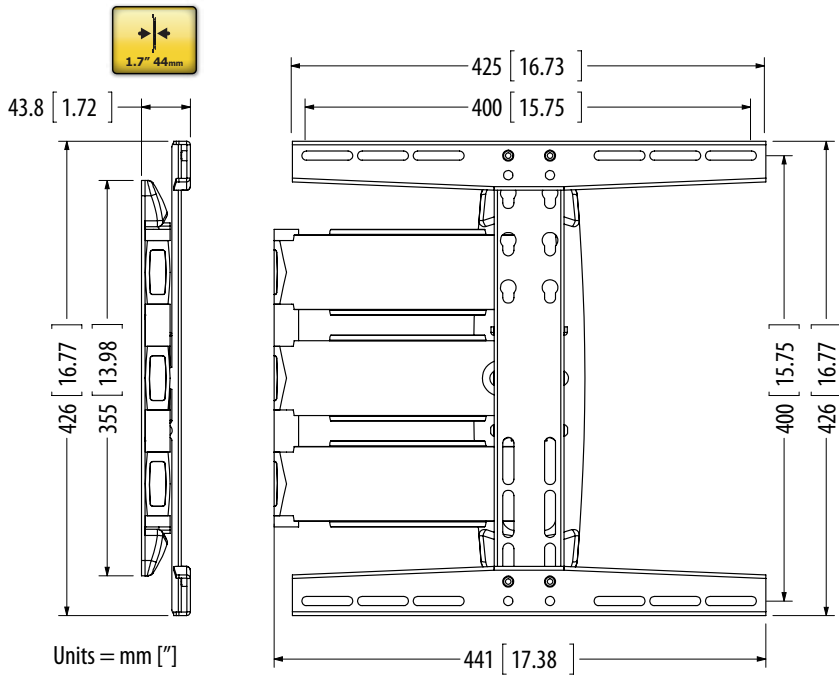
15°

18.9"

1.7"



NEW



Units = mm ["]



Compatible
Compatible
Compatible



Supports
Soporta
Poid Maximal



Tilts
Inclinable
Inclinaison



Extends
Extiende
Extensible



Distance from Wall
Distancia al Muro
Distance au Mur



VESA Compliant
Compatible con VESA
Compatible VESA



Hardware Included
Elementos de Instalación Incluidos
Fournitures diverses et notice de montage



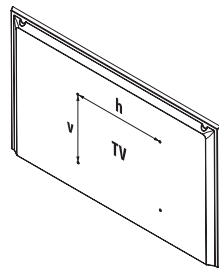
Color
Color
Couleur

Included Mounting Hardware

1. Mount (x1)
2. M4 x 10, 15 & 25 mm bolts (x4)
3. M5 x 10, 15 & 25 mm bolts (x4)
4. M6 x 10, 15 & 25 mm bolts (x4)
5. M8 x 10, 15 & 25 mm bolts (x4)
6. Rectangular washers (x4)
7. Concrete anchors (x2)
8. Round washers (x2)
9. 5/16" lag bolts (x2)
10. Mounting template (x1)
11. Allen key (x2)
12. Wrench (x1)

You Will Need

- A. Bubble level
- B. Stud finder
- C. Marker
- D. Drill
- E. 3/16" (wood) or 1/2" (concrete) drill bit
- F. Hammer
- G. Wrench

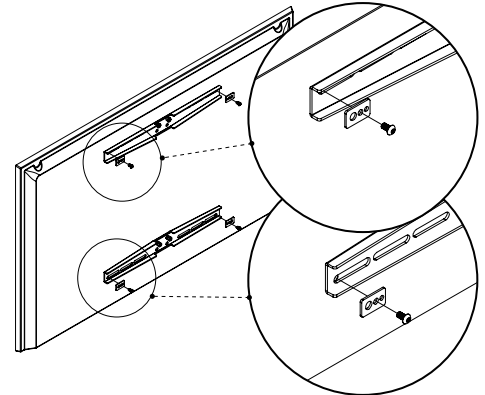
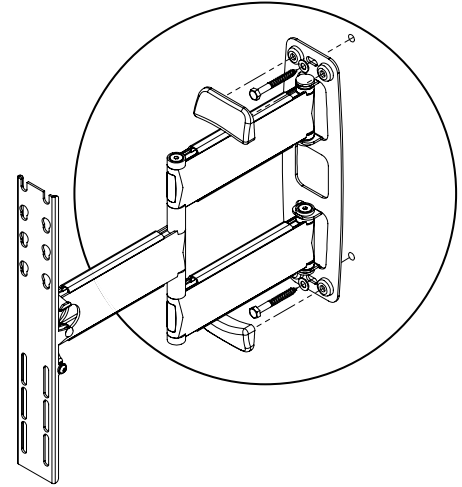


h x v	h x v	h x v	h x v	
200 x 200	300 x 300	400 x 300	400 x 400	mm
7.9 x 7.9	11.8 x 11.8	15.7 x 11.8	15.7 x 15.7	inches

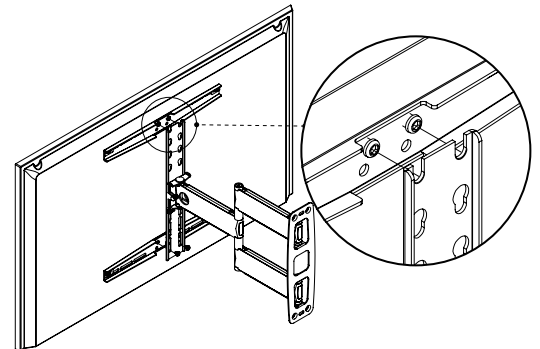


To Install:
(details in manual)

1 Bolt arm to wall



3 Hang TV on arm



Package Weight:

11.9 lbs
5.4 kg

Package Dimensions WxHxD:

19.3" x 13.7" x 3"
490 mm x 347 mm x 76 mm

Mounting:

We recommend that this product be installed by a professional A/V installer

Architects and Consultants:

Please contact ProMounts customer service for necessary drawings and files. For complete high resolution images, technical specifications and drawings please visit www.promounts.com and click on Download Center.

5741 Buckingham Parkway, Unit C,
Culver City, CA 90230, USA
Phone: 866 668 6872 or 310 645 6400
Fax: 310 645 0189

info@promounts.com
www.promounts.com

SAM