

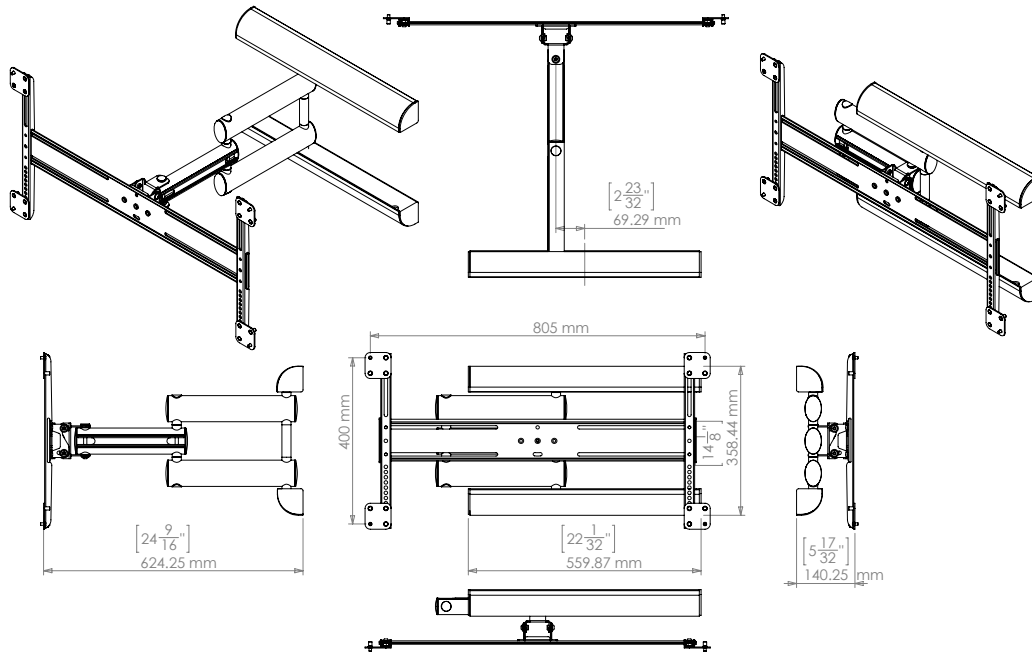
Black

**Maximum Load 125 lbs (57 kg)**[www.promounts.com](http://www.promounts.com)

## Universal Articulating Mount for 30" to 55" TV's

An extremely flexible, articulated and retractable wall mount for medium flat panel screens. Heavy duty dual-arm designed for maximum extension, flush folding to the wall, viewing from any room position, inside corner and around corner mounting. attaches to a wood single stud and concrete or aggregate walls with included hardware.

- VESA from 200 x 200 to 800 x 400
- Extends up to 24" from the wall
- Removable arm inserts for complete and easy cable management
- Attractive end caps conceal tensioning hardware
- All screen and mounting hardware included



## Maximum Load 125 lbs (57 kg)

### Specifications

#### Weight

Estimated: 25 lbs (11.4 kg)

#### Mounting

We recommend that this product be installed by a professional A/V installer

#### Dimensions

TBA

Architects and Consultants: please contact ProMounts customer service for necessary drawings and files. For complete high resolution images, technical specifications and drawings please visit [www.promounts.com](http://www.promounts.com) and click on Download Center.

**ProMounts:** 5741 Buckingham Parkway, Unit C, Culver City, CA 90230 **Phone:** 866 668 6872, or 310 645 6400 **Email:** [info@promounts.com](mailto:info@promounts.com) Fax: 310 645 0189 **ProMounts** is a division of Scadlock LLC