

User's Manual

Support up to 80 lbs / 36 kg (SFTM) & 120 lbs / 54 kg (SFTL) 

Included Mounting Hardware

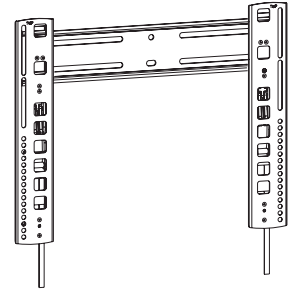
1 Mount (SFTL or SFTM)	(x1)
2 M4, M5 & M6 x 10 bolts	(x4)
3 M4, M5 & M6 x 15 bolts	(x4)
4 M4, M5 & M6 x 25 bolts	(x4)
5 5/16" x 3" lag bolts	(x4)
6 5/16" washers	(x4)
7 Concrete Anchors	(x4)
8 Rectangular washers	(x4)

You Will Need

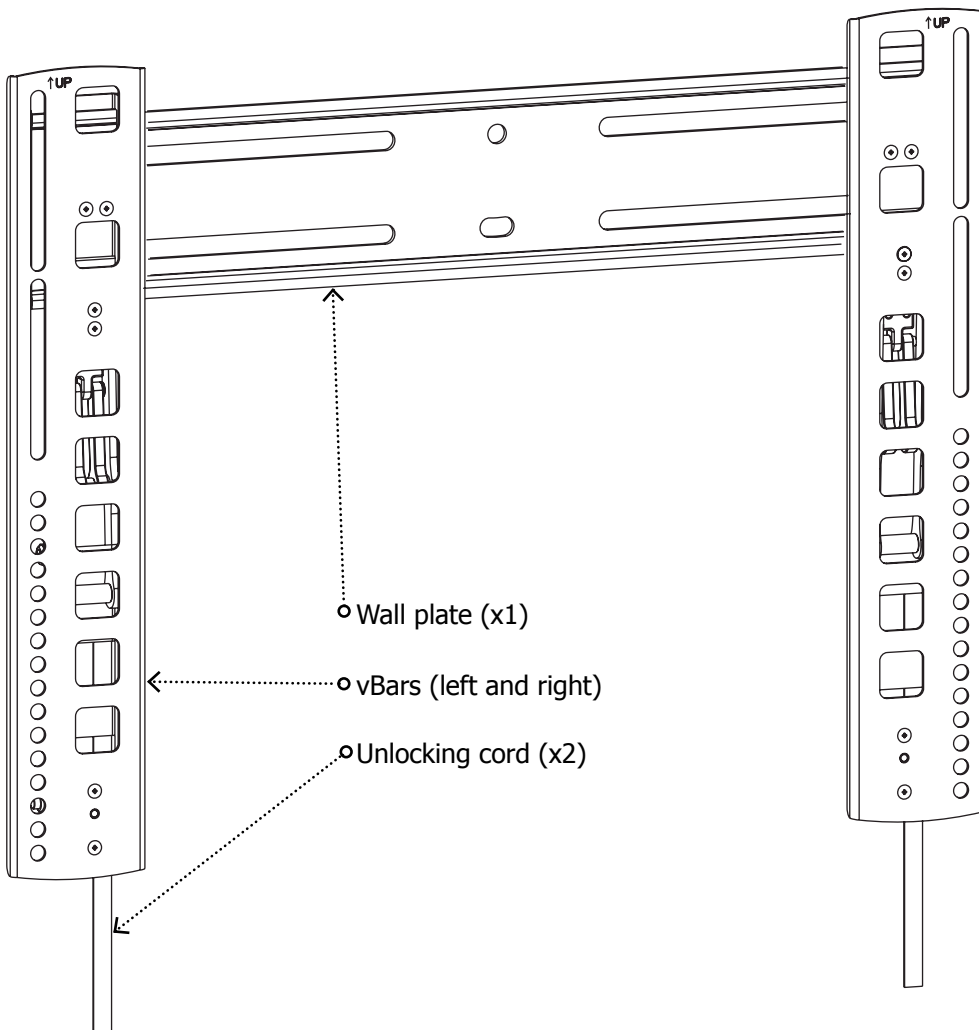
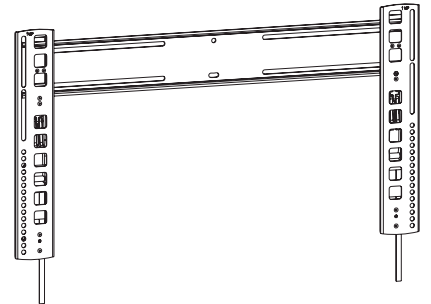
- A Level
- B Stud Finder
- C Marker
- D Drill
- E 3/16" or 3/8" drill bit
- F Hammer

SFTM & SFTL

SFTM



SFTL












WARNINGS & CAUTIONS

SFTM & SFTL

IT IS HIGHLY RECOMMENDED THAT THIS PRODUCT BE INSTALLED BY A PROFESSIONAL.

PLEASE REVIEW THIS INSTRUCTION MANUAL COMPLETELY BEFORE STARTING THE INSTALLATION PROCESS.

-  **WARNING:** A WARNING alerts you to the possibility of serious injury or death if you do not follow the instructions.
-  **CAUTION:** A CAUTION alerts you the possibility of damage or destruction of equipment if you do not follow the corresponding instruction.
-  **WARNING:** Improper installation can result in serious personal injury! Make sure that the structural members can support a weight factor five times the total weight of the equipment. If not, reinforce the structure before starting the installation.
-  **WARNING:** Be aware also of the potential for personal injury or damage to the unit if it is not adequately mounted.
-  **WARNING:** The installer is responsible for verifying that the wall or ceiling to which the the mount is anchored will be safely support the combined load of all attached components or other equipment.
-  **WARNING:** The weight of the display placed on the mount must not exceed the maximum load capacity of the mounts.
-  **WARNING:** Watch for pinch points. Do not put your fingers between movable parts.
-  **WARNING:** Make sure the mount and brackets are correctly oriented.
-  **CAUTION:** Check the unit for shipping damage before you begin the installation.

Disclaimer:

ProMounts intends to make this manual accurate and complete. However, ProMounts makes no claim that the information contained herein covers all details, conditions or variations, nor does it provide for every possible contingency in connection with the installation or use of this product. The information contained in this document is subject to change without notice or obligation of any kind. ProMounts makes no representation of warranty, expressed or implied, regarding the information contained herein. ProMounts assumes no responsibility for accuracy, completeness or sufficiency of the information contained in this document.

FOR MORE INFORMATION VISIT

www.promounts.com

ProMounts™ name, logo and model numbers are property of ProMounts.

© ProMounts™ 2010

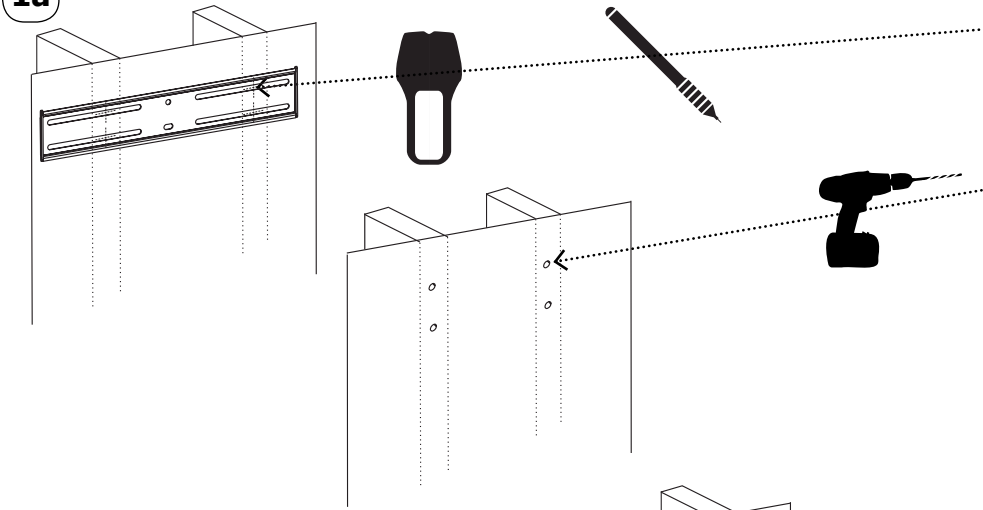


INSTALLATION

SFTM & SFTL

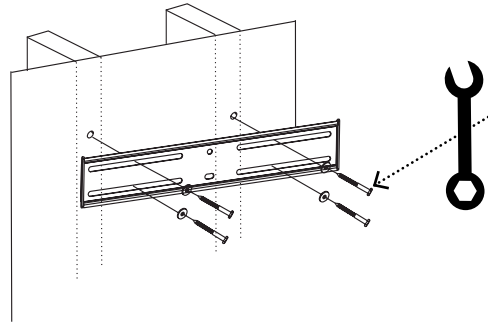
1a

Drywall installation



○ 1.1a Locate the wall studs and using the wall plate as a template mark the location where you want to install the mount (x4)

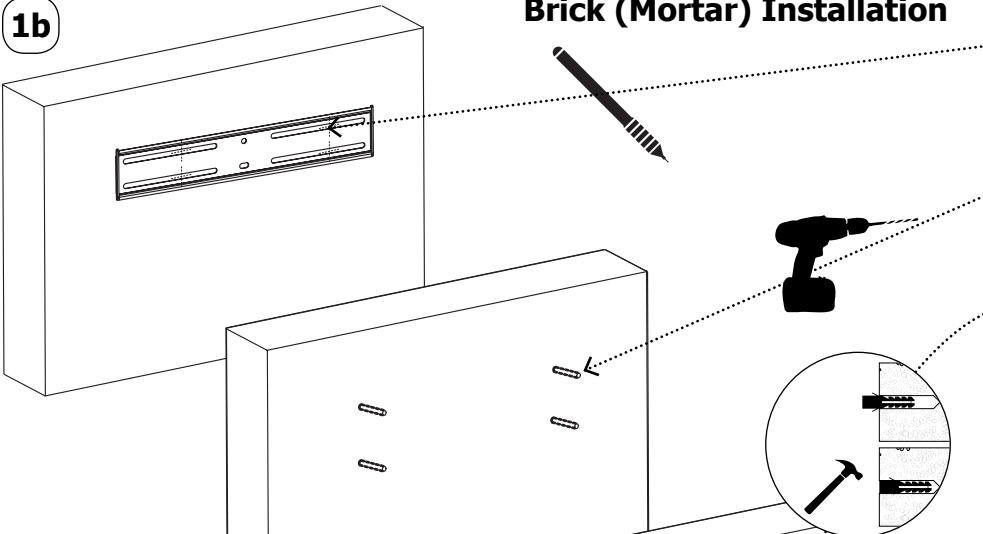
○ 1.2a Drill a 3/16" hole on each mark.



○ 1.3a Fix the wall (x1) plate with the lag bolts (x4) and washers (x4)

1b

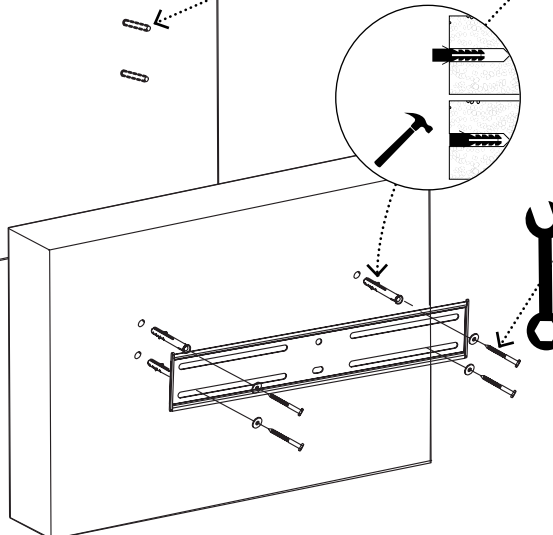
Brick (Mortar) Installation



○ 1.1b Using the wall plate as a template mark the location where you want to install the mount (x4)

○ 1.2b Drill a 3/8" hole on each mark.

○ 1.3b Insert the concrete anchors on each hole and use a hammer to make them flush to the wall.



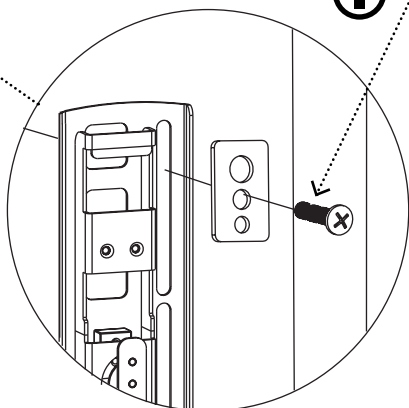
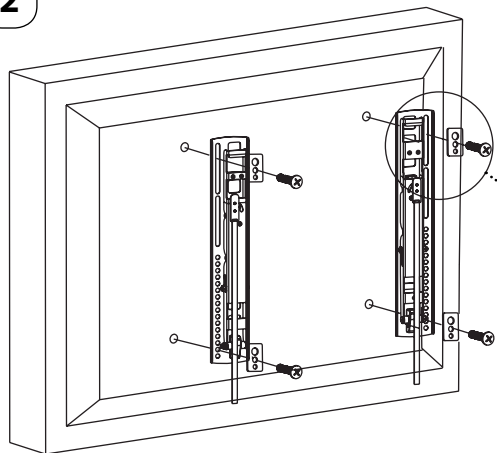
○ 1.4b Fix the wall (x1) plate with the lag bolts (x4) and washers (x4)



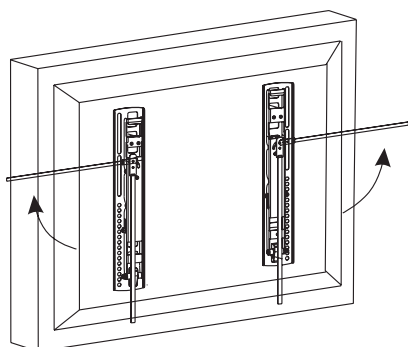
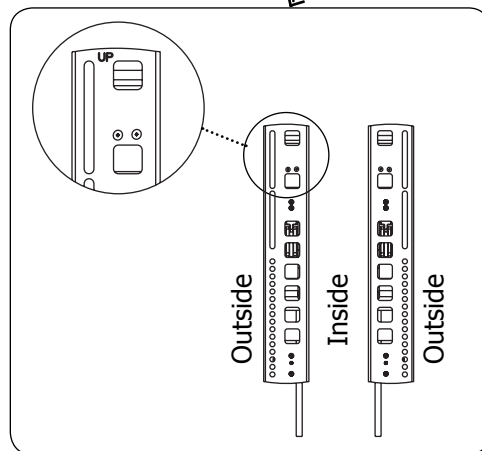
INSTALLATION (2)

SFTM & SFTL

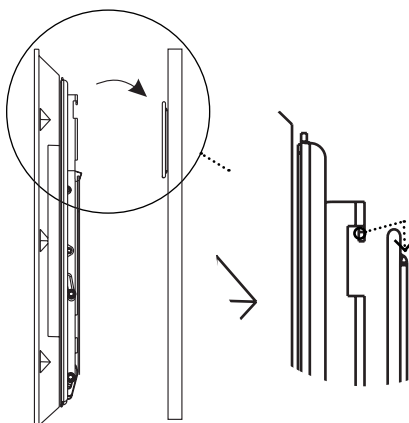
2



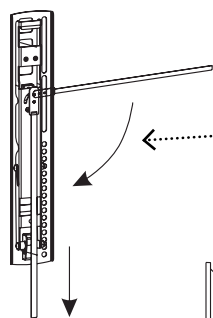
2.1 Bolt vBars (x2) to TV using M4, M5 or M6 bolts (x4) and square washers (x4). Do not overtight. Make sure you position the vBars right (left-right and up-down) by following the diagram.



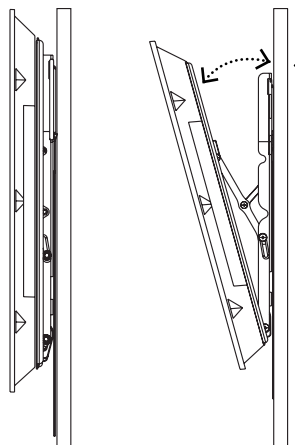
2.2 Unlock the vBars (x2) by pulling the cords (x2) out and up.



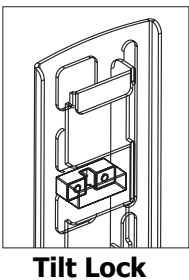
2.3 Hang TV on wall plate from the top hooks of the vBars.



2.4 Push TV against wall and pull down cords to lock TV to wall plate. Make sure its locked by gently pulling TV from wall.



2.5 Adjust TV tilt angle by pulling upper edge of TV. You can lock TV at 0° by pushing until you hear the the tilt lock doing "click".



Tilt Lock

