



SILVER



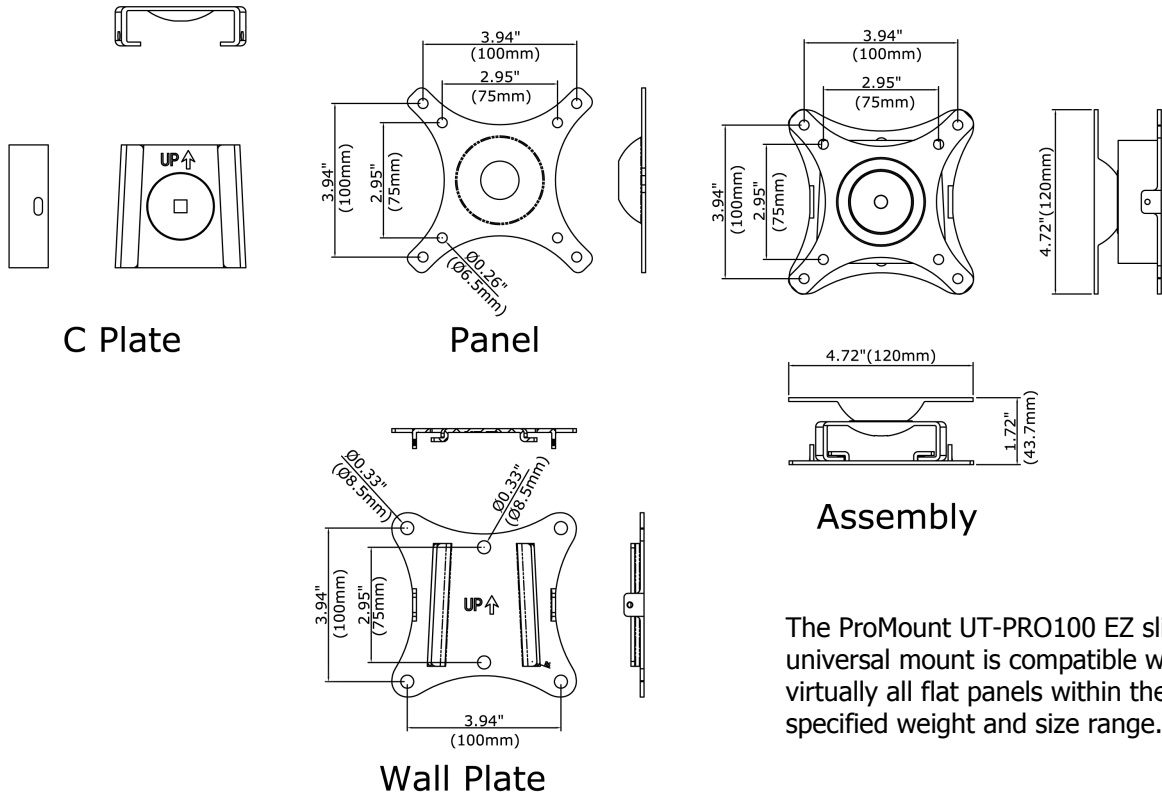
MAXIMUM LOAD 40LBS (18.2KG)

www.promounts.com

Universal Tilt and Pivot Mount for 10" to 24" flat panels

With its small footprint and slim design, the UT-PRO100 EZ Slide universal tilt and pivot mount is designed for flat panel displays up to **40lbs (18.2kg)**. EZ Slide allows fast removal and maintenance in high use environments. Adjustment of +20 to -20 degrees is available in both tilt and pivot axes. Wall attachment is to a single wood stud or concrete.

- Fully assembled mounting plate
- Slim design only 1.7" deep, but allows ample room for cables
- VESA compliant 75, 100
- Vertical or horizontal installation
- All panel and wall mounting hardware included
- Includes security hardware
- Manufacturer's limited lifetime warranty



The ProMount UT-PRO100 EZ slide universal mount is compatible with virtually all flat panels within the specified weight and size range.

MAXIMUM LOAD 40LBS (18.2KG)

Specifications

Fits most flat panels between 10" and 24"
Horizontal and vertical hole spacing:
2.95" (75mm) and 3.94" (100mm)
Tilts in any direction (360 degrees):
+20 to -20 degrees
VESA compliant: 75, 100

Weight

1.3lbs (0.6kg)

Dimensions

4.8"w x 4.8"d x 2.2"h
(122mm x 122mm x 56mm)

Wall Mounting

Single wood stud or concrete

Architects and Consultants: please contact ProMounts customer service for necessary drawings and files. For complete high resolution images, technical specifications and drawings please visit www.promounts.com and click on Download Center.

ProMounts: 5741 Buckingham Parkway, Unit C, Culver City, CA 90230 **Phone:** 866 668 6872, or 310 645 6400 **Email:** info@promounts.com **Fax:** 310 645 0189 **ProMounts** is a division of Scadlock LLC