
HOLTKÖTTER INTERNATIONAL, INC.

155 Hardman Avenue South, South St. Paul, MN 55075

fax: (888) 552-8661 • phone: (800) 899-5444

www.holtkoetter.com

e-mail: customerservice@holtkoetter.com

These low-voltage halogen floor lamps come fully assembled.

Glass Shield and Bulb Replacement Instructions

1. Be sure to turn the lamp off and allow it to cool before attempting glass shield and/or bulb replacement.
2. The glass shield (A) is held in place with a metal spring clip (B). To remove this clip, hold each side and pull firmly from the socket. This will release the glass shield. (Skip to Step 5 unless replacing bulb).
3. To remove the old bulb (C), pull it straight out of the socket. For a replacement bulb, use only Osram Halostar ECO/IRC, max. 60W. (Order Code: 9250*060-HSTAR.)
4. Install the new bulb, being careful not to touch the bulb envelope with your bare hands. Hold the bulb at the porcelain grip and push it straight into the socket.
5. Press the metal spring clip over the shield and onto the socket, making sure that both sides snap into place.

UL requires the following safety instructions:

Lighted lamp is HOT! **WARNING:** Improper use of this fixture may increase the risk of FIRE, ELECTRICAL SHOCK, EXPOSURE TO EXCESSIVE RADIATION or INJURY TO PERSONS.

IN ORDER TO REDUCE THESE RISKS, PLEASE FOLLOW THESE SAFETY INSTRUCTIONS:

1. Before replacing bulb, UNPLUG lamp and allow bulb to cool.
2. DO NOT touch hot glass shield or operate lamp with a missing glass shield.
3. Keep lamp away from materials that may burn.
4. Do not remain in light if skin feels warm or look directly at a lighted bulb.
5. Use of the Osram bulb provided with this lamp prevents exposure to excessive UV Radiation. Use of any other bulb may cause a risk of exposure to excessive UV Radiation. Use of any other bulb may also cause a risk of overheating or may rupture the bulb.

Care Instructions

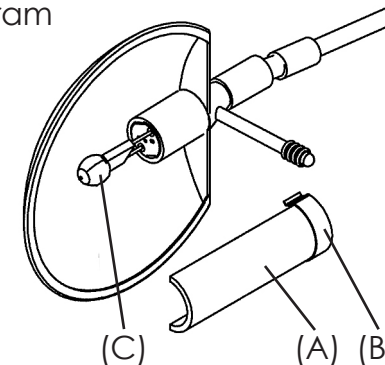
Use only a soft, dry cloth to clean. If necessary, a slightly damp, soft cloth can be used to spot clean. Do not use common household cleaners on lamps or fixtures, as the lacquer on the outside of the brass may be damaged as a result.

Major lamp parts manufactured in Germany by Holtkötter Leuchten GmbH.
Bulbs manufactured in Germany by Osram GmbH.
Final assembly by Holtkötter International, Inc. in South St. Paul, MN.

ASSEMBLY INSTRUCTIONS FOR Bernie Turbo Series Floor Lamp No. 6470/1



Diagram



Holtkötter® and Holtkötter Leuchten® are registered trademarks of Holtkötter International, Inc. All Rights Reserved.

© Holtkötter International, Inc.